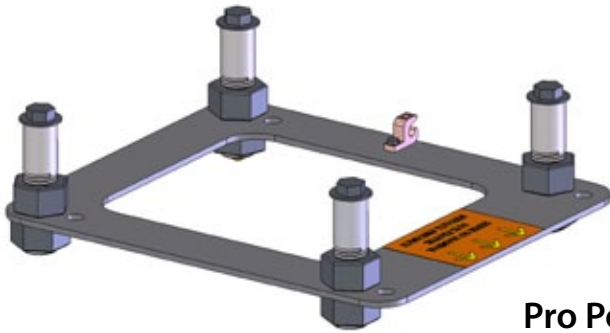


AT-Series Anchor Instructions



PART #: F-04CAJP

Pro Pool Lift - Weight Capacity (450 LBS) / Max Setback (19")
Ranger Lift - Weight Capacity (350 LBS) / Max Setback (19")
Pathfinder Lift - Weight Capacity (300 LBS) / Max Setback (16")

MANDATORY – LEAVE THIS MANUAL WITH LIFT OWNER



Read & Follow All Instructions
Lift safety can only be ensured if the lift is installed
and operated according to these instructions



NEVER permit children to play on or around the lift.
Do not allow children to use the lift without adult supervision.



NEVER apply direct water pressure to the electronics



NEVER use the lift with a dry pool



For safety reasons, **NEVER** swim alone

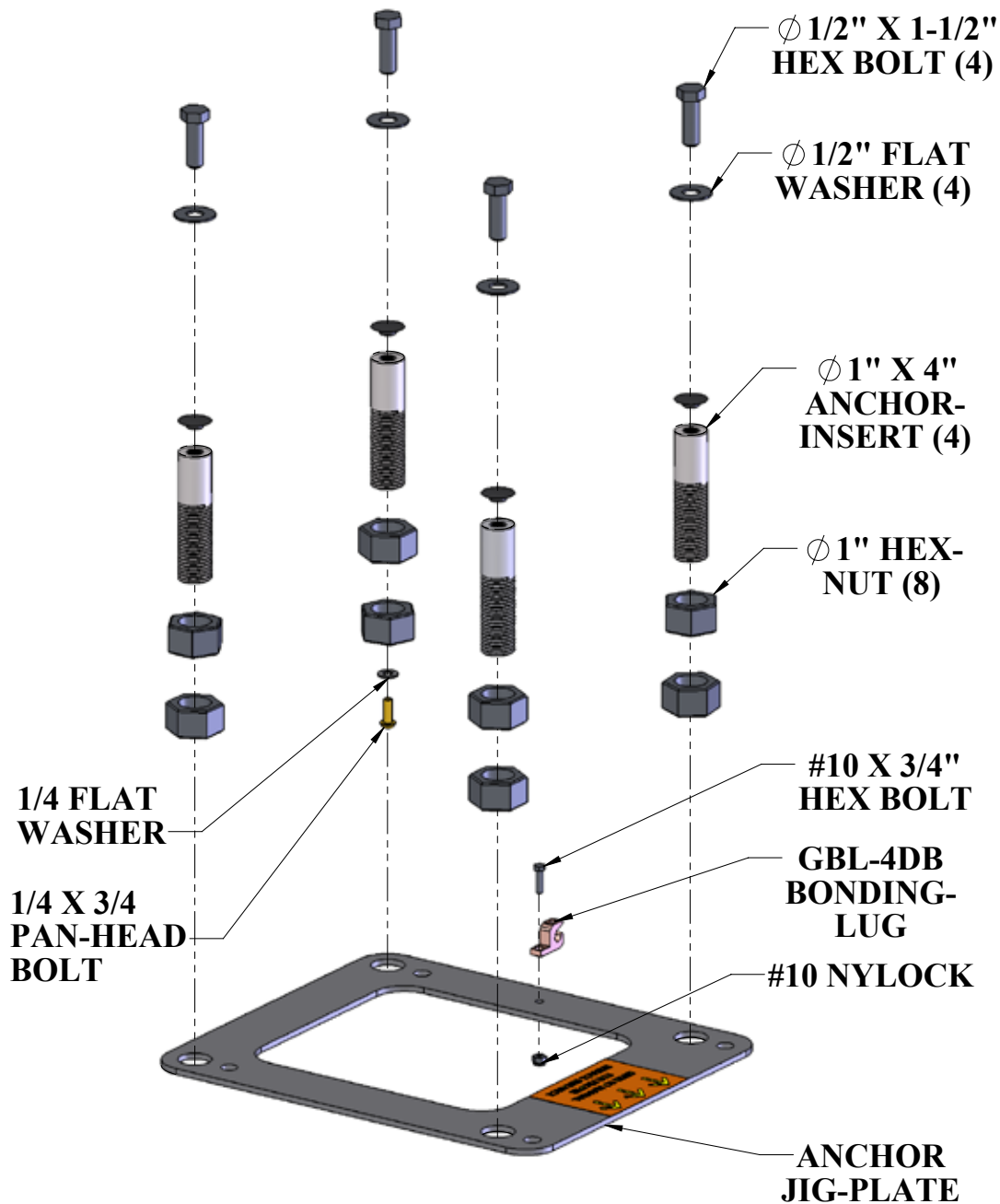
9889 Garrymore Ln
Missoula, MT 59808
888-687-3552 | +1-406-549-0769
aquacreek.com



SAVE a copy of these instructions

The AT-Anchor Assembly

The AT ANCHOR ASSEMBLY will come fully disassembled. Review the diagram below to familiarize yourself with the components before beginning the installation. The anchor assembly is used in different ways, depending on your type of installation. For instance the ANCHOR JIG-PLATE can be used as a template to mark the holes for retro-fitting, to hold the ANCHOR INSERTS at the proper spacing as the epoxy cures (see RETROFIT INSTALLATION), or as a permanent part of the installed/embedded assembly.



Anchor Installation: Core-Drill Retro-Fit

NOTE: FOR DECKS 6" THICK, 2500PSI STRENGTH MINIMUM

Required Tools and Materials:

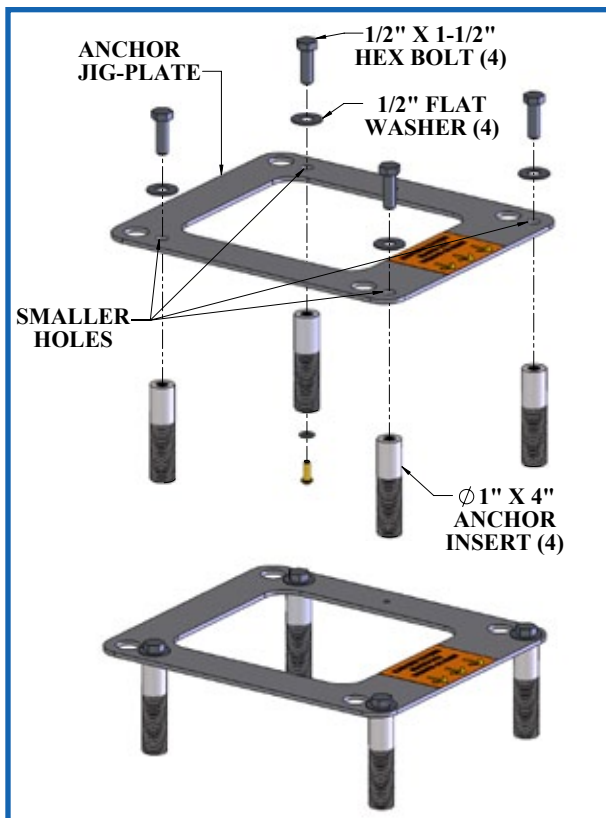
- Core drill and 1-1/2" core drill bit
- Tape Measure
- Marking Pen suitable for writing on concrete
- Hammer
- Cold Chisel
- Torpedo Level
- High Strength 2 part construction epoxy*
- Masking Tape
- Black electrical tape (Optional)



*Aqua Creek recommends either Hilti™ Brand HIT RE-500-SD or Simpson™ brand SET-XP or equivalent

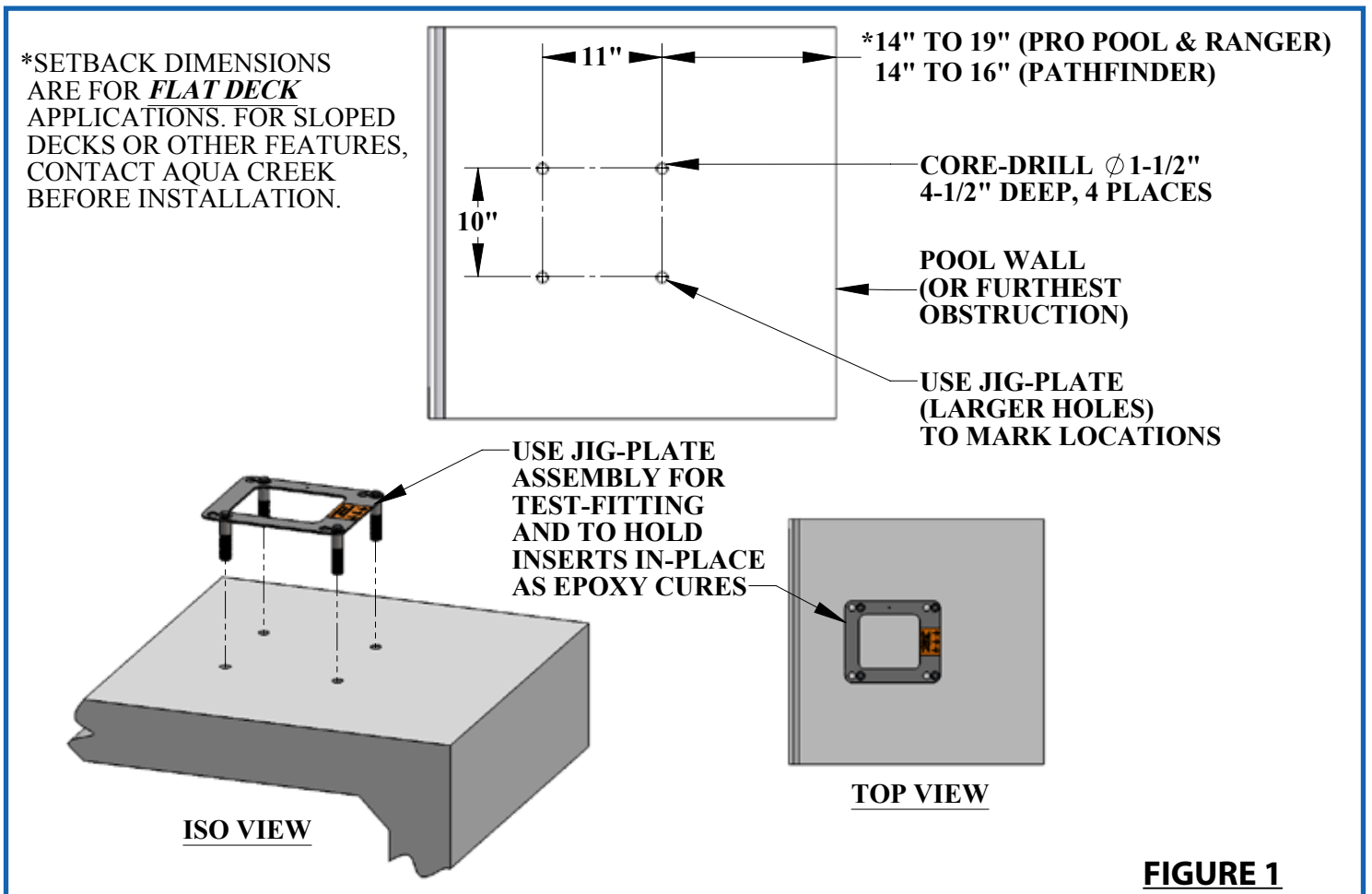
1. Locate the anchor plate, four (4) anchor inserts with nuts and mounting hardware. (See picture above)
2. Using the larger holes in the anchor plate as a template, mark the four hole locations with a marking pen on the pool deck. Verify that the CENTER LINE of the front anchors are no more than 19" from the pool edge, for Pro Pool & Ranger lifts and 16" for Pathfinder lifts. See FIGURE 1, page 4
3. Using the core drill and the 1-1/2" core drill bit, drill out the four hole locations marked on the pool deck to a depth of about 4 1/2".
 - › NOTE: You can use black electrical tape on the end of the drill bit as a visual marker to indicate the proper depth that you need to drill to.

› NOTE: Depending on your local grounding requirements, you may need to drill one hole larger than the others so that you can ground at least one of the anchor inserts. In some cases saw cutting a portion of the deck out completely might be required. In this case, follow the "Saw Cutting Retro-Fit Instructions".



4. Remove the core from the holes using a hammer and chisel. The holes should be completely dry and clear of any debris before installing the anchors into them.
5. Remove the nuts from the threaded anchor inserts and the black protective cover from the end of the anchor insert exposing the internal threads that will accept the mounting hardware.
6. Using the smaller holes in the anchor plate, thread the mounting hardware through the anchor plate holes and into the ends of the four anchor inserts so that the tops of the inserts are flush with the BOTTOM of the plate (see diagram on left). IMPORTANT: Use the enclosed packet of anti-seize on the threads of the hardware to prevent the hardware from seizing in the anchor inserts.
 - › NOTE: It is recommended that you apply tape to the bottom of the anchor plate around the holes so that when and if the two part epoxy oozes out of the holes that it does not secure the anchor plate to the pool deck.

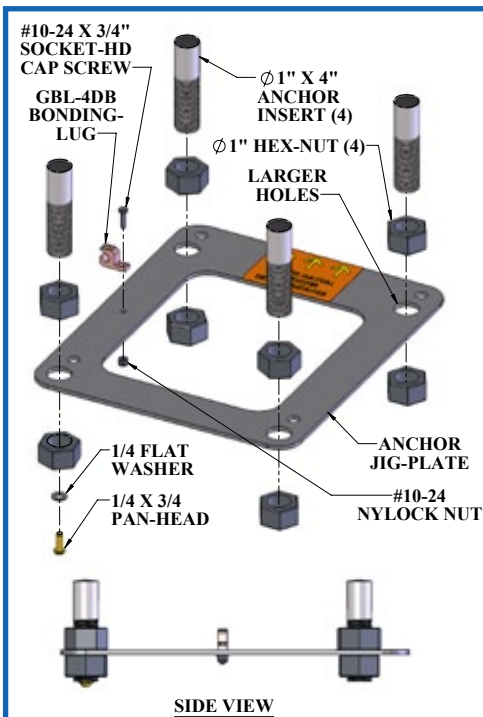
7. Allow for a way to bond at least one of the anchor inserts according to your local code requirements. This is typically accomplished with 8-AWG solid-copper wire attached to the pool's bonding grid. For more information see NEC Article 680.26.
8. Before putting epoxy into the holes and setting the anchor inserts, you will want to test fit the anchor inserts in the pre-drilled holes first to make sure they line up properly. You can do this by picking up the anchor plate with the four (4) anchor inserts attached to the underside and carefully place them into the four holes drilled in the deck. Using a torpedo level on the plate, verify that you can level up the anchor system. If they do not line up you may have to enlarge your holes.
9. After verifying that the anchor inserts line up with the holes properly and you can level the anchor assembly, remove the anchor assembly and fill each hole in the pool deck at least half full of two part construction epoxy (not included). *Aqua Creek recommends either Hilti™ Brand HIT RE-500-SD or Simpson™ brand SET-XP or equivalent.*
10. Pick up the anchor assembly with the four (4) anchor inserts attached to the underside and carefully place them into the four holes drilled in the deck. As you place the anchor inserts that are attached to the anchor plate, wiggle the anchor system a little to make sure the epoxy gets on all sides of the anchor inserts.
11. Once the anchor inserts are placed into the holes, use a small torpedo level on the anchor plate to make sure you are level and plumb.
12. Allow the epoxy to set up according to the manufacturers recommendations and remove the hardware and the anchor plate. You can now safely mount the lift to the anchor system using the same hardware you used to mount the anchor inserts to the underside of the anchor plate. The anchor plate can be recycled or used for installing a second set of anchors in another location.



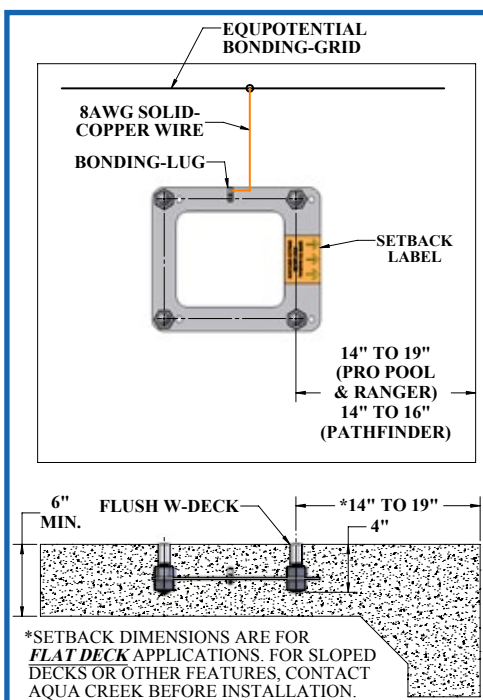
Anchor Installation: Core-Drill Retro-Fit

Required Tools and Materials:

- Concrete saw with Diamond blade
- Tape Measure
- 4' long Straight edge or chalk line
- Sledge Hammer
- Cold Chisel
- Torpedo Level
- Sting line
- Concrete and Concrete tools
- #4 Rebar



1. Locate the anchor plate, four (4) anchor inserts with nuts and mounting hardware). (See picture above).
2. Mark out a section of the pool deck that you are removing using a chalk line or straight edge and a marker. You should plan on removing at least a three foot by three foot section.
3. Using the saw with the diamond blade, make your cuts along the lines that you marked.
4. Using the sledge hammer, break up the concrete within the area that you cut and remove the pieces.
5. After you have removed the portion of the deck, verify that your new deck will be able to be at least 6 inches deep.
6. Remove ONE of the nuts from each of the anchor inserts and place the anchor inserts through the larger holes in the anchor plate. Thread the nut back on the other side of the anchor insert so that the anchor plate is sandwiched between the nuts. (See diagram on left).
7. Install rebar in the open area of the deck. Tie the rebar into the existing deck if possible.
8. Set the anchor system in place making sure that the center line of the front anchor inserts are no more than 19" away from the pools edge for Pro Pool and Ranger lifts and 16" away for Pathfinder lifts.
9. Using the string line or a straight edge, make sure the top of each anchor body is level and flush with the FINISHED deck surface. Each anchor body can be adjusted individually by turning the nuts with a large wrench.
10. Bond the anchor system using the bonding lug on the anchor plate. The anchor should be bonded to the pool's bonding-grid according to your local code requirements. (See NEC Article 680.26).
11. Pour your concrete and finish the pool deck surface.
12. Once the concrete has cured, install the lift by aligning the holes in the lifts base with the anchors installed in the deck. Secure the lift to the deck using the stainless steel hardware that comes with.
 - › **NOTE: Use Anti Seize on the hardware to prevent the hardware from seizing in the anchor inserts.**



Anchor Installation: New Construction

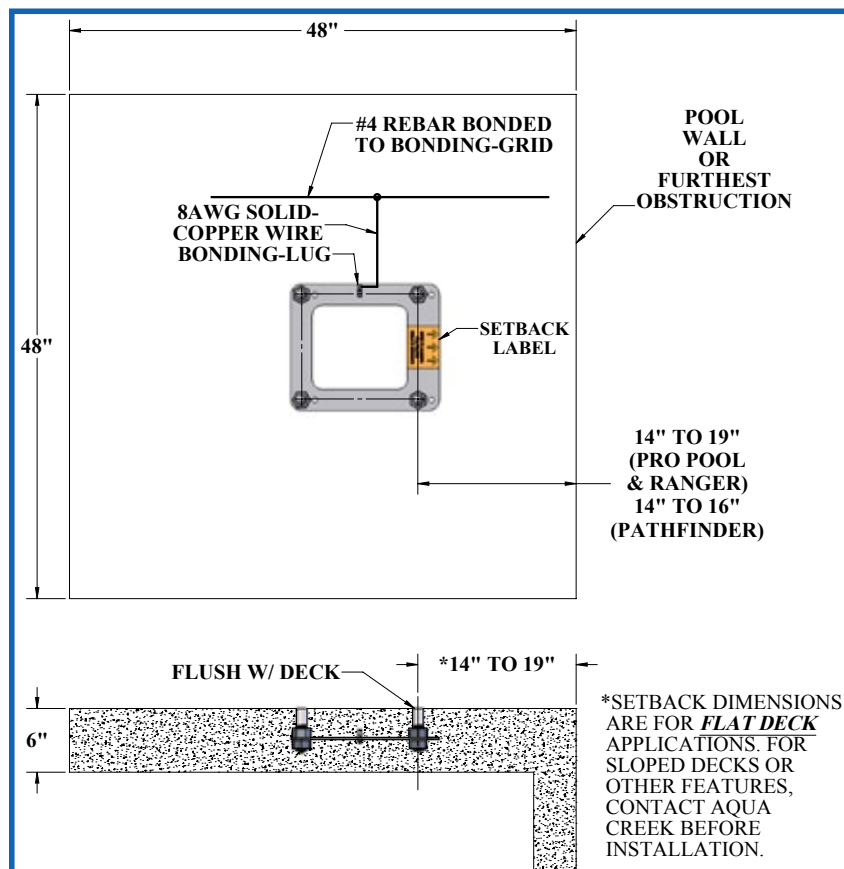
For installations where a new deck is being poured, or where a dedicated pad is being poured just for the pool lift, the concrete must satisfy the requirements outlined on page 4. For convenience here are the requirements again;

YOUR POOL DECK MUST BE AT LEAST 4-Feet Long By 4-Feet Wide By 6-Inches Thick. It Must Be Reinforced With 5 Sticks of #4 Rebar E-W, 2" Clear (Min) From The Top And Bottom Of The Footing.

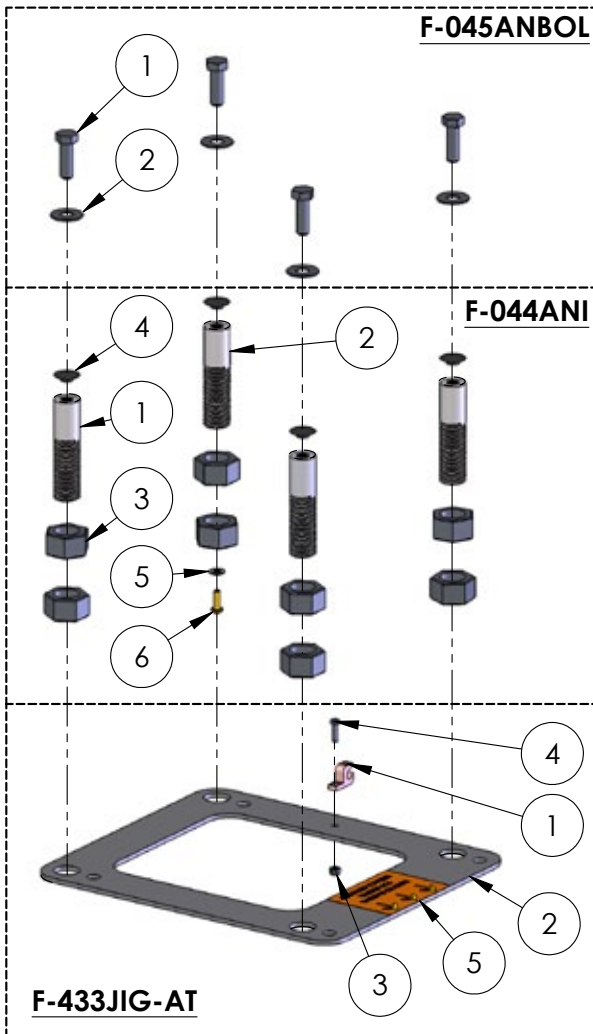
Obviously you may make the deck larger than this – which is almost always the case when putting in a deck that surrounds the pool. Note that the entire deck does not need to be 6" thick, but that the area around the installed lift, 4' by 4', should be 6" thick at a minimum. The rest of the deck may be thinner – 4" is typical – as long as it is 6" thick around the lift.

The new deck should be reinforced with five (5) sticks of #4 rebar with a minimum of 2" clearance top or bottom. Our minimum requirement is that the 4' by 4' section be reinforced accordingly, but it is good practice to extend the rebar grid over the entire deck. Commonly, the rebar grid is used for grounding/bonding also. Bonding of the lift can usually be accomplished with a length of bare, 8 AWG solid, copper wire, connected to a piece of the rebar with an approved fitting and then connected to the grounding lug on the anchor plate. Note; this is only effective when the rebar grid itself has been bonded (attached to the pool's equipotential bonding grid with 8-AWG solid-copper wire). See NEC Article 680.26.

CHECK YOUR LOCAL ELECTRICAL CODE: Bonding Requirements for Pool Equipment. Always Bond The Unit Per Local Electrical Codes.



F-04CAJP: AT Anchor Assembly Parts List



ITEM #	QTY	PART #	DESCRIPTION
1	4	BOLT, 1/2-13 X 1 1/2 HCS	1/2"-13 X 1 1/2" HEX BOLT, SS
2	4	FLAT WASHER, 1/2 SS	1/2" FLAT WASHER, SS
3	1	ANTI SIEZE, PACKET, .75	ANTI SIEZE PACKET, 5 GRAMS

ITEM #	QTY	PART #	DESCRIPTION
1	3	P-7200ANB	PRO POOL ANCHOR INSERT
2	1	P-7200ANB-BB	PRO POOL BONDABLE ANCHOR INSERT
3	8	NUT, 1, ZINC, HEX	1"-8 HEX NUT, ZINC
4	4	PIP-1/2-TAB	THREAD PROTECTOR CAP, BLACK
5	1	FLAT WASHER, 1/4 SS	1/4" FLAT WASHER, SS
6	1	BOLT, 1/4 X 3/4 PAN-HD BRASS	1/4"-20 X 3/4" PAN-HEAD, BRASS

ITEM #	QTY	PART #	DESCRIPTION
1	1	GBL-4DB	IN GROUND BONDING LUG
2	1	P-004CPPJP-A	JIG PLATE FOR AT STYLE LIFTS
3	1	NYLOCK, 10-24	#10-24 NYLOCK NUT, SS
4	1	BOLT, 10-24 X 3/4 SHCS	#10-24 X 3/4" SOC-HD CAP-SCREW, SS
5	1	LABEL #97	REFER TO MANUAL FOR PROPER SETBACK