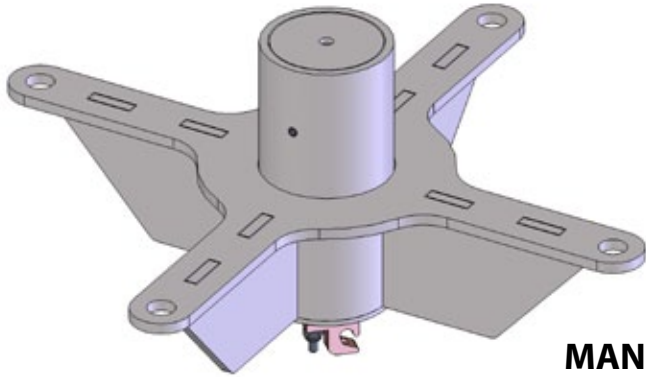


EZ™ Wood Deck Anchor



PART #: F-036EZWD

MANDATORY – LEAVE THIS MANUAL WITH LIFT OWNER



Read & follow all instructions
Lift safety can only be ensured if the lift is installed
and operated according to these instructions



NEVER permit children to play on or around the lift
Do not allow children to use the lift without adult supervision



NEVER apply direct water pressure to the electronics



NEVER use the lift with a dry pool



For safety reasons, **NEVER** swim alone

9889 Garrymore Ln
Missoula, MT 59808
888-687-3552 | +1-406-549-0769
aquacreek.com



SAVE a copy of these instructions

Packing List & Installation Instructions

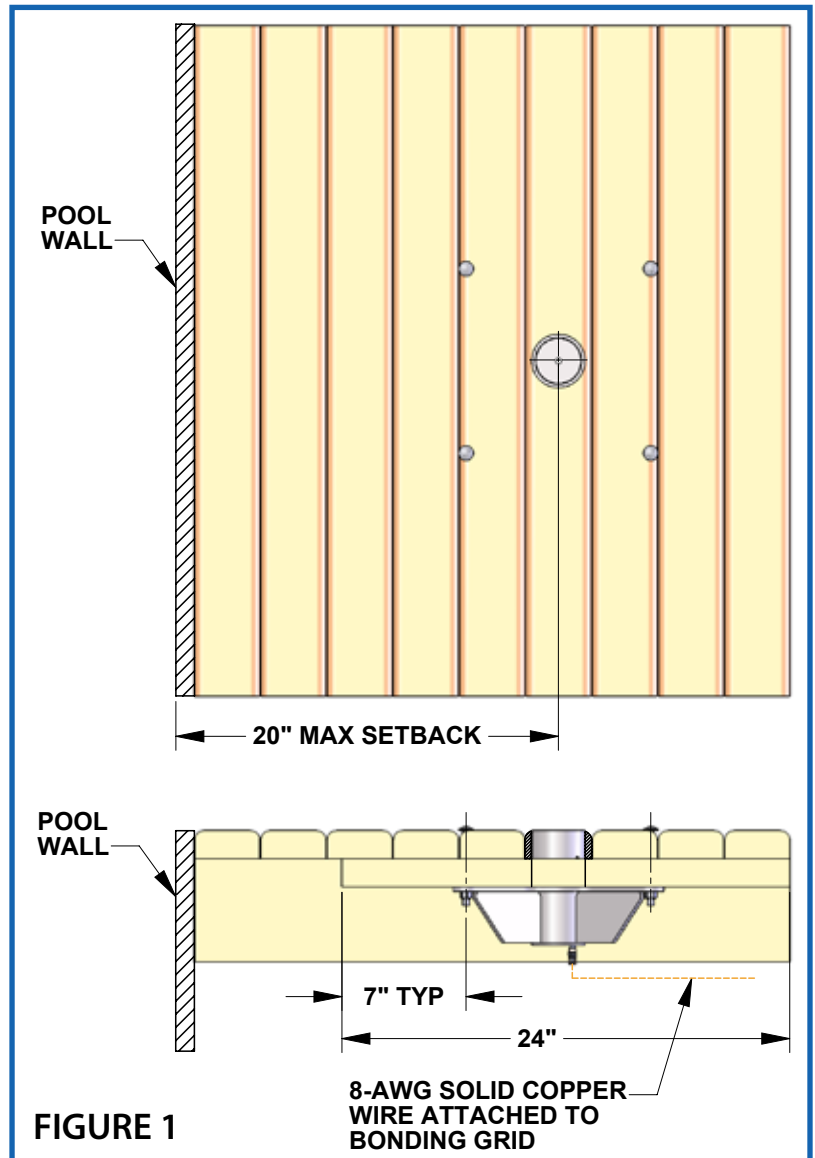
PACKING LIST:

QTY	DESCRIPTION
1	WOOD DECK ANCHOR
1	TAMPER RESISTANT LID

INSTALLATION INSTRUCTIONS:

1. Find the desired location for the lift. The setback (the distance from the center of the anchor to the pool wall) must be 20" or less as shown in FIGURE 1.
2. Reinforce the deck using 2X6 material as shown in FIGURE 2, FIGURE 3 and FIGURE 4. The reinforcing boards should be about 2-feet long so they extend at least 7" past the mounting bolts on each side as shown in FIGURE 1.
3. Drill a 3" hole through the decking at the desired location for the body of the anchor.
4. Place the WOOD DECK ANCHOR in the 3" hole (upside down) and spin it until the four (4) mounting holes line up in a square pattern parallel with the joists & reinforcing boards as shown in FIGURE 1. Mark the four (4) mounting-bolt hole locations. Remove the anchor.
5. Drill 7/16" holes at the marked locations. Make sure to drill straight down, perpendicular to the deck, all the way through the deck and the reinforcing boards.
6. Install the WOOD DECK ANCHOR using four (4) 3/8" x 4" carriage bolts and 3/8" locking nuts (not included).

NOTE: For thick decks the bolts might need to be longer.



***NOTE:** Bond anchor to bonding grid with 8-AWG solid copper wire per local electrical codes as required.

FIGURE 2

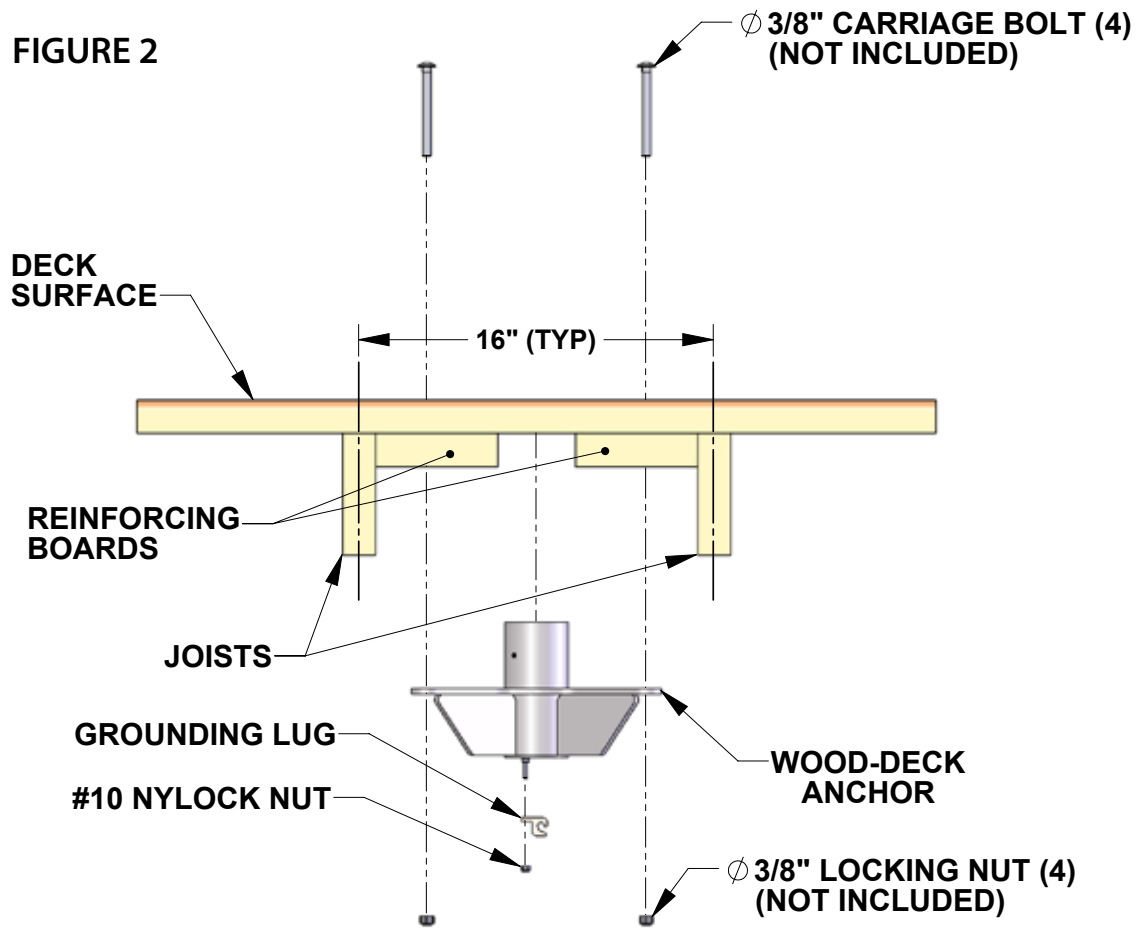
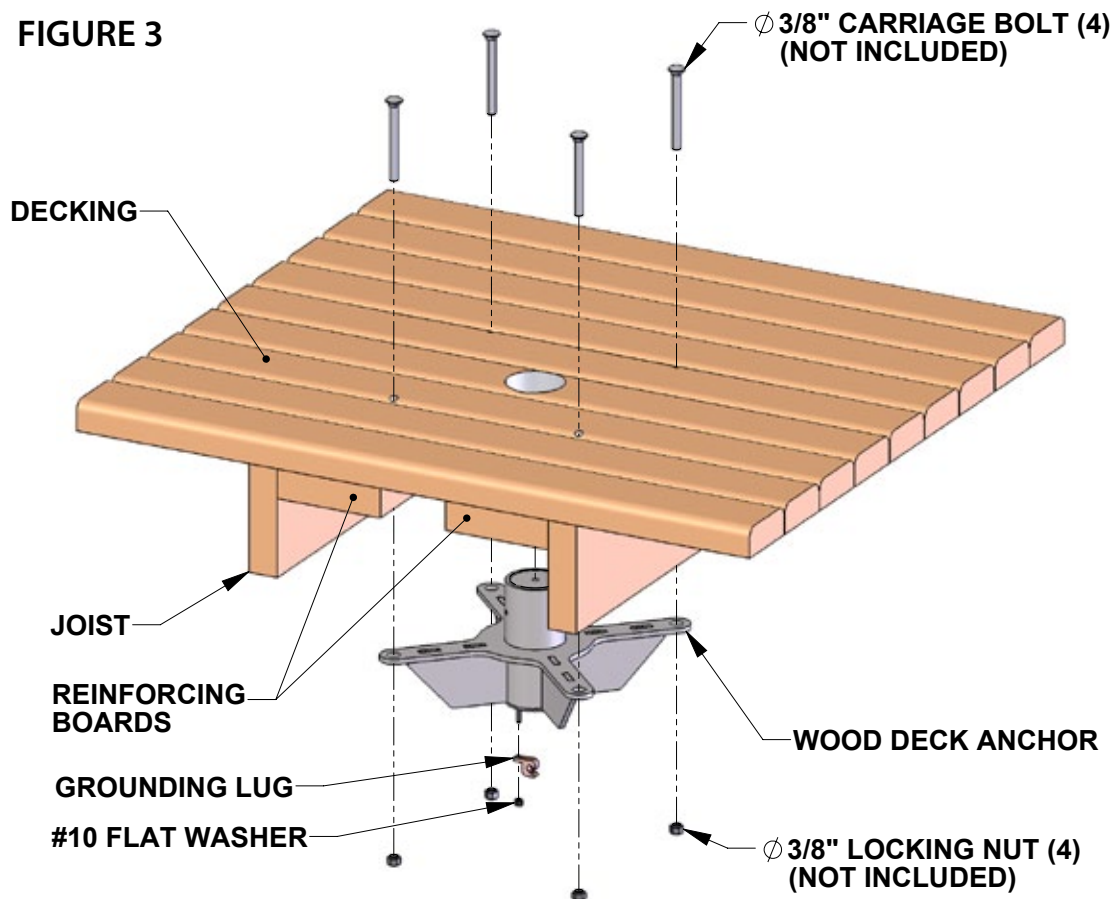


FIGURE 3



**REINFORCING
BOARDS**

JOISTS

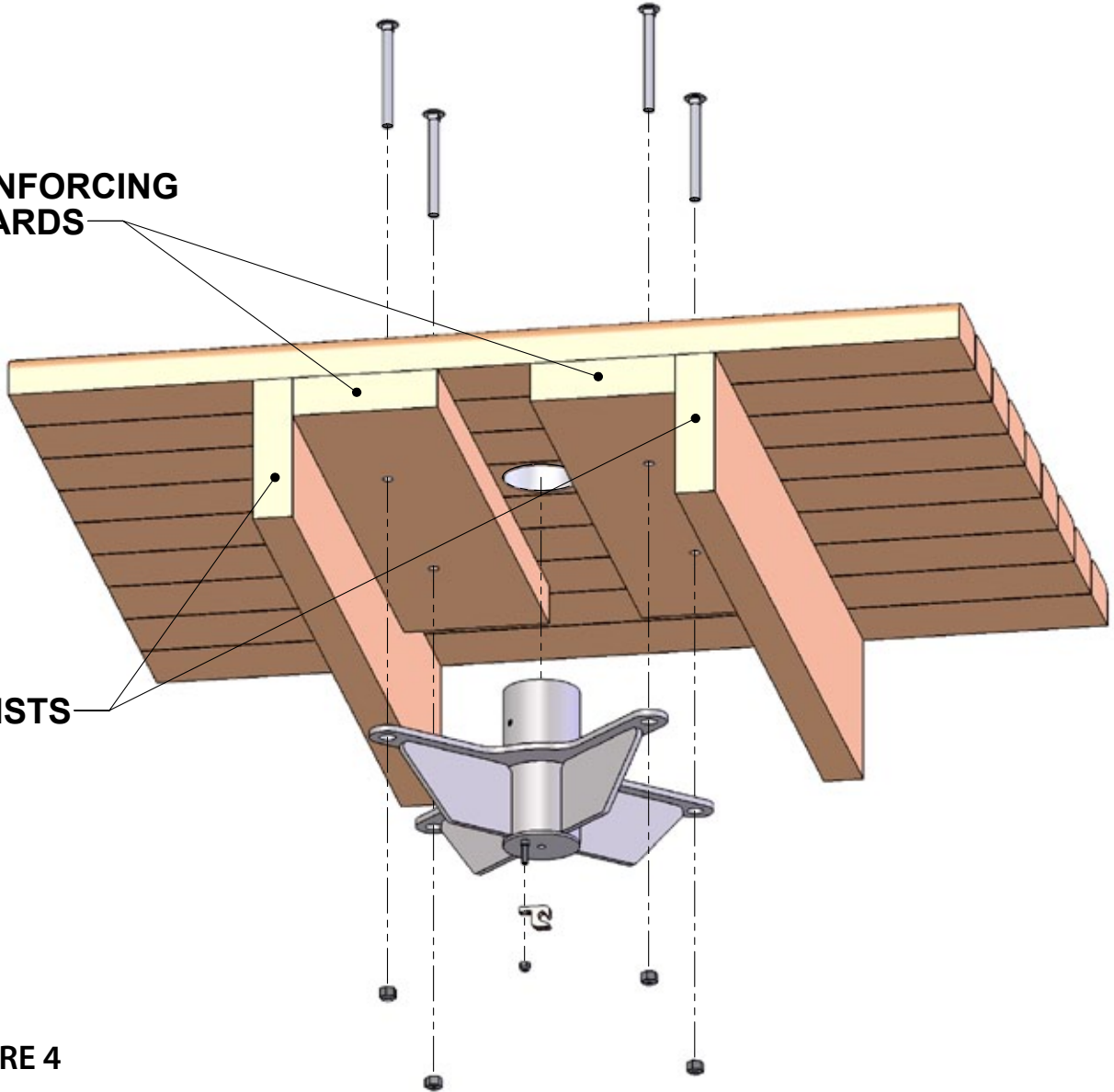


FIGURE 4