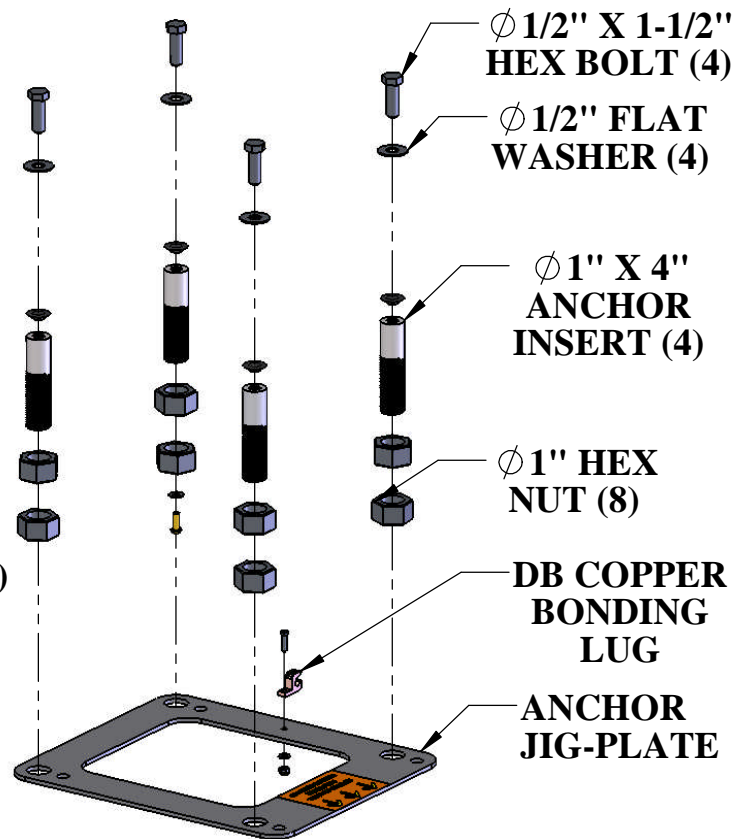
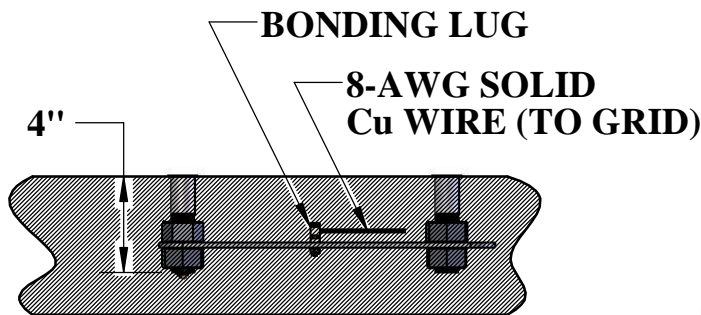
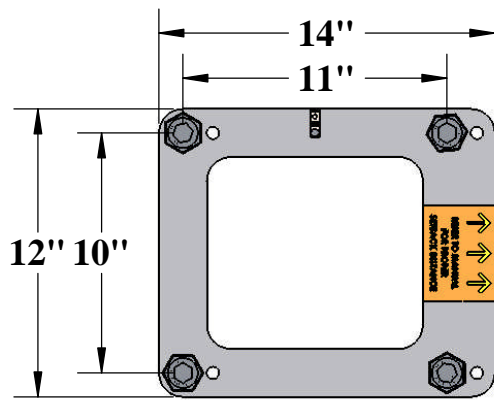


PATHFINDER ANCHOR SPEC



SPECIFICATIONS:

THE PATHFINDER ANCHOR JIG-PLATE ASSEMBLY CAN BE USED FOR EXISTING OR NEW CONSTRUCTION POOL & SPA DECKS. FOR NEW CONSTRUCTION THE ANCHOR JIG-PLATE IS EMBEDDED IN THE CONCRETE DECK, AND IS BONDED USING A SOLID-COPPER DIRECT-BURIAL TYPE LUG. FOR EXISTING DECKS THE JIG-PLATE ACTS AS A TEMPLATE AND A HOLDING FIXTURE. SEE THE LIFT'S OWNERS MANUAL FOR INSTALLATION INSTRUCTIONS & DIMENSIONS.



9889 GARRYMORE LANE
 MISSOULA, MT 59808
 (406) 549-0769
 FAX (406) 549-2602

NOTE:
 *SPECIFICATIONS ARE SUBJECT TO CHANGE WITHOUT NOTICE

| | | |
|-----------|--------------|---------------|
| PRODUCT: | F-04CAJP16 | |
| DWG #: | F-04CAJP16-1 | |
| SCALE: | 1:8 | DATE: 6/23/14 |
| DRAWN BY: | KR | REVISION: B |