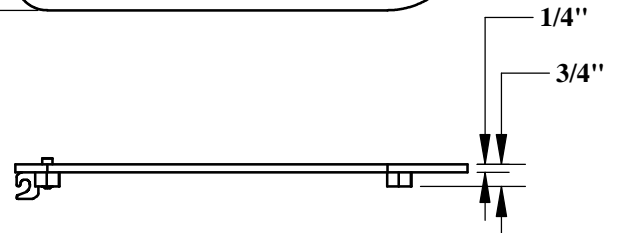
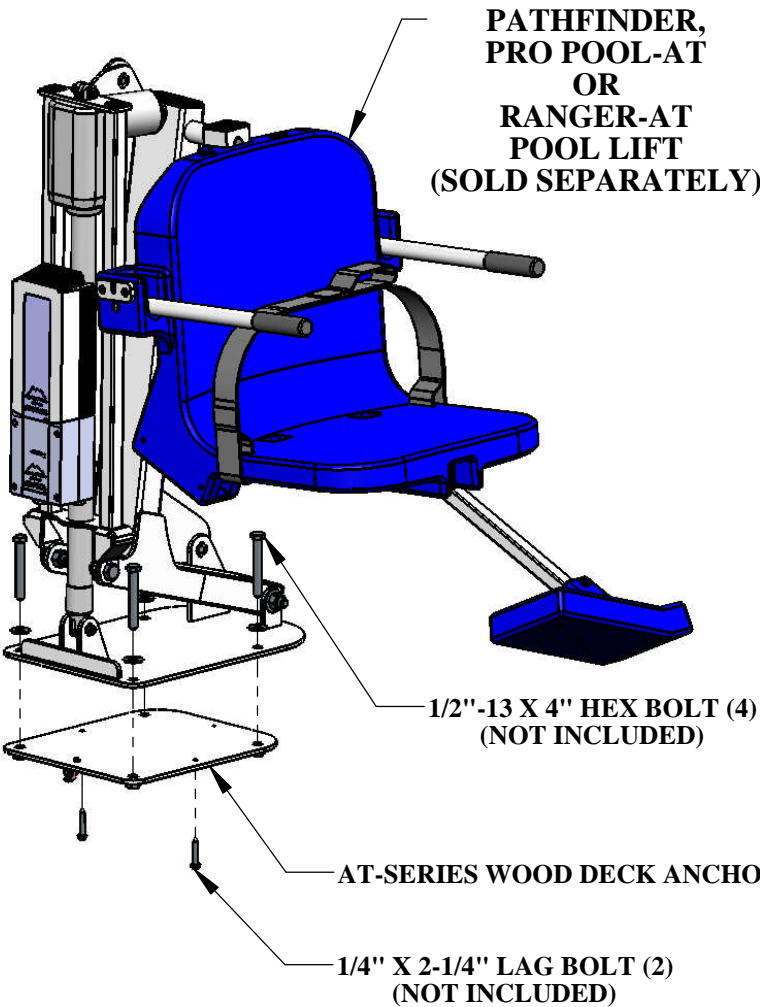
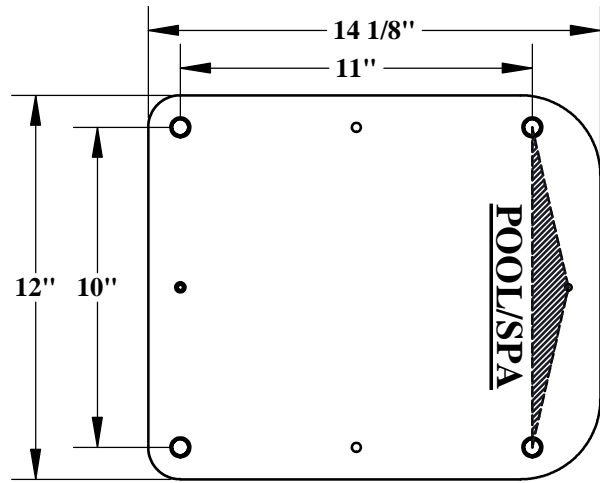
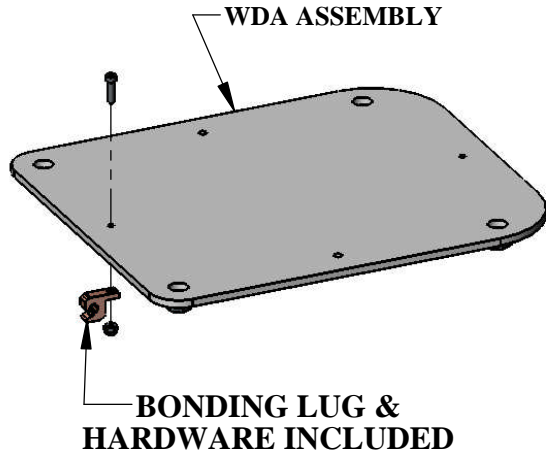


AT-SERIES WOOD DECK ANCHOR



SPECIFICATIONS

MATERIALS: TYPE 304 SS

WEIGHT: 12 LBS

FINISH: OFF-WHITE POLYESTER (POWDER-COATED)

FEATURES: CAPTIVE NUTS & LAG-BOLTS ALLOW FOR WDA TO STAY IN PLACE WHEN LIFT IS REMOVED.

9889 GARRY MORE LANE
 MISSOULA, MT 59808
 (406) 549-0769
 FAX (406) 549-2602

NOTE:
 *SPECIFICATIONS ARE SUBJECT TO CHANGE WITHOUT NOTICE
 *ALL DIMENSIONS ARE IN INCHES

PRODUCT:	F-40220-AT1	
DWG #:	F-40220-AT1-1	
SCALE:	1:6	DATE: 5/22/14
DRAWN BY:	DS	REVISION: B