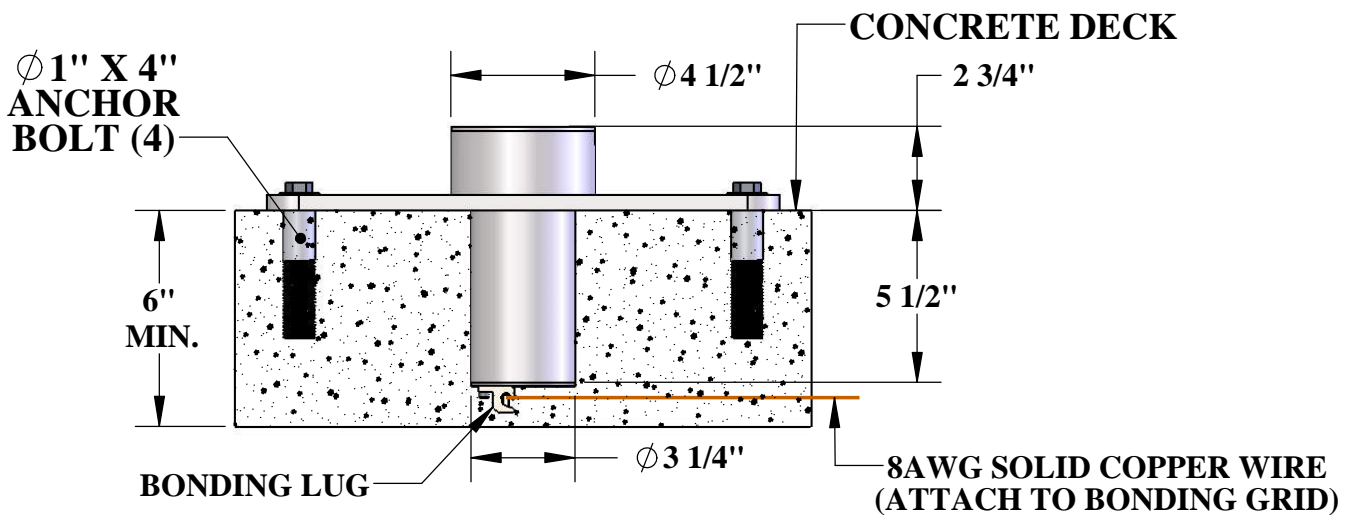
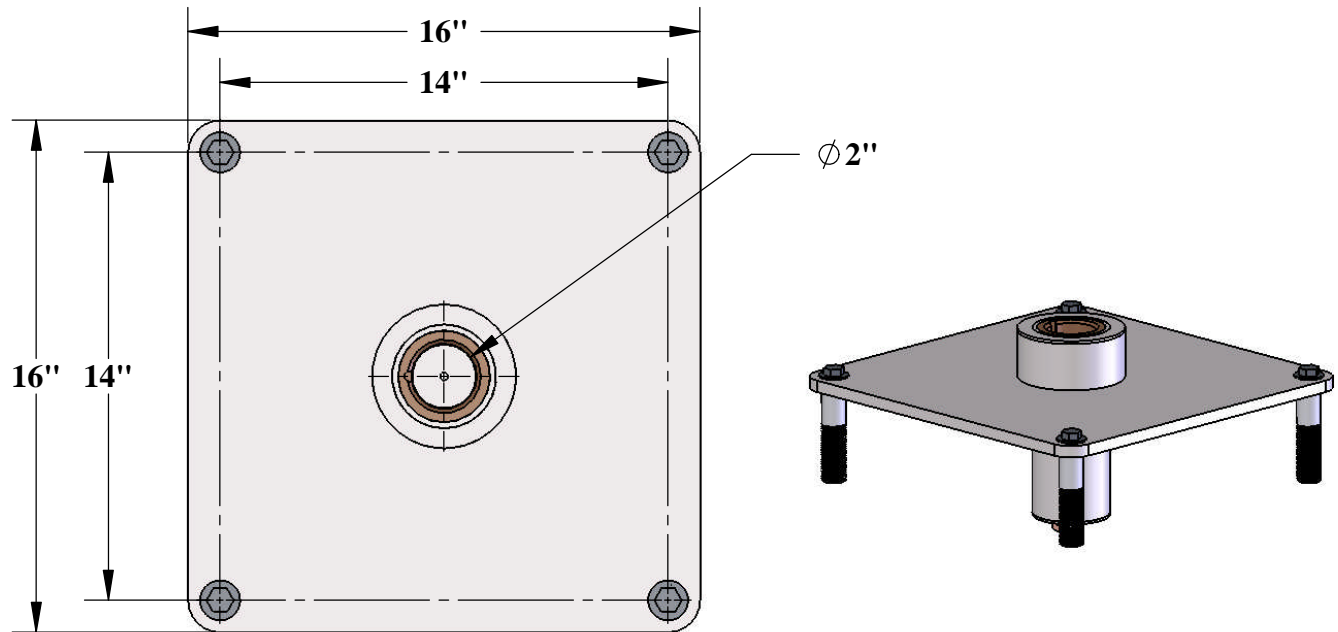


REVOLUTION DECK ANCHOR



SPECIFICATIONS:

THE AQUA CREEK PRODUCTS' REVOLUTION DECK ANCHOR SHALL BE DESIGNED TO BE INSTALLED IN A MINIMUM 6" THICK CONCRETE DECK. IT SHALL BE ANCHORED WITH FOUR (4) 1" DIAMETER X 4" LONG ANCHOR BOLTS AT 14" OC. THE DECK ANCHOR SHALL BE MADE ENTIRELY FROM TYPE 304 STAINLESS STEEL, WITH A BRONZE ANCHOR SLEEVE. IT SHALL HAVE A RATED CAPACITY OF 500LBS. THE REVOLUTION DECK ANCHOR SHALL BE SUPPLIED WITH FOUR (4) ANCHOR BOLTS AND MOUNTING HARDWARE. THE REVOLUTION DECK ANCHOR SHALL CARRY A LIMITED LIFETIME WARRANTY.



9889 GARRYMORE LANE
 MISSOULA, MT 59808
 (406) 549-0769
 FAX (406) 549-2602

NOTE:
 *SPECIFICATIONS ARE SUBJECT TO CHANGE WITHOUT NOTICE

PRODUCT:	FC-77RLA-B	
DWG #:	FC-77RLA-B-1	
SCALE:	1:6	DATE: 10/5/12
DRAWN BY:	DS	REVISION: B