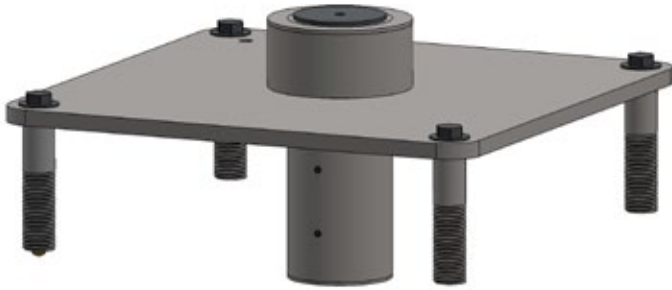


# Revolution™ Deck Anchor



**PART #: FC-77RLA-B**

**MANDATORY – LEAVE THIS MANUAL WITH LIFT OWNER**



Read & follow all instructions  
Lift safety can only be ensured if the lift is installed  
and operated according to these instructions



**NEVER** permit children to play on or around the lift  
Do not allow children to use the lift without adult supervision



**NEVER** apply direct water pressure to the electronics



**NEVER** use the lift with a dry pool



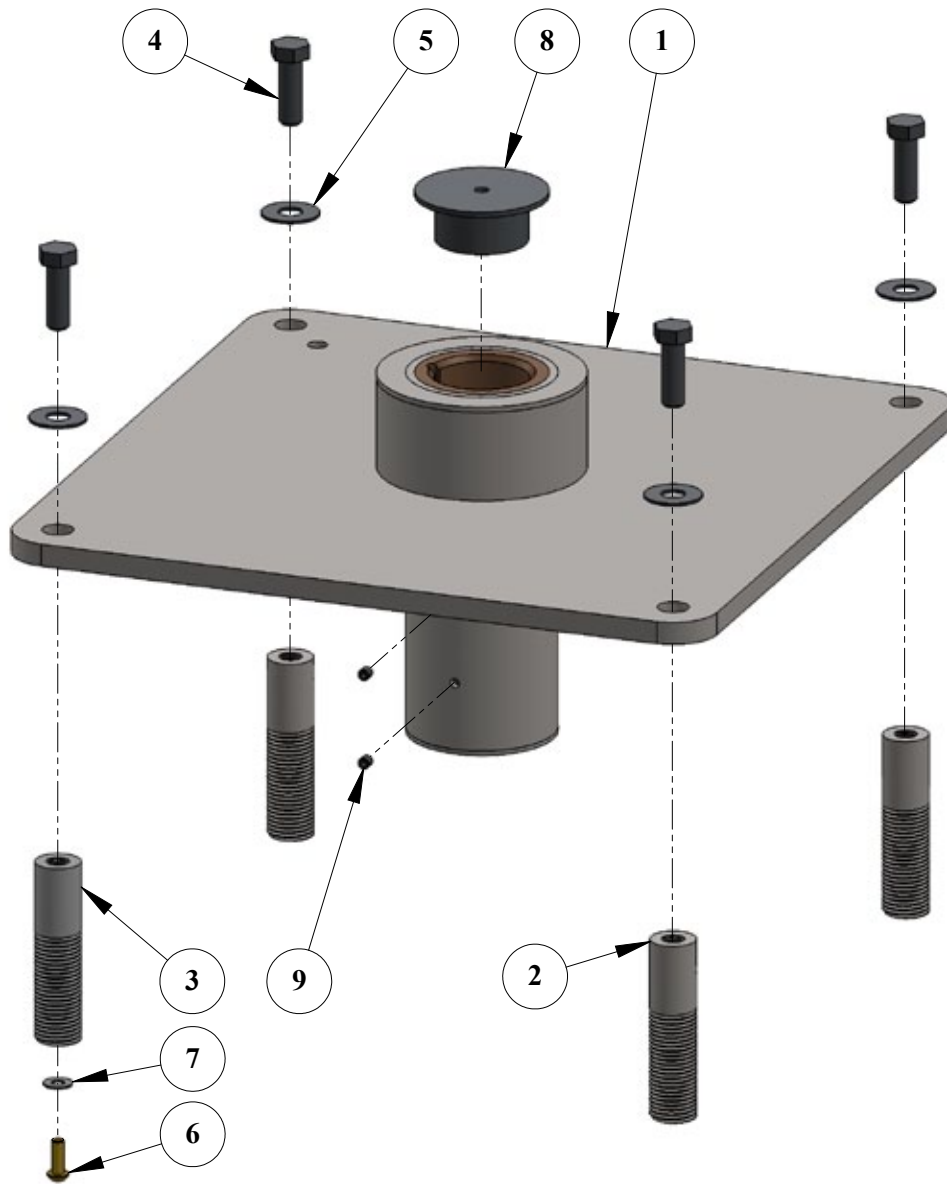
For safety reasons, **NEVER** swim alone

9889 Garrymore Ln  
Missoula, MT 59808  
888-687-3552 | +1-406-549-0769  
aquacreek.com



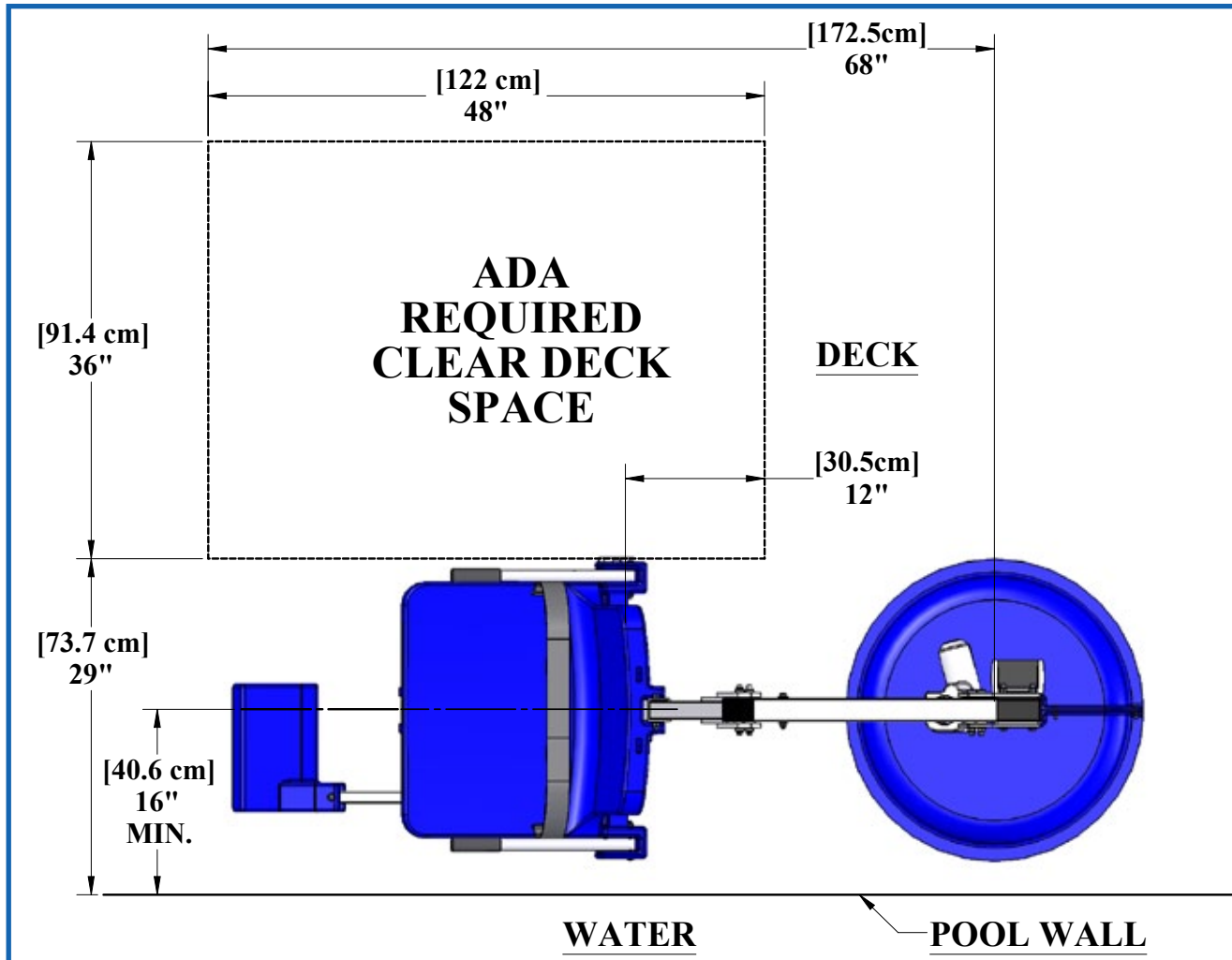
**SAVE** a copy of these instructions

# Parts List



| ITEM # | QTY | PART #                           | DESCRIPTION                    |
|--------|-----|----------------------------------|--------------------------------|
| 1      | 1   | RCA-100-20                       | REV DECK ANCHOR ASSEMBLY       |
| 2      | 3   | P-7200ANB                        | 1" X 4" ANCHOR INSERT          |
| 3      | 1   | P-7200ANB-BB                     | 1" X 4" BONDABLE ANCHOR INSERT |
| 4      | 4   | BOLT, 1/2-13 X 1 1/2 HCS         | 1/2"-13 X 1 1/2" HEX BOLT, SS  |
| 5      | 4   | FLAT WASHER, 1/2 SS              | 1/2" FLAT WASHER, SS           |
| 6      | 1   | BOLT, 1/4-20 X 3/4 BRASS PANHEAD | 1/4"-20 X 3/4" PAN-HEAD, BRASS |
| 7      | 1   | FLAT WASHER, 1/4 SS              | 1/4" FLAT WASHER, SS           |
| 8      | 1   | F-710RLA-CAP                     | REV 8" ANCHOR CAP              |
| 9      | 2   | SET SCREW, 1/4 X 1/4 SS          | 1/4" X 1/4" SET SCREW, SS      |

# Lift Location: ADA Guidelines



Before installing the Revolution™ Lift it will be necessary to select a location for the anchor. The Revolution™ Lifts versatility allows it to be installed in a wide variety of locations, but the owner/installer should be aware of the requirements of the Americans with Disabilities Act (ADA) with concern to lift installations. The diagram above shows an example of an ADA compliant installation, which incorporates the following ADA rules in order to be compliant;

- **SEAT LOCATION:** In the raised position, the centerline of the seat shall be located over the deck and 16 inches [406mm] minimum from the edge of the pool (pool wall). The deck surface between the centerline of the seat and the pool edge shall have a slope not greater than 1:48.
- **CLEAR DECK SPACE:** On the side of the seat opposite the water, a clear deck space shall be provided parallel with the seat. The space shall be 36 inches [914mm] wide minimum and shall extend forward 48 inches [1219mm] from a line located 12 inches [305mm] behind the rear edge of the seat. The clear deck space shall have a slope not greater than 1:48.
- **WATER LEVEL:** Pool lifts must be located where the water level does not exceed 48 inches [1219mm] (unless the entire pool is greater than 48" deep). [1009.2.1 "Pool Lift Location"]

**NOTE: AQUA CREEK RECOMMENDS INSTALLING THE LIFT AT A DECK TO POOL-FLOOR DEPTH OF NOT LESS THAN 42" [1067MM].**

# Deck Anchor Installation

After selecting a location for the Revolution™ Lift the anchors will need to be marked and drilled. This will require the following tools –

- 3-1/2" & 1-1/4" Core Drill bits
- Core Drilling Rig
- Tape measure and level
- Marking pen
- Chisel and hammer

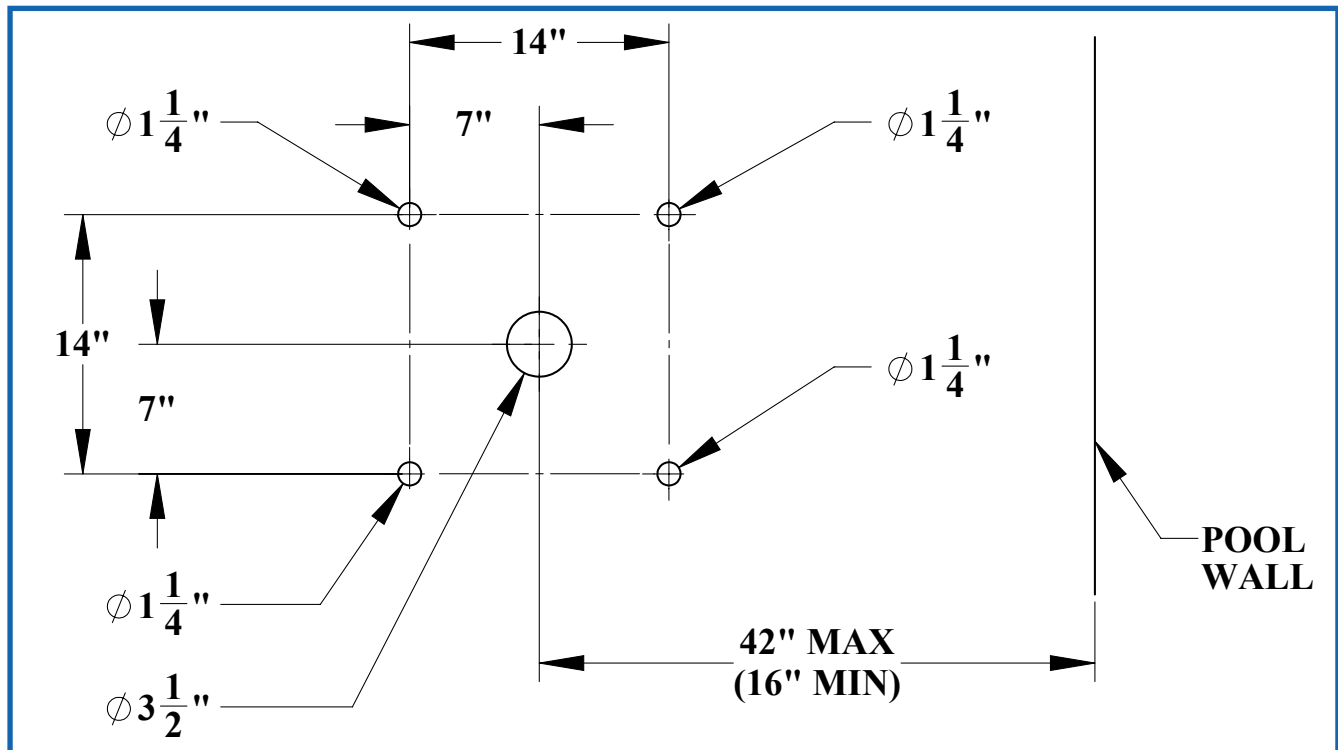
**STEP 1** – Using the tape measure and marking pen, mark the centers for the five (5) holes according to diagram below.

**STEP 2** - Drill the four (4) corner holes using the 1-1/4" core drill bit and drilling rig. Drill to a depth of at least 4".

**STEP 3** – Drill the center hole with the 3-1/2" core drill bit and drilling rig. Drill to a depth of 5-1/2".

**STEP 4** - Remove the cores from the holes using a hammer and chisel. The holes should be completely dry and clear of any debris before installing the anchors into them.

**STEP 5** – Provide a path for bonding one (1) of the corner anchors, where required. Bonding is typically accomplished with a piece of 8-AWG solid copper wire connected to the bonding screw on the bondable insert (one of the four 1" x 4" anchor inserts).



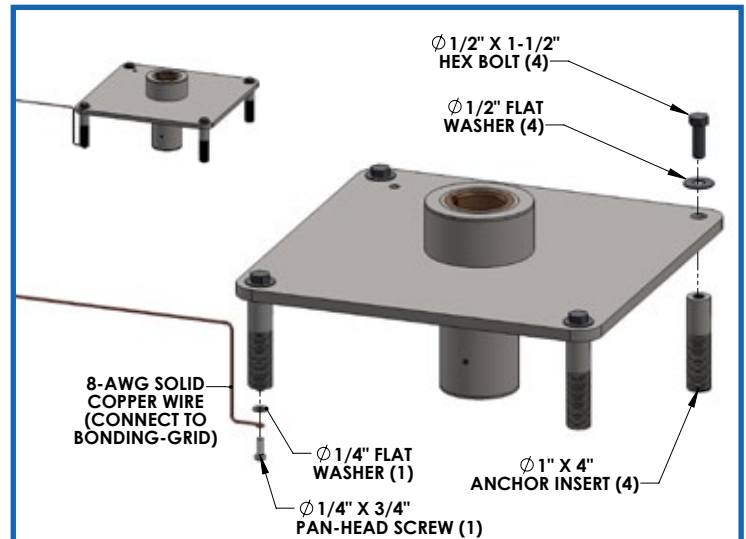
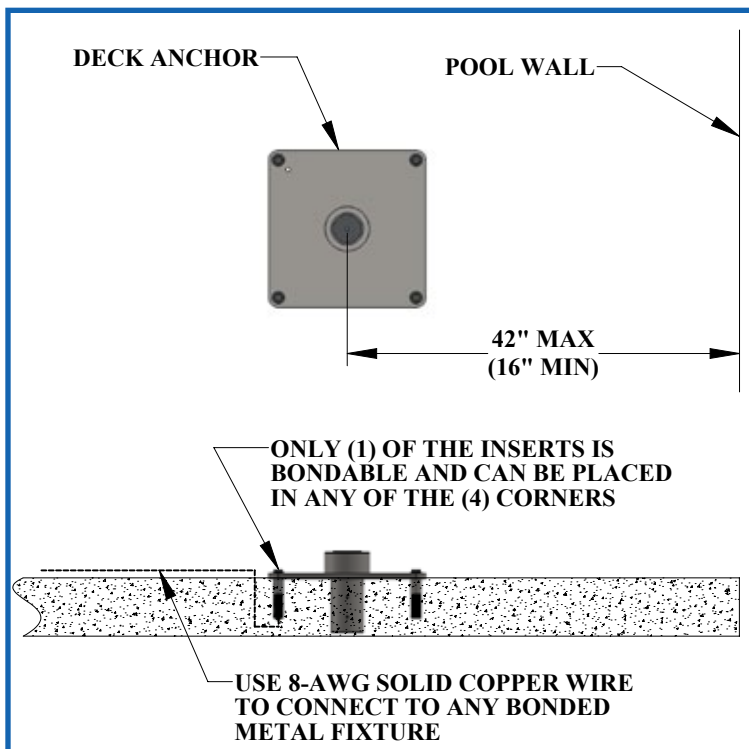
# Deck Anchor Installation Cont.

**STEP 6** – Assemble the Deck Anchor with the 8-AWG solid copper wire connected.

**STEP 7** – Fill holes half full of 2-part anchor adhesive\*. Mix epoxy adhesive per manufacturer's instructions.

**STEP 8** – Install fully assembled Deck Anchor into holes. Press down until Deck Anchor is flush with deck. Attach 8-AWG solid copper wire to bonding grid per local electrical code\*\*.

**Allow 24 hours minimum for adhesive to cure before installing the lift.**



\*Aqua Creek recommends either Hilti™ brand HIT RE-500-SD or Simpson™ brand SET XP or equivalent.

\*\*For more information on bonding see NEC Article 680.26.