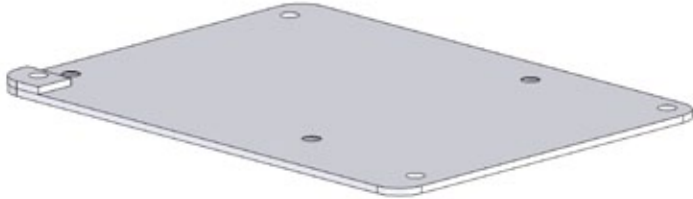


AT-Adapter Plate Instructions



PART #: F-04ATAP

MANDATORY – LEAVE THIS MANUAL WITH LIFT OWNER



Read & Follow All Instructions
Lift safety can only be ensured if the lift is installed and operated according to these instructions



NEVER permit children to play on or around the lift.
Do not allow children to use the lift without adult supervision.



NEVER apply direct water pressure to the electronics



NEVER use the lift with a dry pool

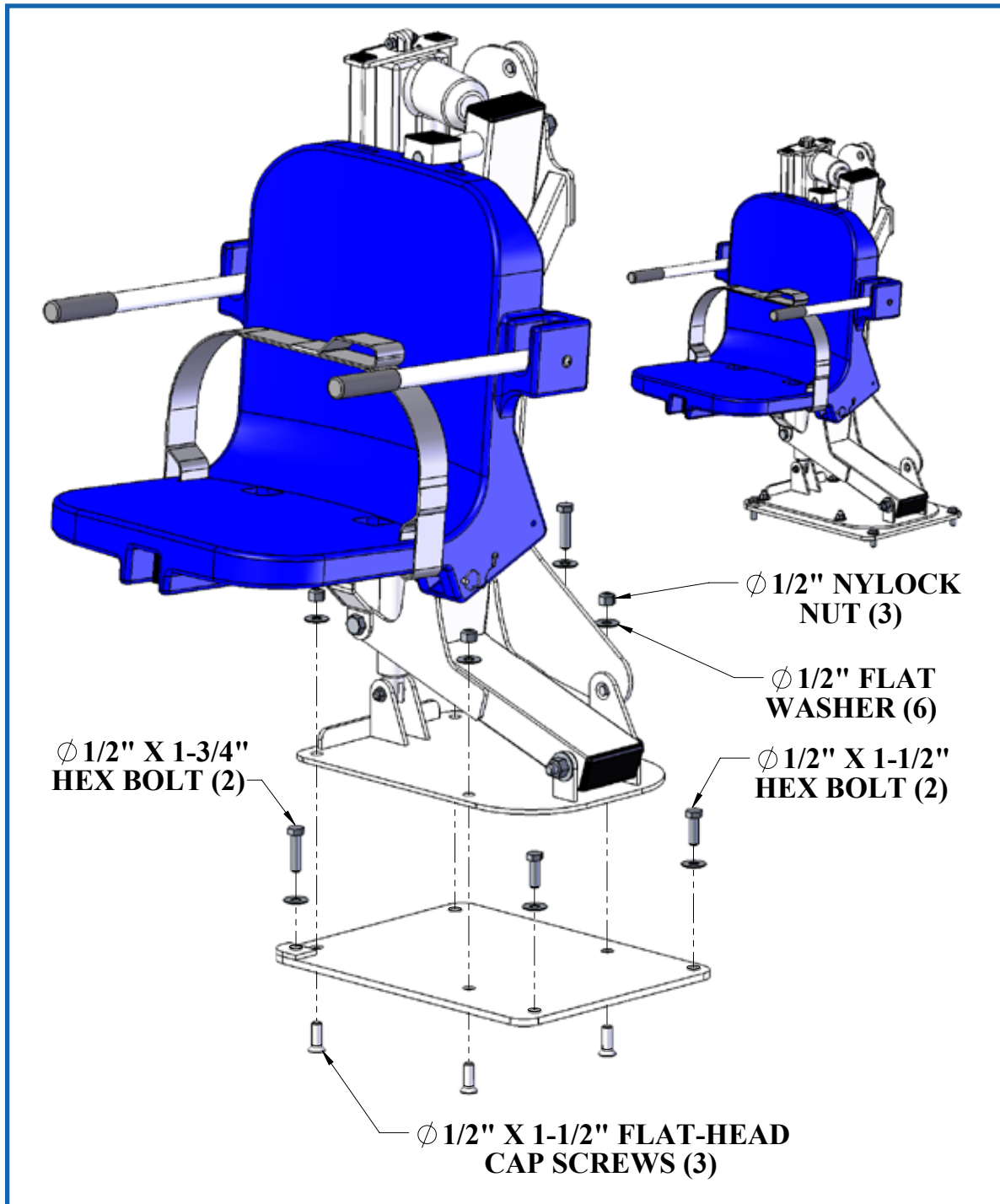


For safety reasons, **NEVER** swim alone



The AT-Adapter Assembly

The AT-Series adapter plate is used to convert the old-style Pro Pool lift anchor-bolt pattern to the new AT-Series anchor bolt pattern. The diagram below gives an overview of the assembly, and shows how the lift and adapter-plate are bolted to the deck.



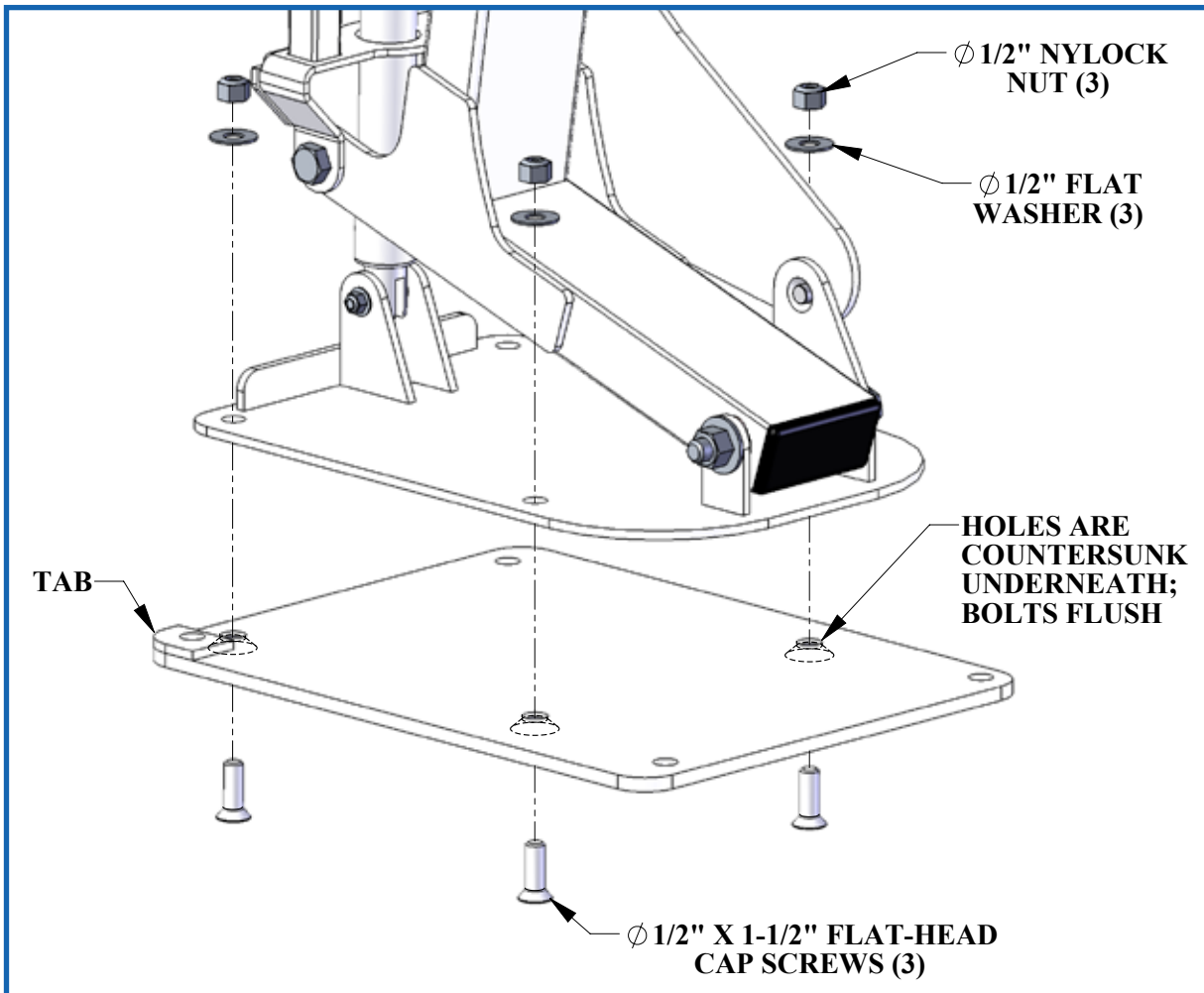
Step 1: Bolt The AT-Adapter To The Lift

The AT-Adapter bolts directly to the AT-SERIES lift (Pro Pool-AT or Ranger-AT) with three (3) 1/2" x 1 1/2" flat-head cap screws, nylock nuts and washers. Installation will require;

5/16" HEX WRENCH OR ALLEN KEY/WRENCH

3/4" WRENCH OR SOCKET

ANTI-SEIZE LUBE



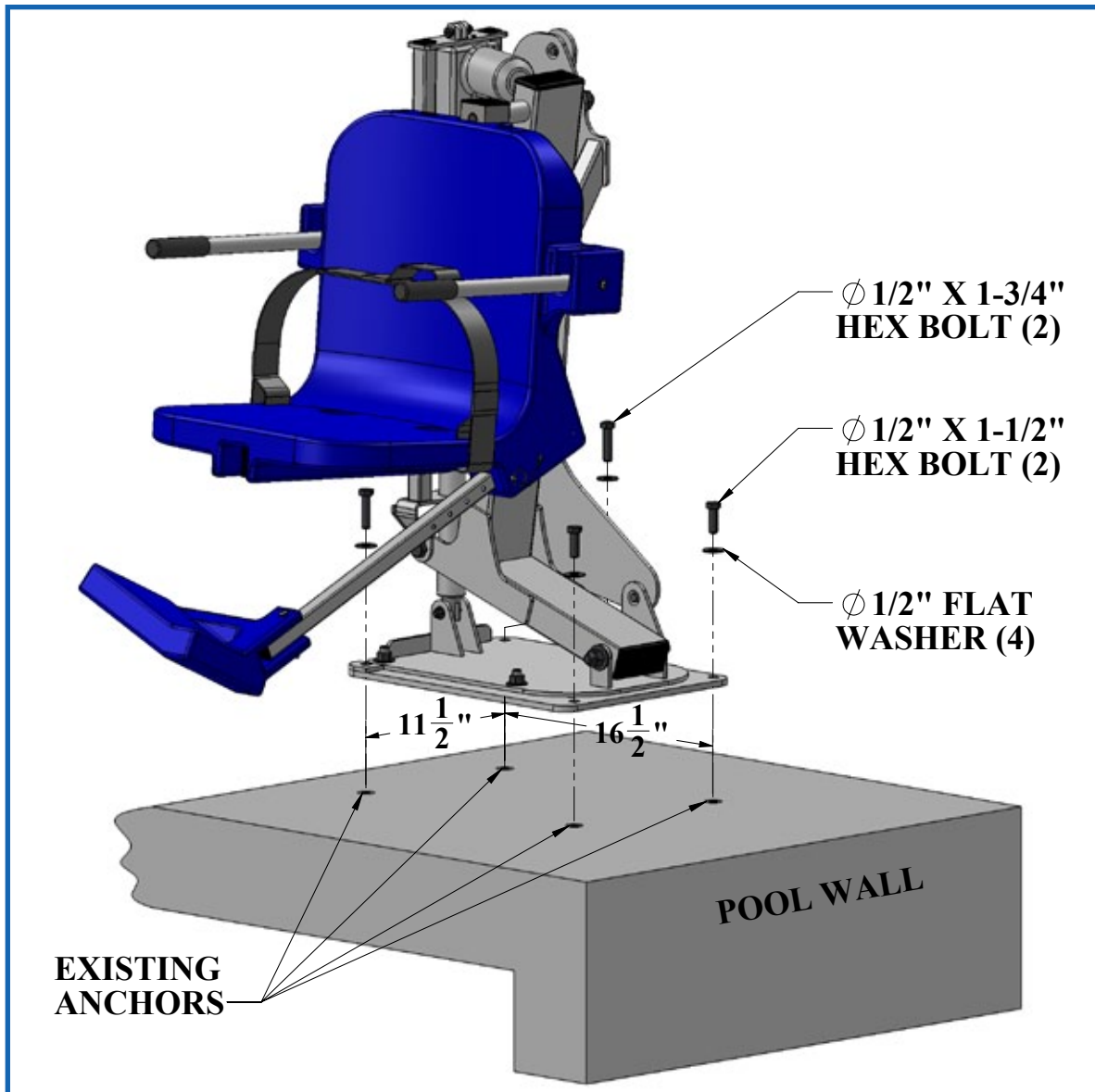
Tighten the cap-screws until snug. The adapter-plate can stay on the lift; even when the lift is removed from the deck for storage.

Proceed to STEP 2 to install the lift on the deck.

Step 2: Install The Lift & Adapter

With the AT-Adapter bolted to the lift it is ready to be installed on the deck. The diagram below shows the process, with the two longer bolts in the back (furthest from the water). Install the lift on the deck using;

3/4" WRENCH OR SOCKET
ANTI-SEIZE LUBE



Apply the ANTI-SEIZE lube to the bolt-threads before installing. This will reduce corrosion and prevent the stainless steel from galling.