

# Wood Deck Anchor Instructions



**PART #: F-40220-AT1**

**PRO POOL-AT WEIGHT CAP: 450 LBS**

**RANGER-AT WEIGHT CAP: 350 LBS**

**PATHFINDER WEIGHT CAP: 300 LBS**

**MANDATORY – LEAVE THIS MANUAL WITH LIFT OWNER**



Read & follow all instructions

Lift safety can only be ensured if the lift is installed and operated according to these instructions



**NEVER** permit children to play on or around the lift  
Do not allow children to use the lift without adult supervision



**NEVER** apply direct water pressure to the electronics



**NEVER** use the lift with a dry pool



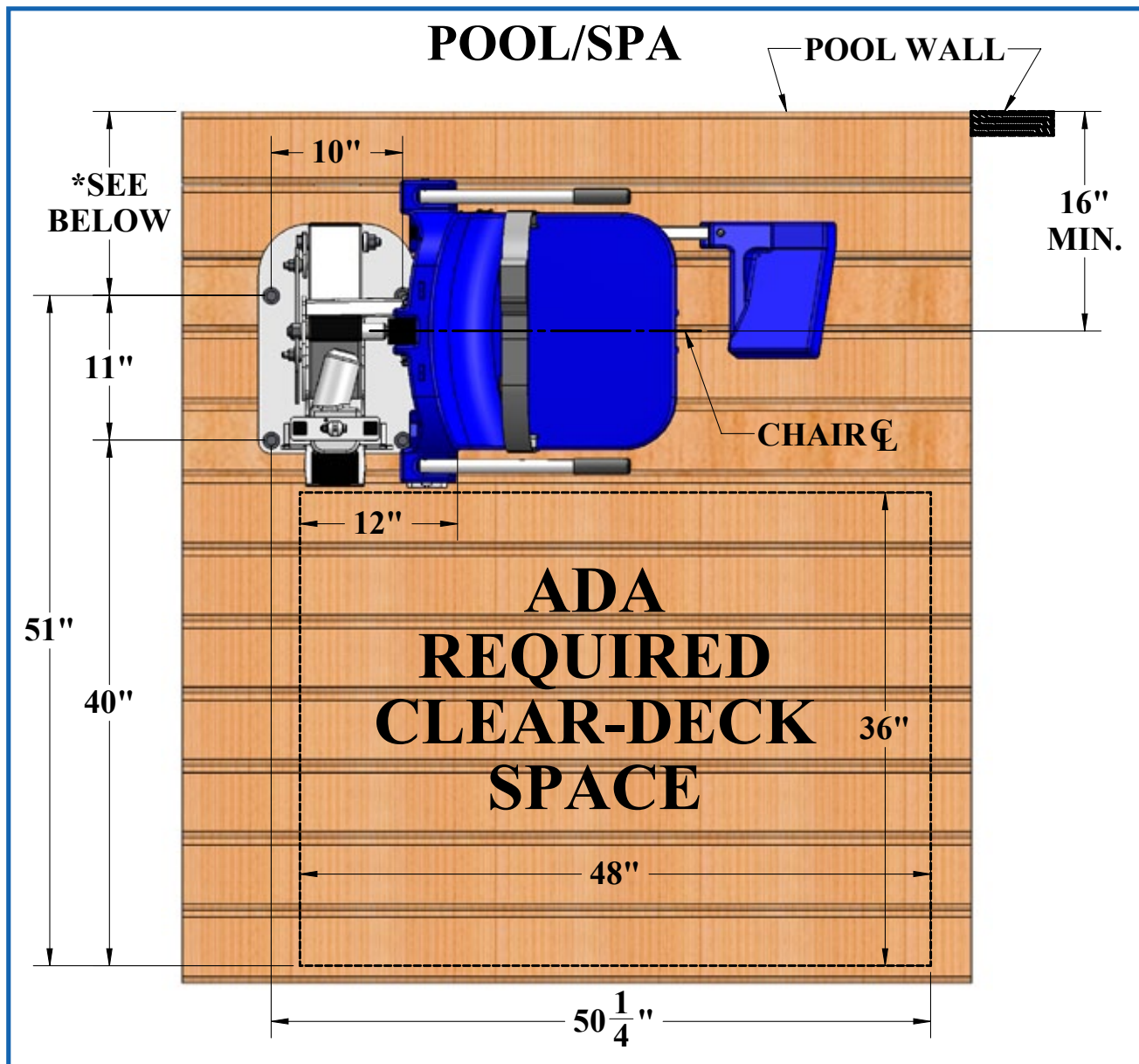
For safety reasons, **NEVER** swim alone



# ADA-Compliant Instructions

The AT-SERIES WOOD-DECK ANCHOR has been designed to comply with the latest ADA requirements. It has a simple but robust design, and can be retrofitted with a nominal amount of time, tools and expense. Below is a diagram showing an ADA compliant installation. To be compliant, the fixed lift must have the required clear-deck space as shown. The AT-SERIES WOOD-DECK ANCHOR is designed to remain in place if the lift is removed for storage.

Note: the AT-SERIES WOOD-DECK ANCHOR has been designed to comply with the NEC requirements for bonding. By bonding the anchor you are also bonding the installed lift.

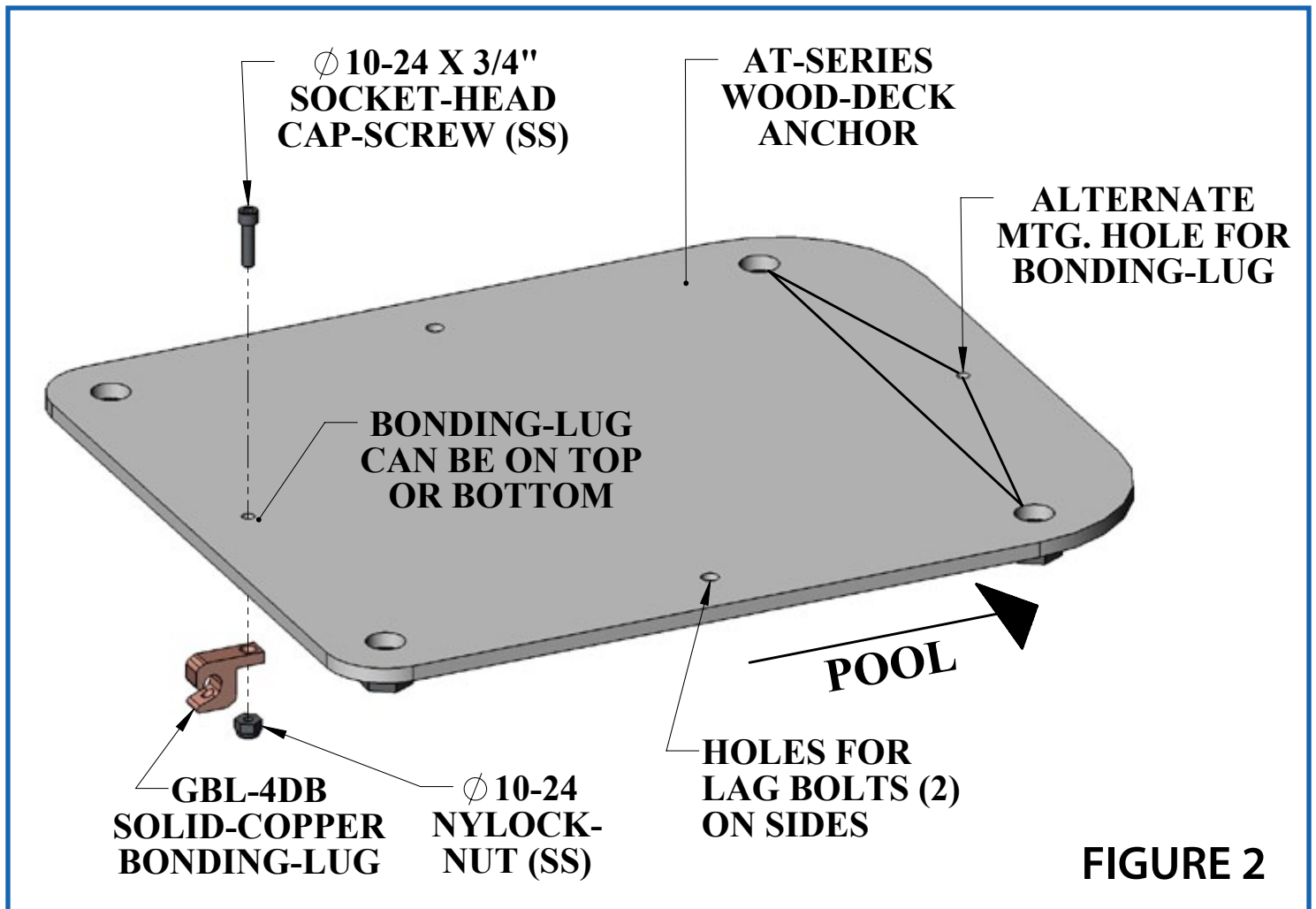


**\*SETBACK DISTANCES:**  
Pro Pool & Ranger: 14"-19"  
Pathfinder: 14"-16"

# The AT-Series Wood-Deck Anchor

The diagram below shows the AT-SERIES WOOD-DECK ANCHOR with the included bonding-lug and hardware. Note the bonding-lug can be attached to either the front or back of the AT-SERIES WOOD-DECK ANCHOR, and on either the top or bottom for ease of wiring.

NOTE: the AT-SERIES WOOD-DECK ANCHOR should be electrically bonded to the pool/spa bonding grid using minimum 8AWG solid copper wire. Attaching the 8AWG solid copper wire to the GBL-4DB copper bonding lug and to the bonding grid will bond the installed lift through the 1/2" mounting bolts.



# Installation Overview: Components

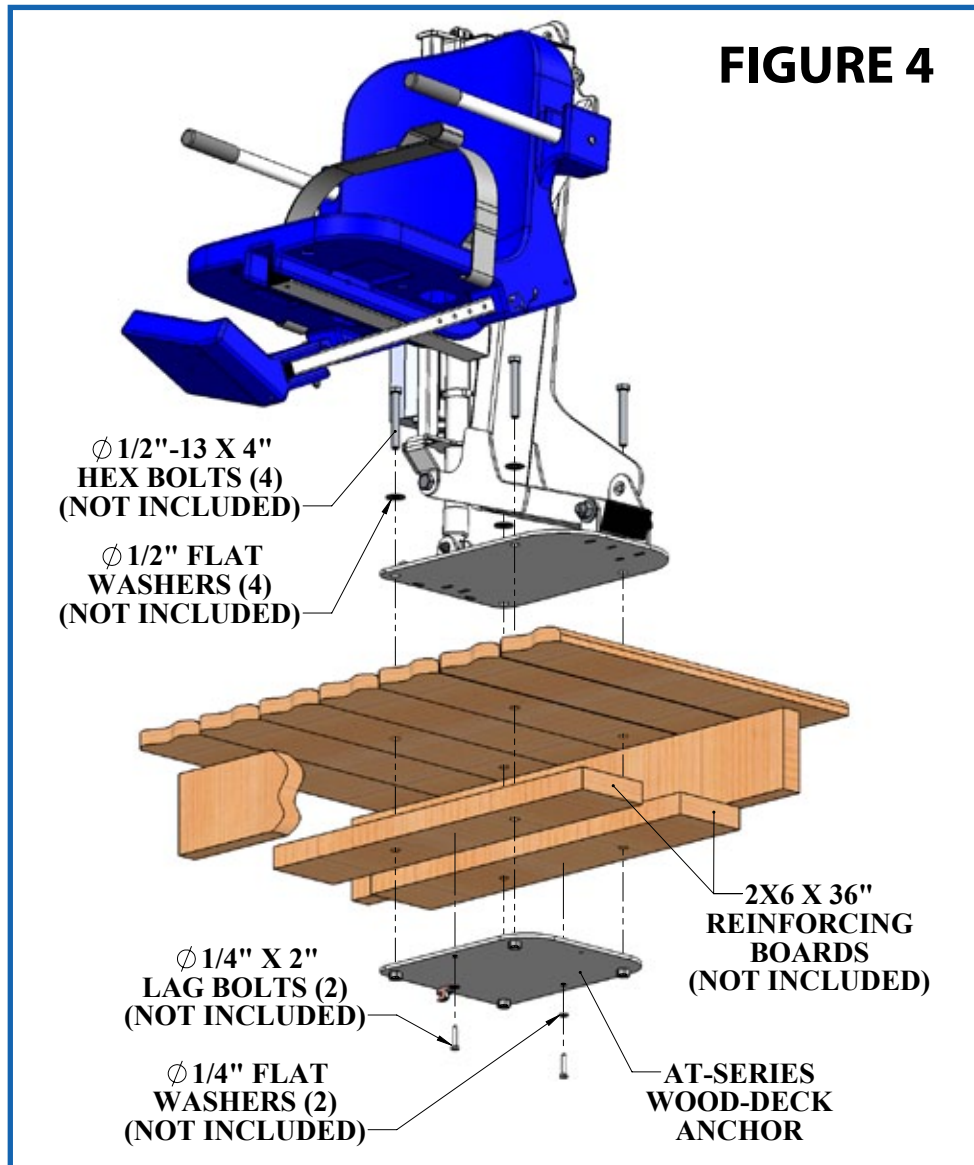
The following diagram shows the AT-SERIES WOOD-DECK ANCHOR in a typical installation. Note the 2x6 x 36" reinforcing boards are installed first, under the decking, to support the entire area around the lift. The following tools and hardware will be required to complete the installation.

## **TOOLS REQUIRED:**

- 1] 5/8" DRILL BIT
- 2] CORDLESS OR ELECTRIC DRILL
- 3] MARKING PEN

## **HARDWARE REQUIRED:**

- 1] 1/4" X 2" LAG BOLTS (2)
- 2] 1/4" FLAT WASHERS (2)
- 3] 1/2"-13 X 4" HEX BOLTS (4)
- 4] 1/2" FLAT WASHERS (4)



## **NOTE:**

Bolt length shown is for *typical* installations.  
Bolt length will vary depending on deck thickness.

# Step 1: Install 2x6 Reinforcing Boards

Once the location for the lift has been determined it will be necessary to install two (2) 2x6 x 36" long reinforcing boards underneath the location of the anchor. The AT-SERIES WOOD-DECK ANCHOR will be mounted between two floor joists, and the joists can run either towards the pool/spa or side-to-side. The following instructions show the joists running towards the pool/spa, but this is only for illustration.



**REINFORCING BOARDS: INSTALL AGAINST FLOOR JOISTS AND FRONT PLATE**  
**(BOTTOM VIEW)**

**NOTE:**

The reinforcing boards are installed from underneath, flush against the floor joists on either side, and all the way up to the front plate/hanger. Use deck screws to hold the reinforcing boards in place.

## Step 2: Mark Location For 5/8" Holes

Using the lift's baseplate as a template, mark the four holes at the desired lift location. Again, make sure the front anchor-holes are between 14" and 19" for Pro Pool-AT or Ranger-AT lifts and between 14" and 16" for a Pathfinder lift, from the pool/spa wall. Also, make sure to line the holes between the floor joists so the AT-SERIES WOOD-DECK ANCHOR fits between the joists.



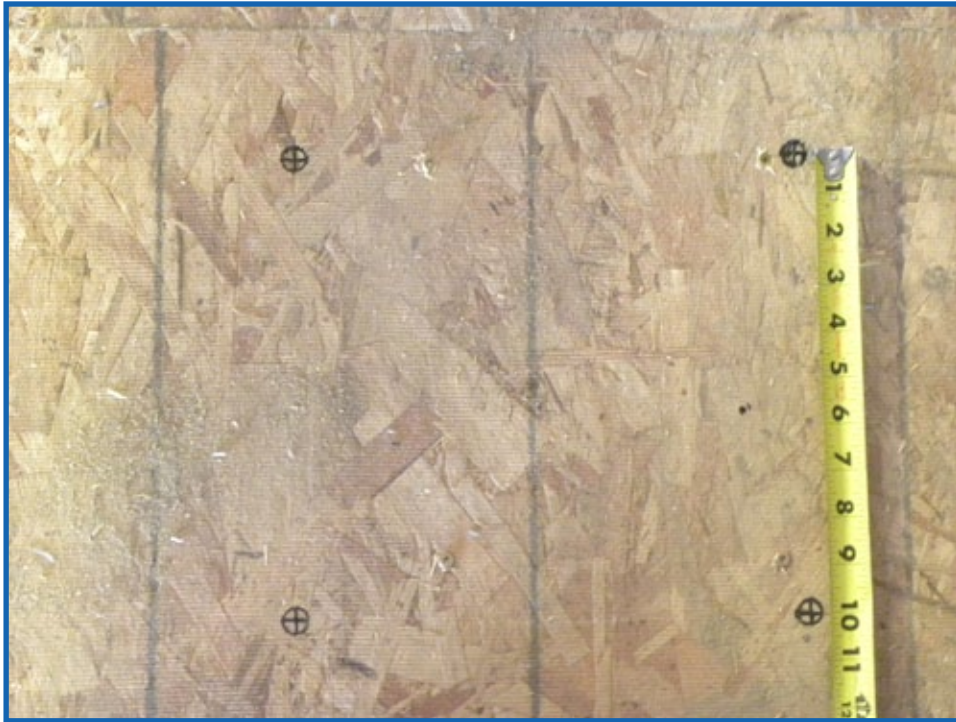
**PLACE THE BASEPLATE AT DESIRED LOCATION**



**MARK THE FOUR MOUNTING HOLES**

# Step 3: Drill Four (4) 5/8" Diameter Holes

With the hole locations marked, drill the four mounting holes. Using a 5/8" drill bit and an electric or cordless drill, drill straight down at the four marked locations. Use a square or level to make sure you are drilling straight down, and make sure you drill at the exact center of the circles.



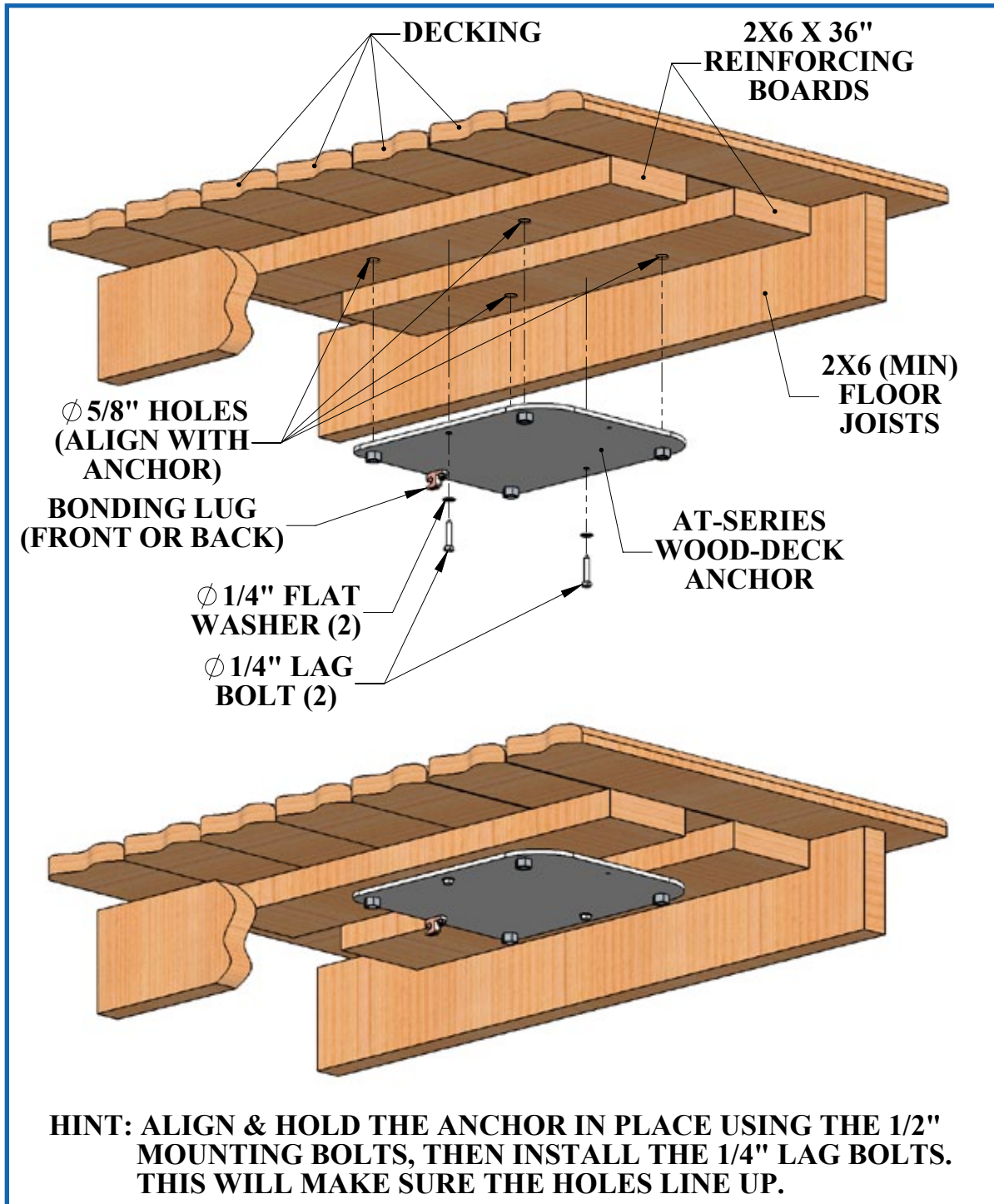
**HINT: USE A TAPE-MEASURE TO CHECK THE HOLES ARE 11" x 10" SQUARE**



**WITH 5/8" BIT: DRILL STRAIGHT-DOWN AT 4 MARKED LOCATIONS**

# Step 4: Install The Wood-Deck Anchor

With the four mounting holes drilled the AT-SERIES WOOD-DECK ANCHOR can now be installed underneath the deck and onto the reinforcing boards. Use the mounting bolts (1/2" hex) to hold the anchor in place, and install the 1/4" lag bolts as shown below. When the anchor is in place the 1/2" hex bolts can be removed and the lift can be installed. Also, bond the lift using the GBL-4DB copper bonding lug per local electrical codes.

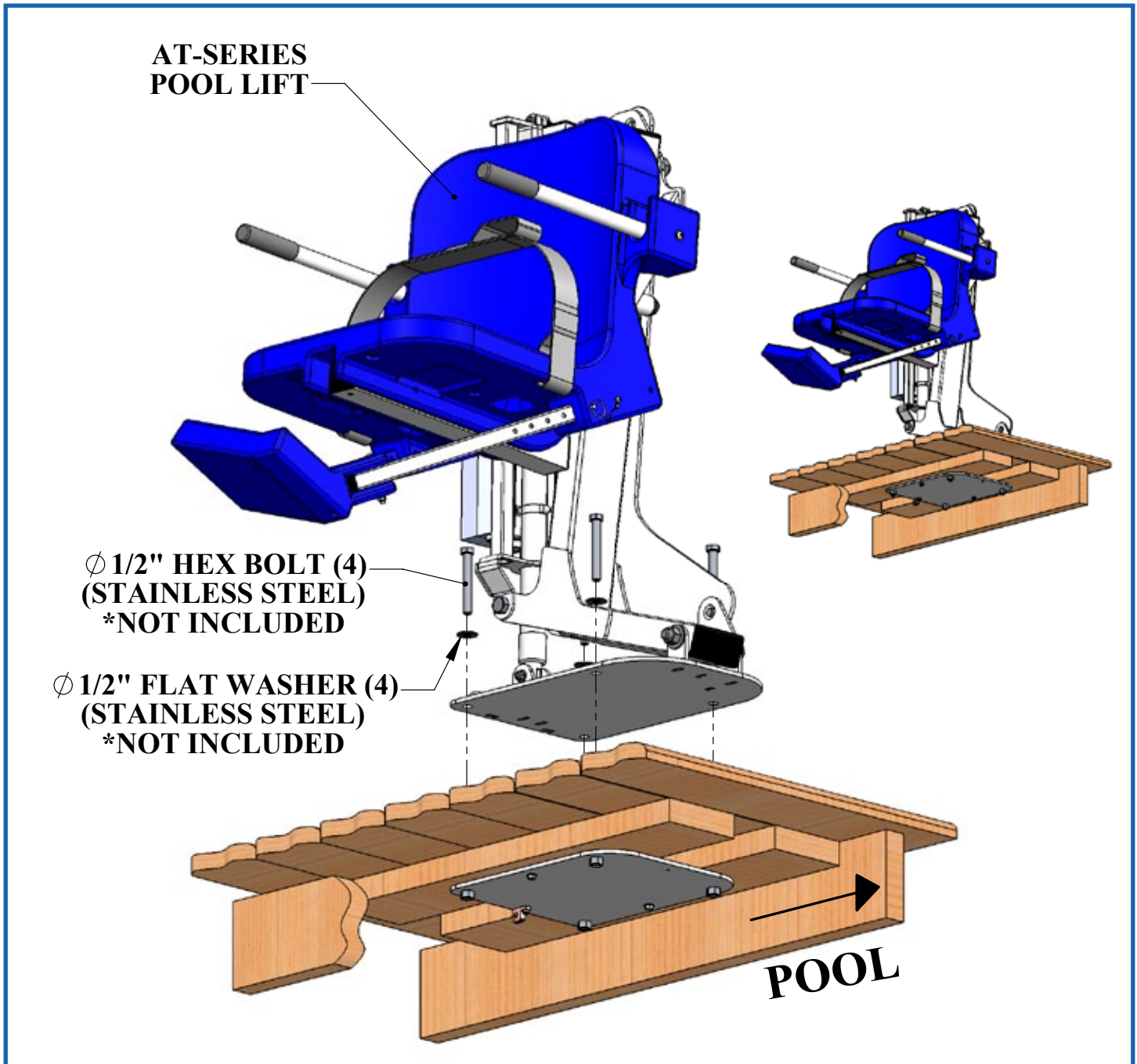




# Step 5: Install The AT-Series Lift

Once the AT-SERIES WOOD-DECK ANCHOR has been installed the AT-SERIES LIFT is now ready for installation. Using the 1/2" mounting bolts and flat washers, mount the lift to the deck as shown below. Use a 9/16" wrench or socket and tighten the bolts until snug.

**DO NOT OVERTIGHTEN THE MOUNTING BOLTS!**



*\*Length of mounting bolts will depend on thickness of deck you need to go through.*