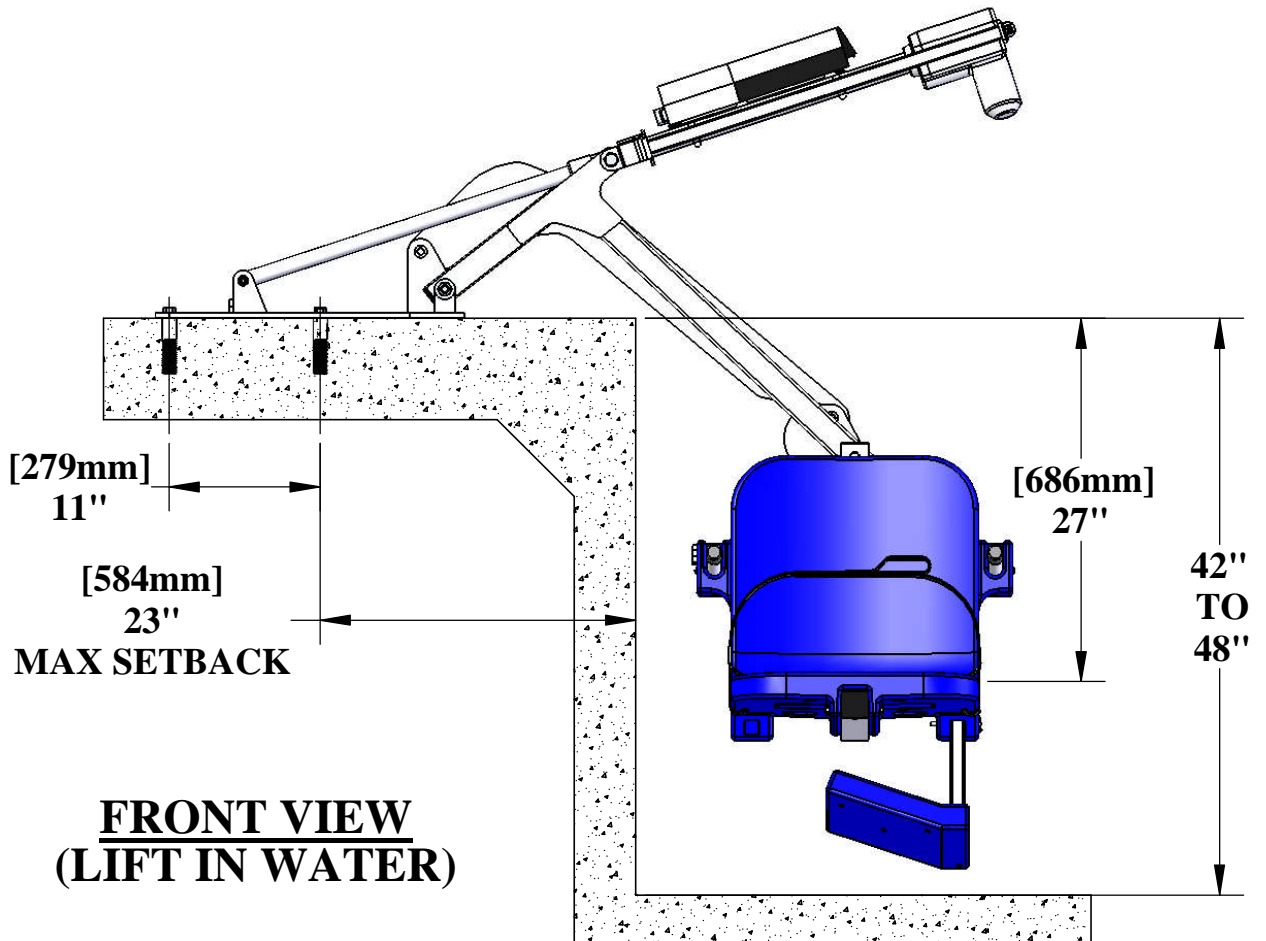
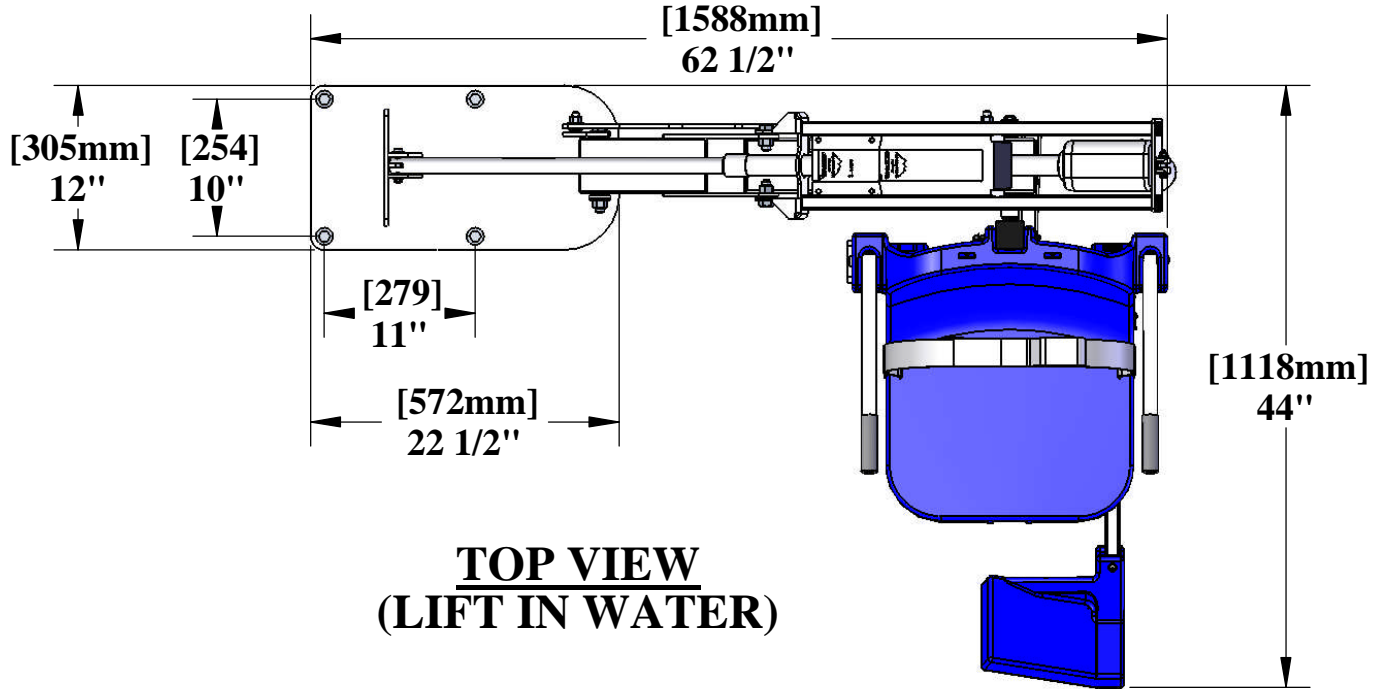


PRO POOL -AT™ EXT 23 POOL LIFT

U.S. PATENT NO'S: [7,249,386 B2] [D507,769 S]



9889 GARRYMORE LANE
MISSOULA, MT 59808
(406) 549-0769
FAX (406) 549-2602

NOTE:
*SPECIFICATIONS ARE SUBJECT TO CHANGE WITHOUT NOTICE

PRODUCT:	F-004PLB-23-AT1	
DWG #:	F-004PLB-23-AT1-2	
SCALE:	1:14	DATE: 5/23/14
DRAWN BY:	KR	REVISION: D



Aqua Creek Products
The Total Solution for Pool and Spa Access

