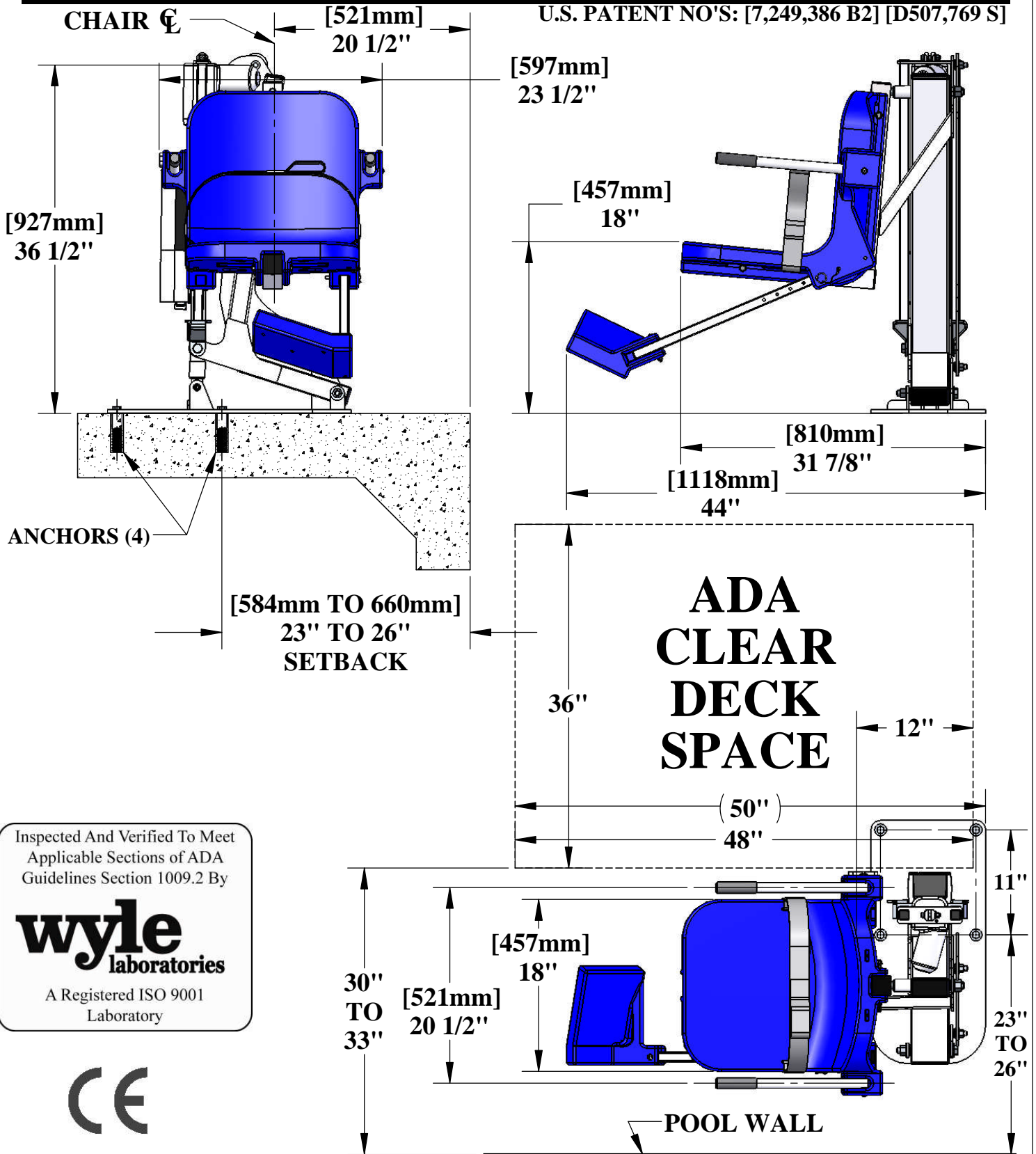


PRO POOL-AT™ EXT26 POOL LIFT

U.S. PATENT NO'S: [7,249,386 B2] [D507,769 S]



Inspected And Verified To Meet
Applicable Sections of ADA
Guidelines Section 1009.2 By

wyle
laboratories

A Registered ISO 9001
Laboratory



Aqua Creek Products

The Total Solution for Pool and Spa Access

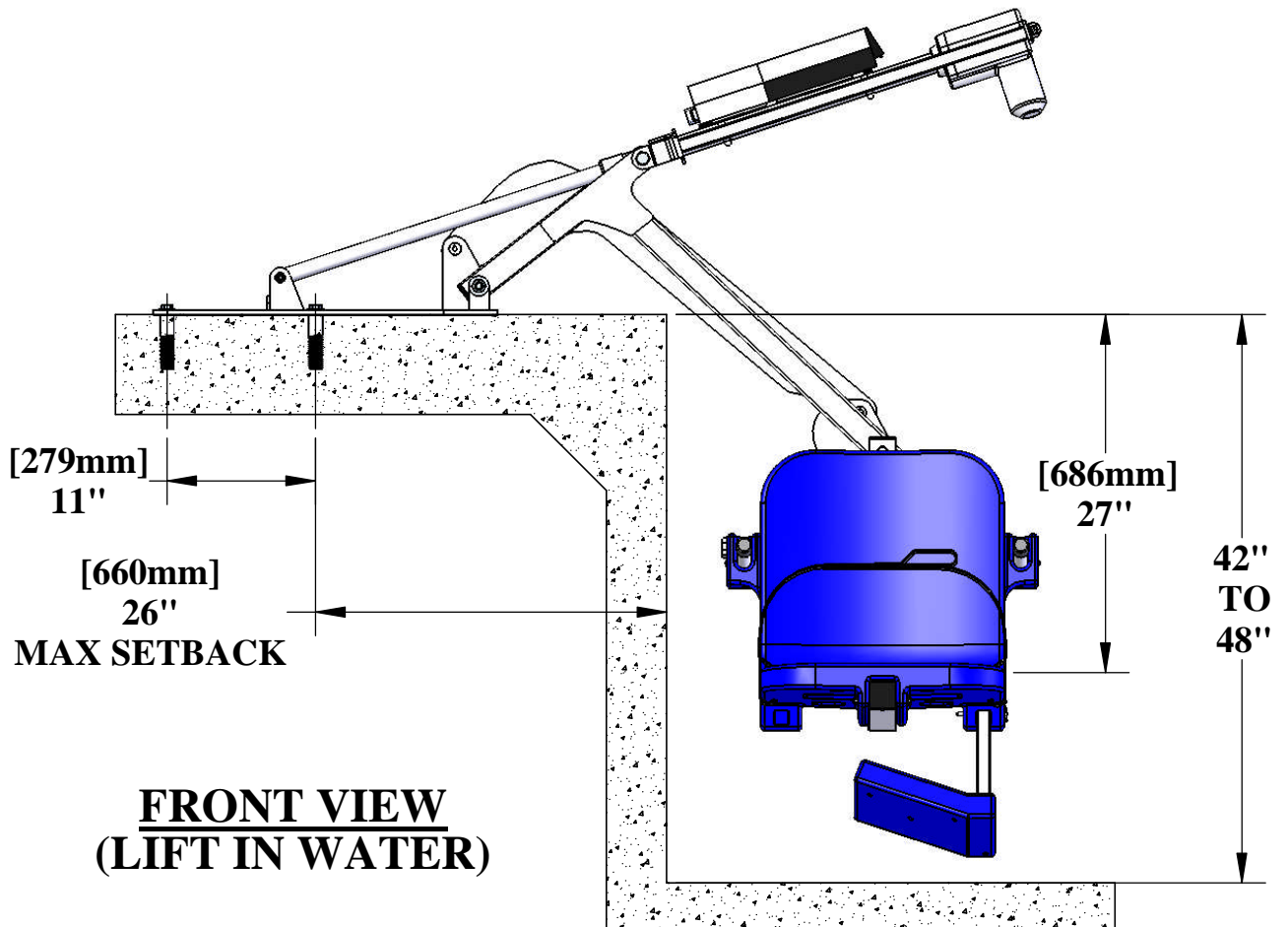
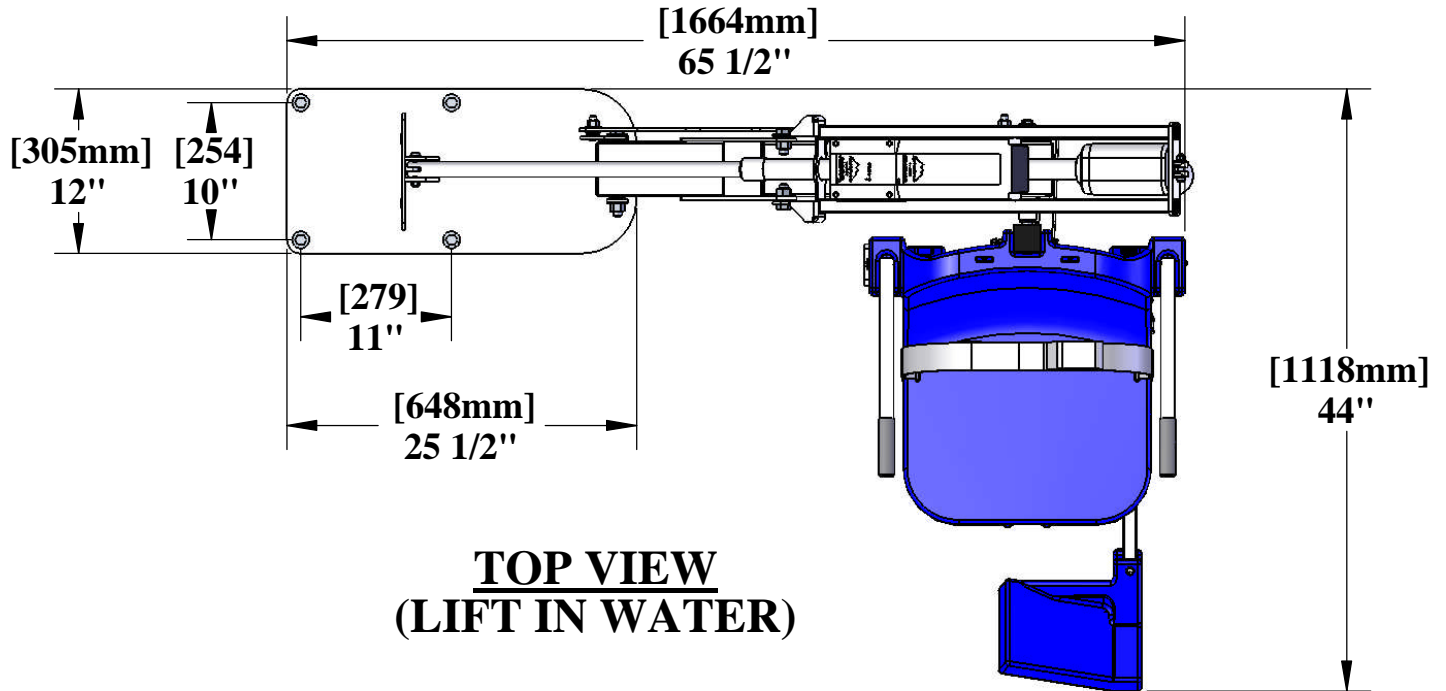
9889 GARRYMORE LANE
MISSOULA, MT 59808
(406) 549-0769
FAX (406) 549-2602

NOTE:
*SPECIFICATIONS ARE SUBJECT TO CHANGE WITHOUT NOTICE

PRODUCT:	F-004PLB-26-AT1		
DWG #:	F-004PLB-26-AT1-1		
SCALE:	1:14	DATE:	5/23/14
DRAWN BY:	KR	REVISION:	D

PRO POOL -AT™ EXT 26 POOL LIFT

U.S. PATENT NO'S: [7,249,386 B2] [D507,769 S]



9889 GARRYMORE LANE
MISSOULA, MT 59808
(406) 549-0769
FAX (406) 549-2602

NOTE:
*SPECIFICATIONS ARE SUBJECT TO CHANGE WITHOUT NOTICE

PRODUCT:	F-004PLB-26-AT1	
DWG #:	F-004PLB-26-AT1-2	
SCALE:	1:14	DATE: 5/23/14
DRAWN BY:	KR	REVISION: D



Aqua Creek Products
The Total Solution for Pool and Spa Access

PRO POOL -AT™ EXT26 POOL LIFT

U.S. PATENT NO'S: [7,249,386 B2] [D507,769 S]

SPECIFICATIONS:

LIFTING CAPACITY: 450 lbs [204 kg]
STATIC LOAD CAPACITY: 675 lbs [306 kg]

MAX. DRAFT (DECK TO WATER): 9.0" [229mm]
MAX. SETBACK (SEE PAGE 2): 26" [660mm]

OVERALL HEIGHT (MAX): 37-1/2" [953mm]
MAX. WIDTH (DEPLOYED): 43" [1092mm]
MAX. LENGTH (DEPLOYED): 57-1/2" [1461mm]
STOWED LENGTH (MAX): 23-1/2" [597mm]
STOWED WIDTH (NO FOOTREST): 32" [813mm]

WEIGHT: 125lbs [57kg]

MATERIALS:

LIFT FRAME: TYPE 304 STAINLESS STEEL
BASEPLATE: TYPE 304 STAINLESS STEEL
CHAIR & FOOTREST: LLDPE POLYETHYLENE
SAFETY BELT: HEAVY-DUTY POLYESTER STRAP, HOOK & LOOP FASTENER
POWDER COATING: OFF-WHITE POLYESTER [PN: 1PC-108-1912 BX50]

STANDARD EQUIPMENT:

DUAL FLIP-UP ARMRESTS **24VDC BATTERY & CHARGER**
FLIP-UP FOOTREST **WATER RESISTANT HANDSET-REMOTE**
SAFETY BELT **4-PT ANCHOR KIT**

AVAILABLE OPTIONS:

HEADREST ASSEMBLY (PN: F-422PLH)
PULLOUT LEGREST: (PN: F-105LAR)
COVER, POLYESTER (PN: F-422PPC)
CYCLE ATTACHMENT: (PN: F-019CA)

Inspected And Verified To Meet
Applicable Sections of ADA
Guidelines Section 1009.2 By

wyle
laboratories

A Registered ISO 9001
Laboratory



9889 GARRYMORE LANE
MISSOULA, MT 59808
(406) 549-0769
FAX (406) 549-2602

NOTE:
*SPECIFICATIONS ARE SUBJECT TO CHANGE WITHOUT NOTICE

Aqua Creek Products

The Total Solution for Pool and Spa Access

PRODUCT:		F-004PLB-26-AT1	
DWG #:		F-004PLB-26-AT1-3	
SCALE:	1:1	DATE:	5/23/14
DRAWN BY:	KR	REVISION:	D