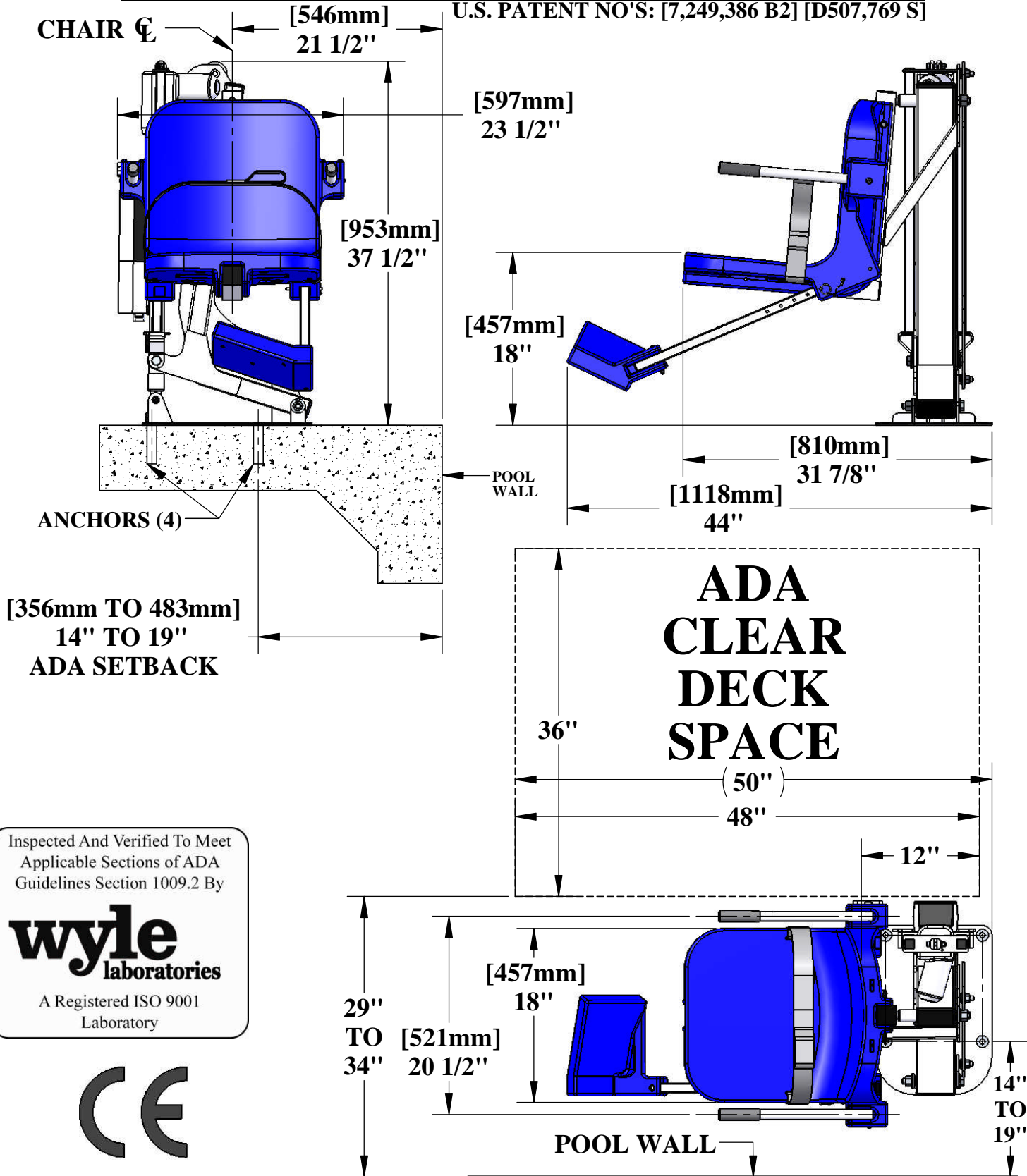


# PRO POOL-AT™ POOL LIFT

U.S. PATENT NO'S: [7,249,386 B2] [D507,769 S]



Inspected And Verified To Meet  
Applicable Sections of ADA  
Guidelines Section 1009.2 By

**wyle**  
laboratories

A Registered ISO 9001  
Laboratory



**Aqua Creek Products**

The Total Solution for Pool and Spa Access

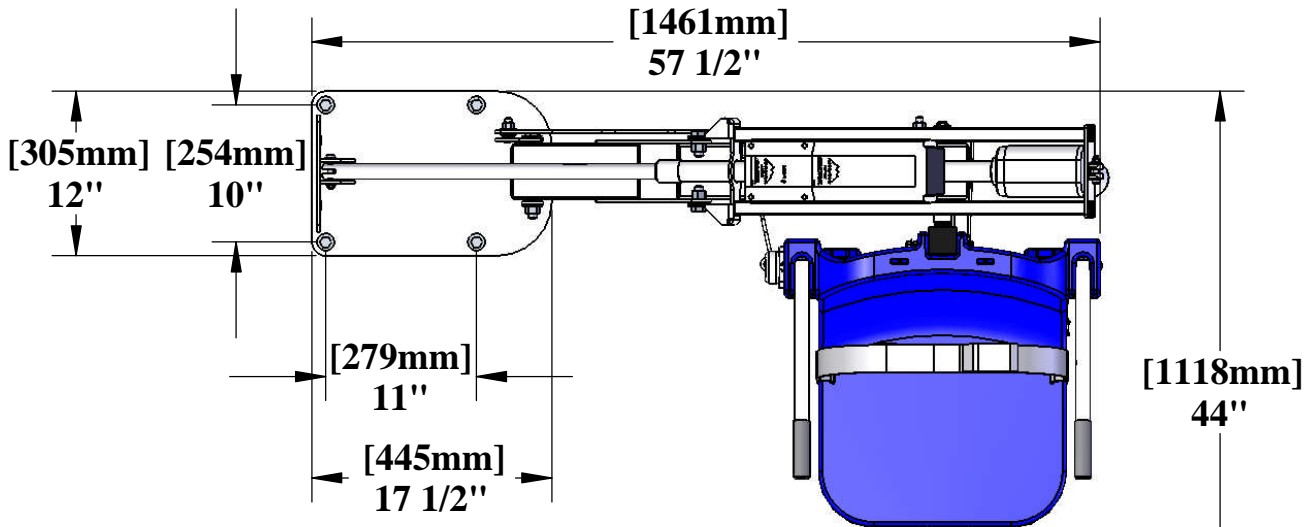
9889 GARRYMORE LANE  
MISSOULA, MT 59808  
(406) 549-0769  
FAX (406) 549-2602

NOTE:  
\*SPECIFICATIONS ARE SUBJECT TO CHANGE WITHOUT NOTICE

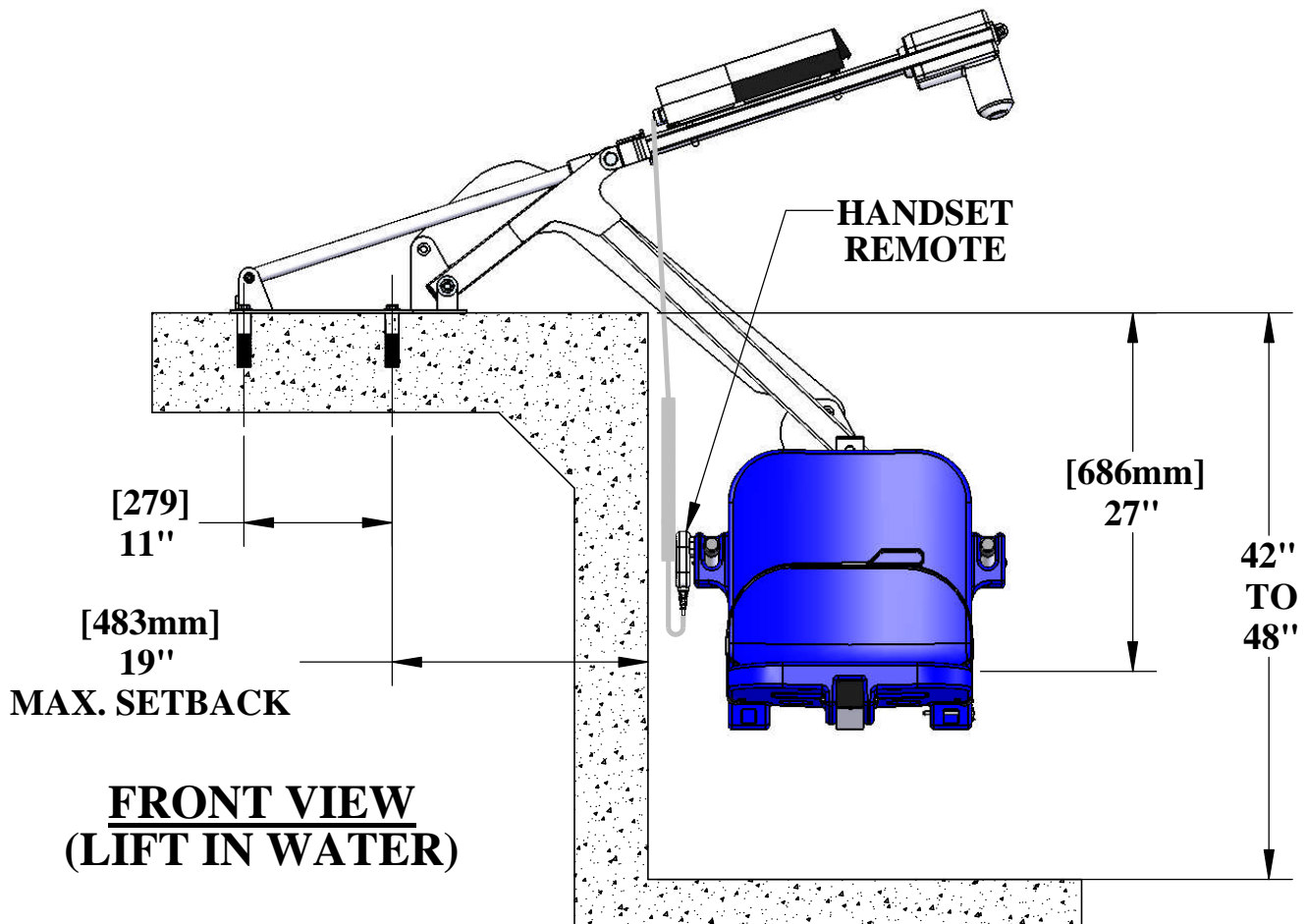
PRODUCT:	F-004PLB-AT1	
DWG #:	F-004PLB-AT1-1	
SCALE:	1:14	DATE: 5/23/14
DRAWN BY:	KR	REVISION: D

# PRO POOL -AT™ POOL LIFT

U.S. PATENT NO'S: [7,249,386 B2] [D507,769 S]



**TOP VIEW  
(LIFT IN WATER)**



**FRONT VIEW  
(LIFT IN WATER)**

9889 GARRYMORE LANE  
MISSOULA, MT 59808  
(406) 549-0769  
FAX (406) 549-2602

NOTE:  
\*SPECIFICATIONS ARE SUBJECT TO CHANGE WITHOUT NOTICE

PRODUCT:	F-004PLB-AT1	
DWG #:	F-004PLB-AT1-2	
SCALE:	1:14	DATE: 5/23/14
DRAWN BY:	KR	REVISION: D

# PRO POOL -AT™ POOL LIFT

U.S. PATENT NO'S: [7,249,386 B2] [D507,769 S]

## SPECIFICATIONS:

**LIFTING CAPACITY:** 450 lbs [204 kg]  
**STATIC LOAD CAPACITY:** 675 lbs [306 kg]

**MAX. DRAFT (DECK TO WATER):** 9.0" [229mm]  
**MAX. SETBACK (SEE PAGE 2):** 19" [483mm]

**OVERALL HEIGHT (MAX):** 37-1/2" [953mm]  
**MAX. WIDTH (DEPLOYED):** 43" [1092mm]  
**MAX. LENGTH (DEPLOYED):** 57-1/2" [1461mm]  
**STOWED LENGTH (MAX):** 23-1/2" [597mm]  
**STOWED WIDTH (NO FOOTREST):** 32" [813mm]

**WEIGHT:** 105lbs [48kg]

### **MATERIALS:**

**LIFT FRAME:** TYPE 304 STAINLESS STEEL  
**BASEPLATE:** TYPE 304 STAINLESS STEEL  
**CHAIR & FOOTREST:** LLDPE POLYETHYLENE  
**SAFETY BELT:** HEAVY-DUTY POLYESTER STRAP, HOOK & LOOP FASTENER  
**POWDER COATING:** OFF-WHITE POLYESTER [PN: 1PC-108-1912 BX50]

### **STANDARD EQUIPMENT:**

**DUAL FLIP-UP ARMRESTS**  
**FLIP-UP FOOTREST**  
**SAFETY BELT**

**24VDC BATTERY & CHARGER**  
**WATER RESISTANT HANDSET-REMOTE**  
**4-PT ANCHOR KIT**

### **AVAILABLE OPTIONS:**

**HEADREST ASSEMBLY** (PN: F-422PLH)  
**PULLOUT LEGREST:** (PN: F-105LAR)  
**COVER, POLYESTER** (PN: F-422PPC)  
**TRANSPORT CART:** (PN: F-428HT)  
**CYCLE ATTACHMENT:** (PN: F-019CA)

Inspected And Verified To Meet  
Applicable Sections of ADA  
Guidelines Section 1009.2 By

**wyle**  
laboratories

A Registered ISO 9001  
Laboratory



**Aqua Creek Products**

The Total Solution for Pool and Spa Access

9889 GARRYMORE LANE  
MISSOULA, MT 59808  
(406) 549-0769  
FAX (406) 549-2602

NOTE:  
\*SPECIFICATIONS ARE SUBJECT TO CHANGE WITHOUT NOTICE

PRODUCT:	<b>F-004PLB-AT1</b>	
DWG #:	<b>F-004PLB-AT1-3</b>	
SCALE:	<b>1:1</b>	DATE: <b>5/23/14</b>
DRAWN BY:	<b>KR</b>	REVISION: <b>D</b>