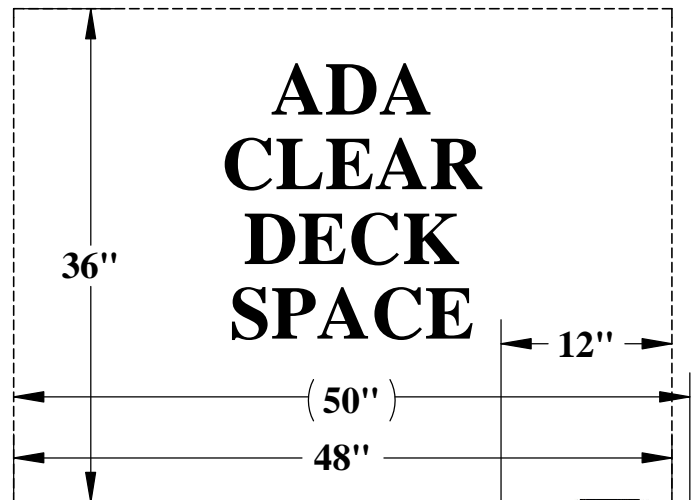
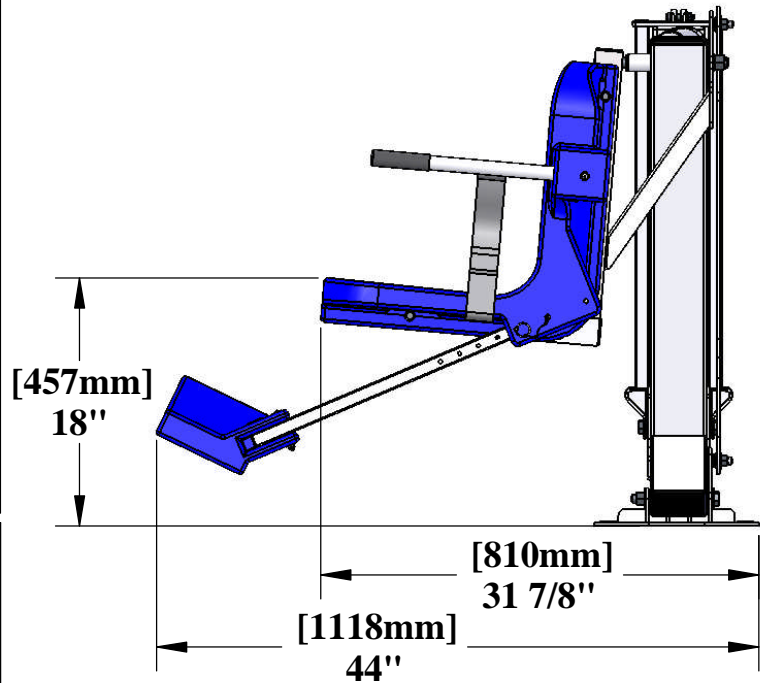
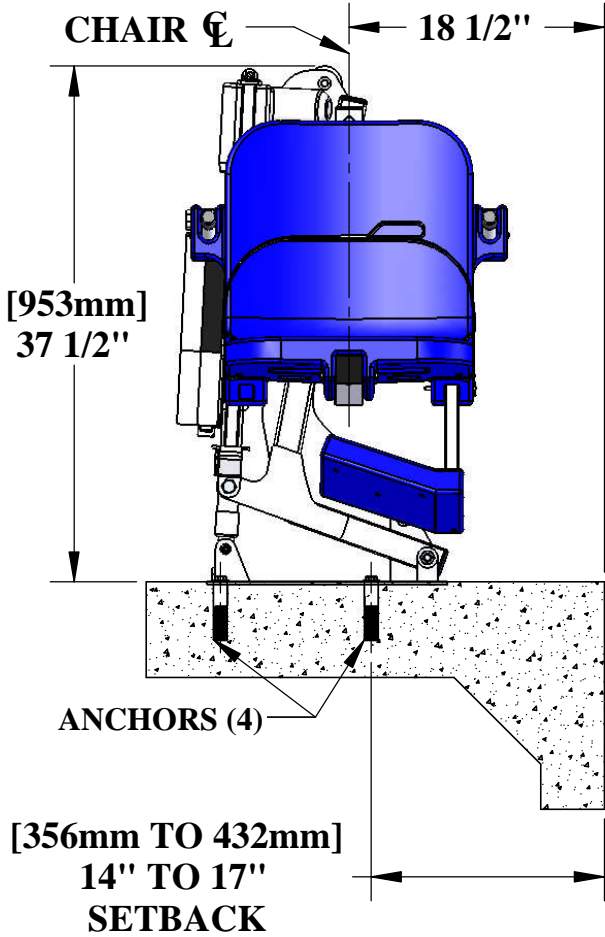


# PRO POOL-AT™ DEEP-DRAFT

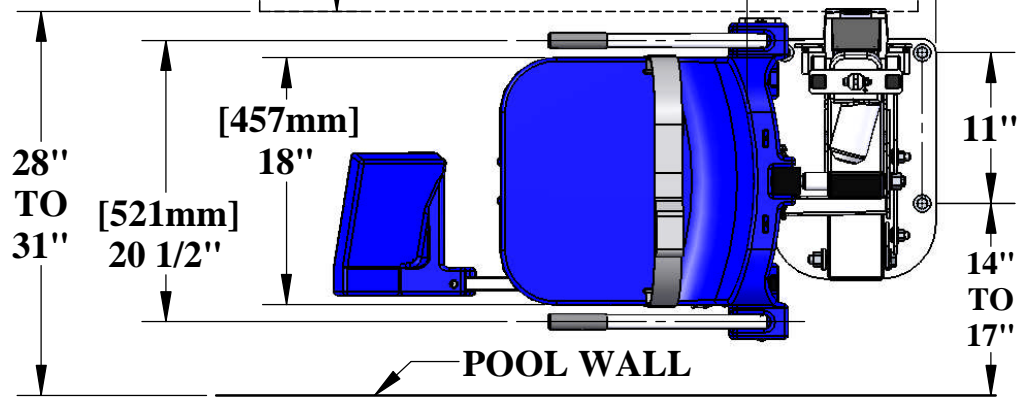
U.S. PATENT NO'S: [7,249,386 B2] [D507,769 S]



Inspected And Verified To Meet  
Applicable Sections of ADA  
Guidelines Section 1009.2 By

**wyle**  
laboratories

A Registered ISO 9001  
Laboratory



9889 GARRYMORE LANE  
MISSOULA, MT 59808  
(406) 549-0769  
FAX (406) 549-2602

NOTE:  
\*SPECIFICATIONS ARE SUBJECT TO CHANGE WITHOUT NOTICE

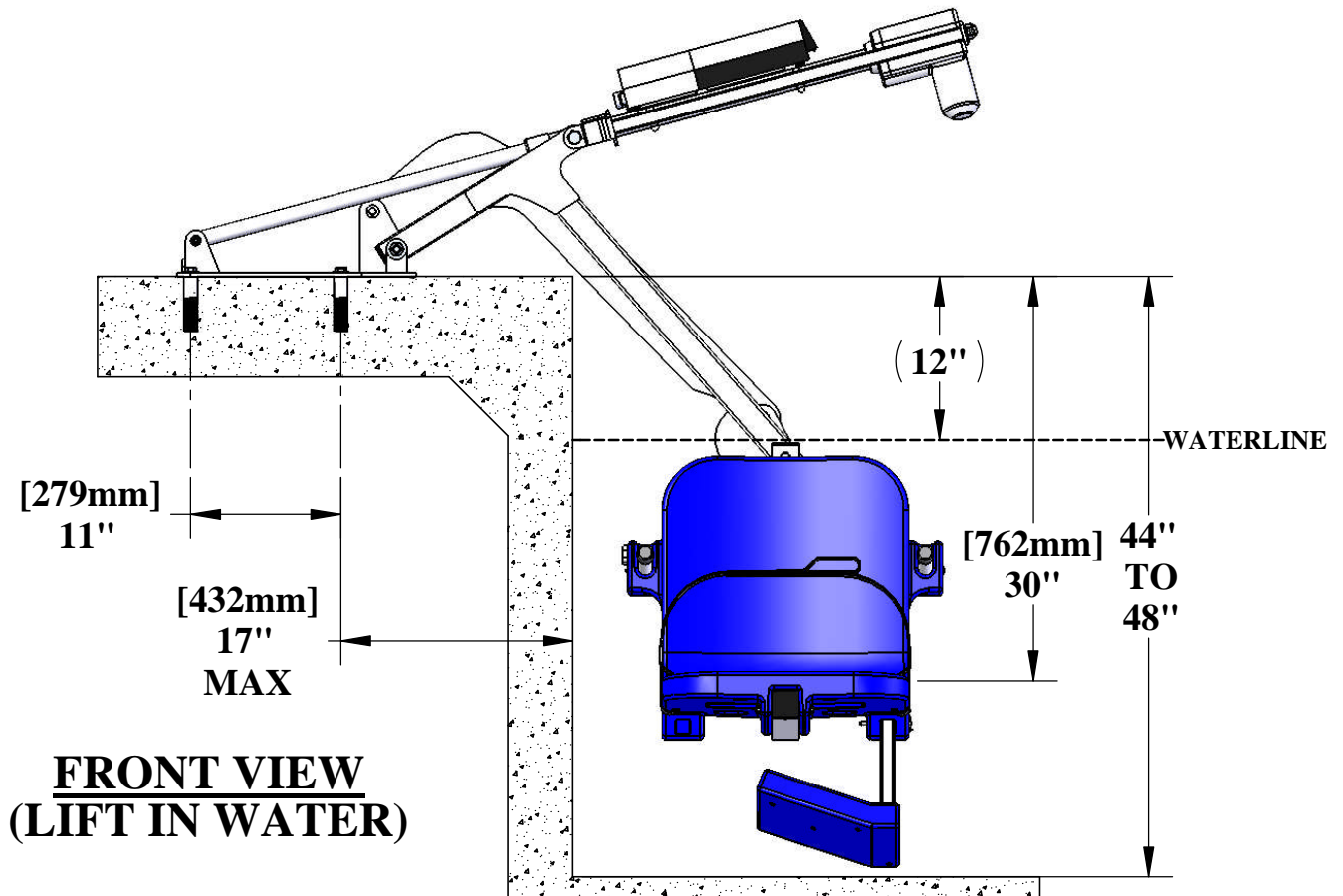
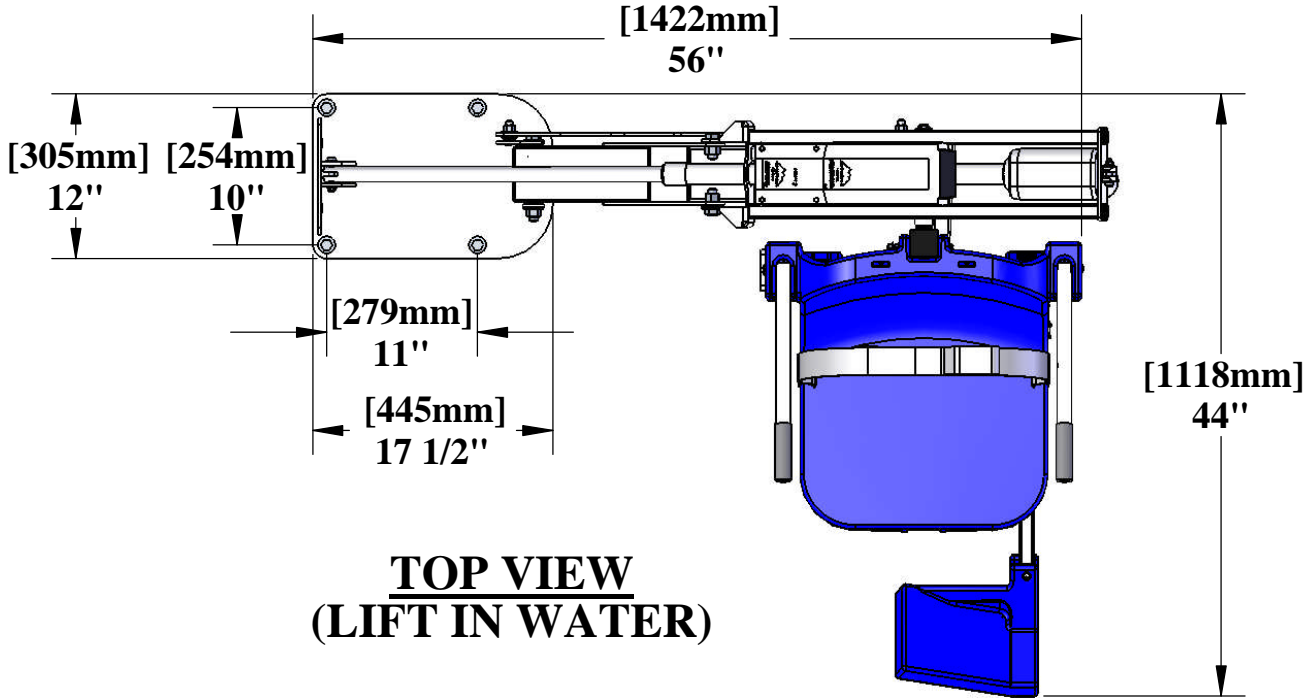
PRODUCT:		F-004PLB-DD12-AT1	
DWG #:		F-004PLB-DD12-AT1-1	
SCALE:	1:14	DATE:	5/23/14
DRAWN BY:	KR	REVISION:	D

**Aqua Creek Products**

The Total Solution for Pool and Spa Access

# PRO POOL -AT™ DEEP DRAFT

U.S. PATENT NO'S: [7,249,386 B2] [D507,769 S]



9889 GARRYMORE LANE  
MISSOULA, MT 59808  
(406) 549-0769  
FAX (406) 549-2602

NOTE:  
\*SPECIFICATIONS ARE SUBJECT TO CHANGE WITHOUT NOTICE

PRODUCT: <b>F-004PLB-DD12-AT1</b>	
DWG #: <b>F-004PLB-DD12-AT1-2</b>	
SCALE: <b>1:14</b>	DATE: <b>5/23/14</b>
DRAWN BY: <b>KR</b>	REVISION: <b>D</b>

**Aqua Creek Products**  
The Total Solution for Pool and Spa Access

# PRO POOL -AT™ DEEP DRAFT

U.S. PATENT NO'S: [7,249,386 B2] [D507,769 S]

## SPECIFICATIONS:

**LIFTING CAPACITY: 400 lbs [204 kg]**  
**STATIC LOAD CAPACITY: 675 lbs [306 kg]**

**MAX. DRAFT (DECK TO WATER): 12.0" [305mm]**  
**MAX. SETBACK (SEE PAGE 2): 17" [432mm]**

**OVERALL HEIGHT (MAX): 37-1/2" [953mm]**  
**MAX. WIDTH (DEPLOYED): 43" [1092mm]**  
**MAX. LENGTH (DEPLOYED): 57-1/2" [1461mm]**  
**STOWED LENGTH (MAX): 23-1/2" [597mm]**  
**STOWED WIDTH (NO FOOTREST): 32" [813mm]**

**WEIGHT: 110lbs [50kg]**

### **MATERIALS:**

**LIFT FRAME: TYPE 304 STAINLESS STEEL**  
**BASEPLATE: TYPE 304 STAINLESS STEEL**  
**CHAIR & FOOTREST: LLDPE POLYETHYLENE**  
**SAFETY BELT: HEAVY-DUTY POLYESTER STRAP, HOOK & LOOP FASTENER**  
**POWDER COATING: OFF-WHITE POLYESTER [PN: 1PC-108-1912 BX50]**

### **STANDARD EQUIPMENT:**

**DUAL FLIP-UP ARMRESTS**  
**FLIP-UP FOOTREST**  
**SAFETY BELT**

**24VDC BATTERY & CHARGER**  
**WATER RESISTANT HANDSET-REMOTE**  
**4-PT ANCHOR KIT**

### **AVAILABLE OPTIONS:**

**HEADREST ASSEMBLY (PN: F-422PLH)**  
**PULLOUT LEGREST: (PN: F-105LAR)**  
**COVER, POLYESTER (PN: F-422PPC)**  
**CYCLE ATTACHMENT: (PN: F-019CA)**

Inspected And Verified To Meet  
Applicable Sections of ADA  
Guidelines Section 1009.2 By

**wyle**  
laboratories

A Registered ISO 9001  
Laboratory



9889 GARRYMORE LANE  
MISSOULA, MT 59808  
(406) 549-0769  
FAX (406) 549-2602

NOTE:  
\*SPECIFICATIONS ARE SUBJECT TO CHANGE WITHOUT NOTICE

  
**Aqua Creek Products**

The Total Solution for Pool and Spa Access

PRODUCT: <b>F-004PLB-DD12-AT1</b>	
DWG #: <b>F-004PLB-DD12-AT1-3</b>	
SCALE: <b>1:1</b>	DATE: <b>5/23/14</b>
DRAWN BY: <b>KR</b>	REVISION: <b>D</b>