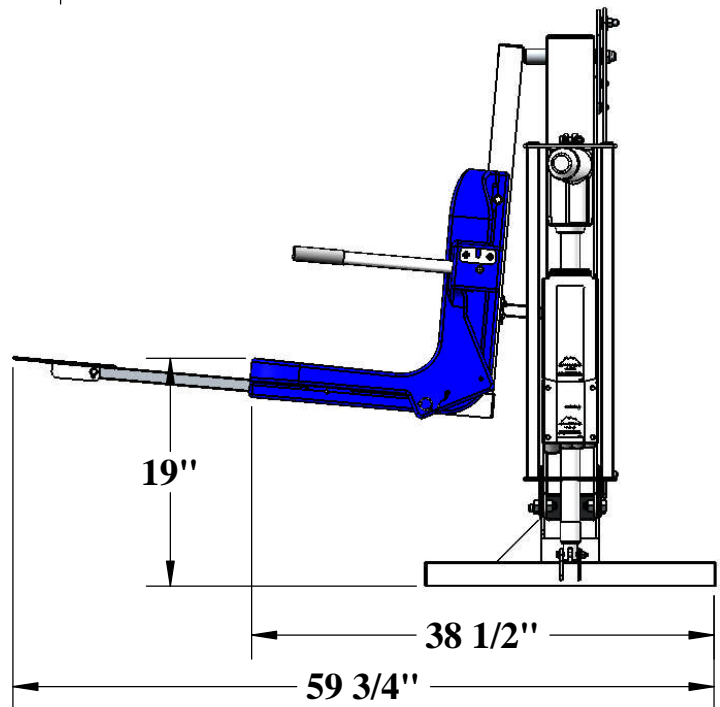
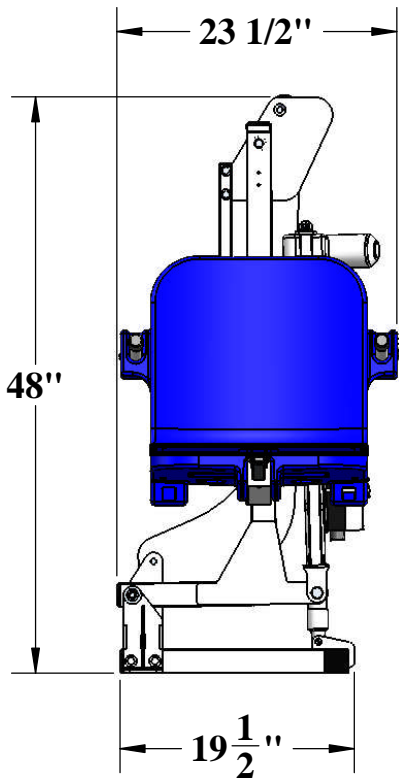
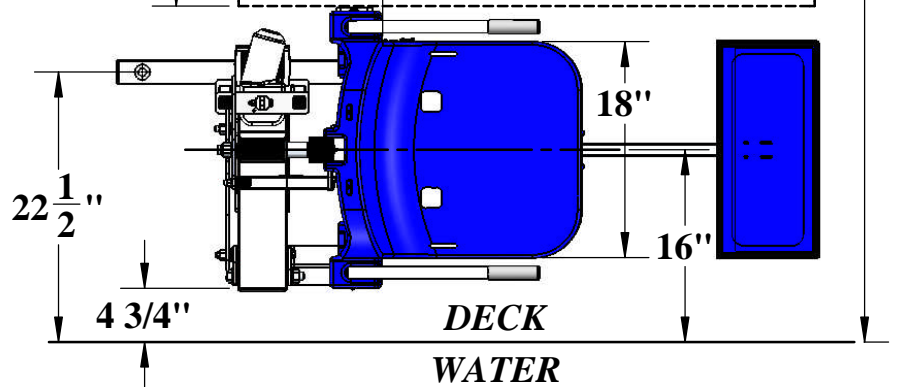
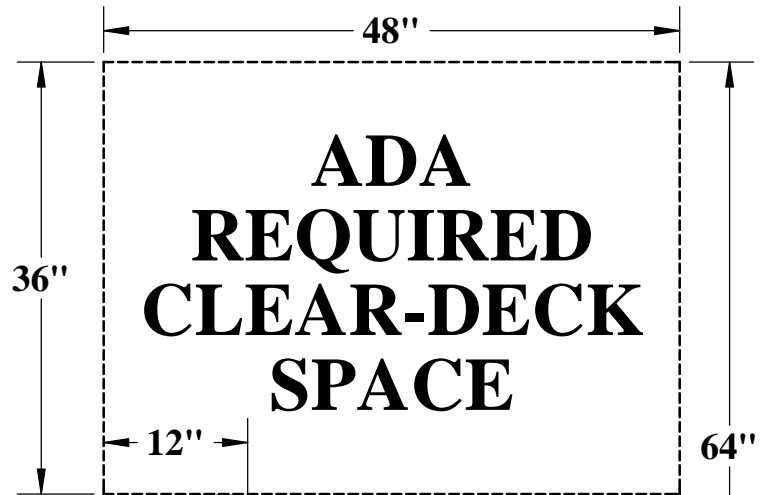
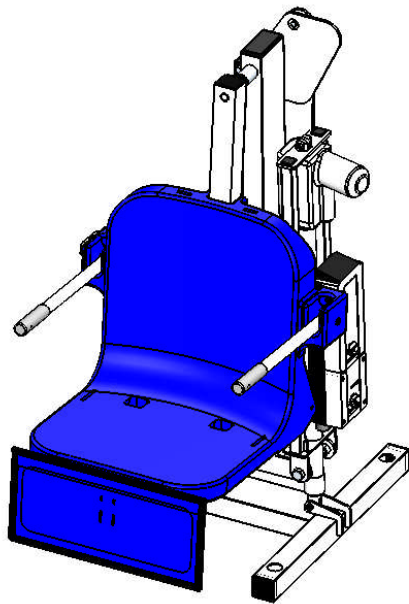


THE PRO POOL-XRTM REVERSE

U.S. PATENT NO'S: [7,249,386 B2] [D507,769 S]



Aqua Creek Products
The Total Solution for Pool and Spa Access

9889 GARRYMORE LANE
MISSOULA, MT 59808
(406) 549-0769
FAX (406) 549-2602

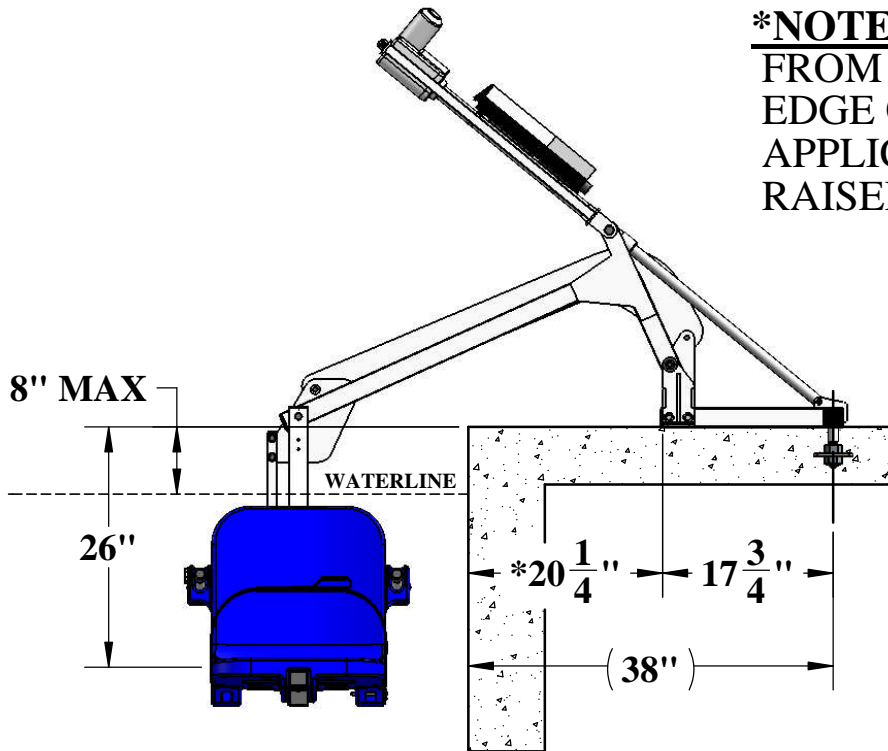
NOTE:
*SPECIFICATIONS ARE SUBJECT TO CHANGE WITHOUT NOTICE

PRODUCT:		F-004PLB-XR-R	
DWG #:		F-004PLB-XR-R-1	
SCALE:	1:16	DATE:	5/23/14
DRAWN BY:	KR	REVISION:	D

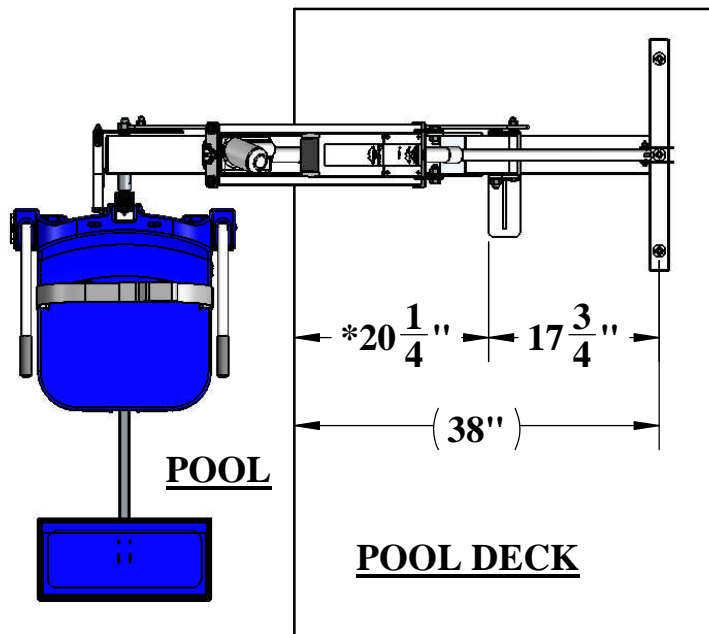
THE PRO POOL-XRTM REVERSE

U.S. PATENT NO'S: [7,249,386 B2] [D507,769 S]

***NOTE:** MAX SETBACK (20 1/4") FROM FRONT OF LIFT TO POOL EDGE ON TYPICAL FLUSH DECK APPLICATION. MAY VARY FOR RAISED (PARAPET) POOLS.



SIDE VIEW - PRO POOL-XR ON FLAT DECK



PLAN VIEW - PRO POOL-XR ON FLAT DECK



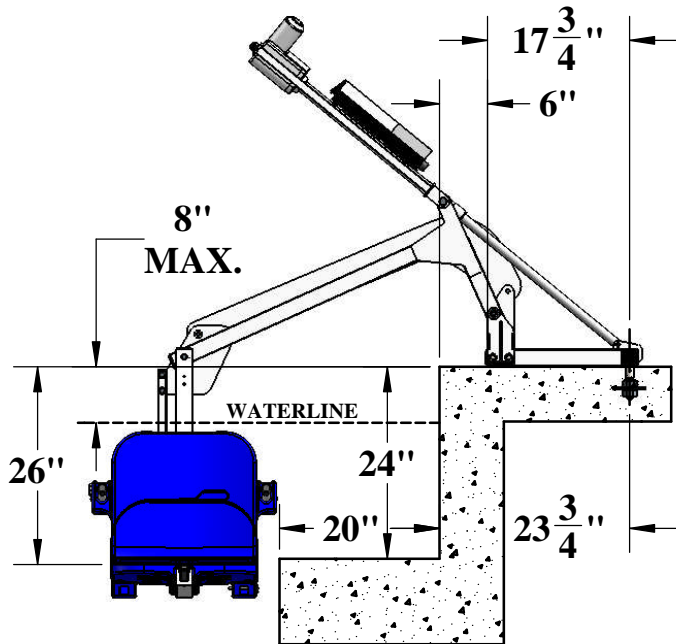
9889 GARRYMORE LANE
 MISSOULA, MT 59808
 (406) 549-0769
 FAX (406) 549-2602

NOTE:
 *SPECIFICATIONS ARE SUBJECT TO CHANGE WITHOUT NOTICE

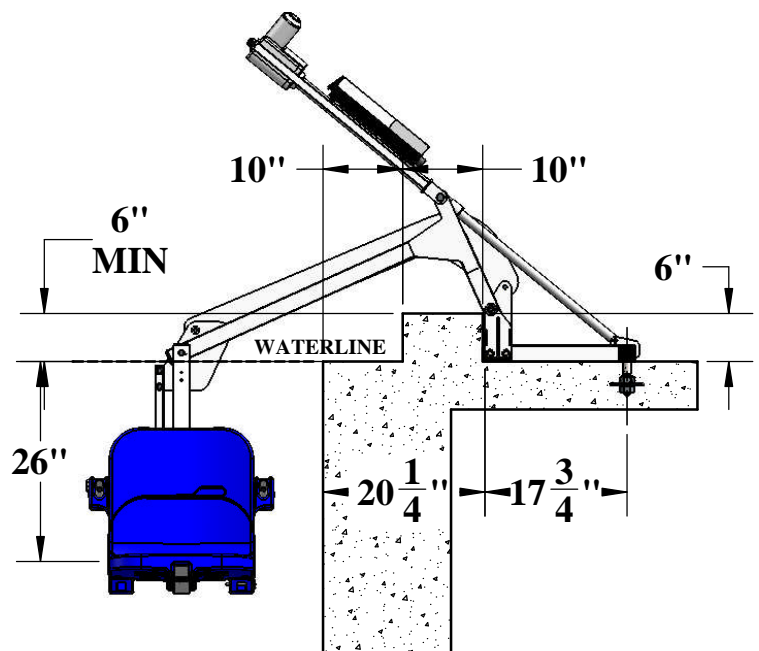
PRODUCT:		F-004PLB-XR-R	
DWG #:		F-004PLB-XR-R-2	
SCALE:	1:20	DATE:	5/23/14
DRAWN BY:	KR	REVISION:	D

THE PRO POOL-XR™ REVERSE

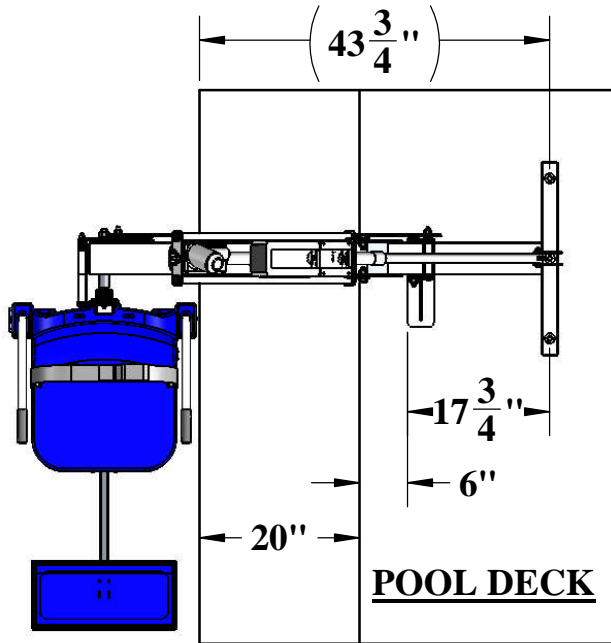
U.S. PATENT NO'S: [7,249,386 B2] [D507,769 S]



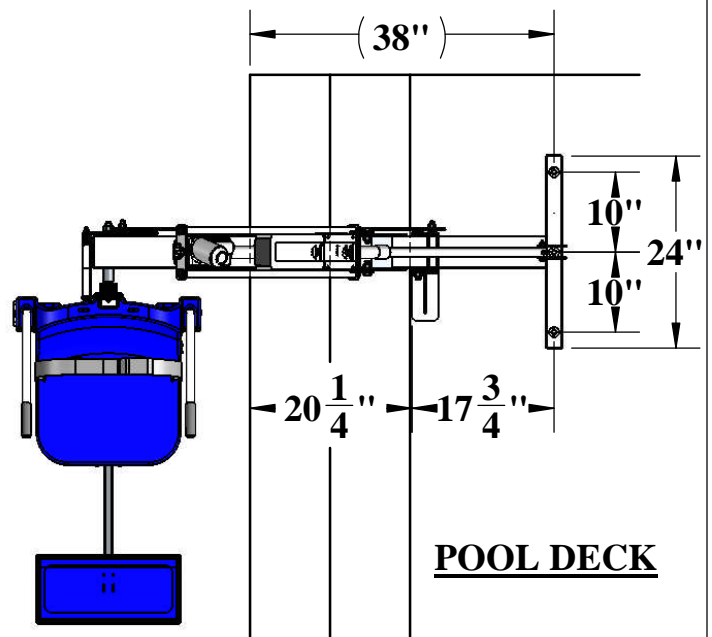
SIDE VIEW
PRO POOL-XR REV. ON TYP. SPA



SIDE VIEW
PRO POOL-XR REV. ON TYP. CURB



PLAN VIEW
PRO POOL-XR REV. ON TYP. SPA



PLAN VIEW
PRO POOL-XR REV. ON TYP. CURB

**TYPICAL DRAWINGS REPRESENT THE MOST COMMON SITUATIONS.
CONTACT AQUA CREEK FOR YOUR SPECIFIC APPLICATION.*



9889 GARRYMORE LANE
MISSOULA, MT 59808
(406) 549-0769
FAX (406) 549-2602

NOTE:
*SPECIFICATIONS ARE SUBJECT TO CHANGE WITHOUT NOTICE

PRODUCT:	F-004PLB-XR-R	
DWG #:	F-004PLB-XR-R-3	
SCALE:	1:24	DATE: 5/23/14
DRAWN BY:	KR	REVISION: D

THE PRO POOLTM-XR REVERSE

U.S. PATENT NO'S: [7,249,386 B2] [D507,769 S]

SPECIFICATIONS:

LIFTING CAPACITY: 350 lbs [159 kg]
STATIC LOAD CAPACITY: 525 lbs [238 kg]

MAX. DRAFT (DECK TO WATER): 8.0" [203mm]
MAX. SETBACK (FRONT OF LIFT TO EDGE OF DECK): 20 1/4" [514mm]

OVERALL HEIGHT (MAX): 48" [1219mm]
MAX. WIDTH (DEPLOYED): 59-3/4" [1517.7mm]
MAX. LENGTH (DEPLOYED): 68" [1727mm]
STOWED LENGTH (MAX): 23-1/2" [597mm]
STOWED WIDTH (NO LEGREST): 38-1/2" [978mm]

WEIGHT: 145lbs [65.8kg]

MATERIALS:

LIFT FRAME: TYPE 304 STAINLESS STEEL
BASEPLATE: TYPE 304 STAINLESS STEEL
CHAIR: LLDPE POLYETHYLENE
SAFETY BELT: HEAVY-DUTY POLYESTER STRAP, HOOK & LOOP FASTENER
POWDER COATING: OFF-WHITE POLYESTER

STANDARD EQUIPMENT:

DUAL FLIP-UP ARMRESTS
FLIP-DOWN LEGREST
SAFETY BELT
24VDC BATTERY & CHARGER
WATER RESISTANT HANDSET-REMOTE
3-PT ANCHOR KIT

AVAILABLE OPTIONS:

PRO POOL-XR LIFT NO ANCHOR (PN: F-004PLB-XRNA)
ANCHOR JIG ASSEMBLY (PN: F-910SAJP)
HEADREST ASSEMBLY (PN: F-422PLH)
STANDARD FOOTREST ASSEMBLY (PN: F-456AAFR)
REVERSE FOOTREST ASSEMBLY (F-456AAFR-R)
COVER, POLYESTER (PN: F-12PPC)



9889 GARRYMORE LANE
MISSOULA, MT 59808
(406) 549-0769
FAX (406) 549-2602

NOTE:
*SPECIFICATIONS ARE SUBJECT TO CHANGE WITHOUT NOTICE

PRODUCT:	F-004PLB-XR-R		
DWG #:	F-004PLB-XR-R-4		
SCALE:	1:1	DATE:	5/23/14
DRAWN BY:	KR	REVISION:	D