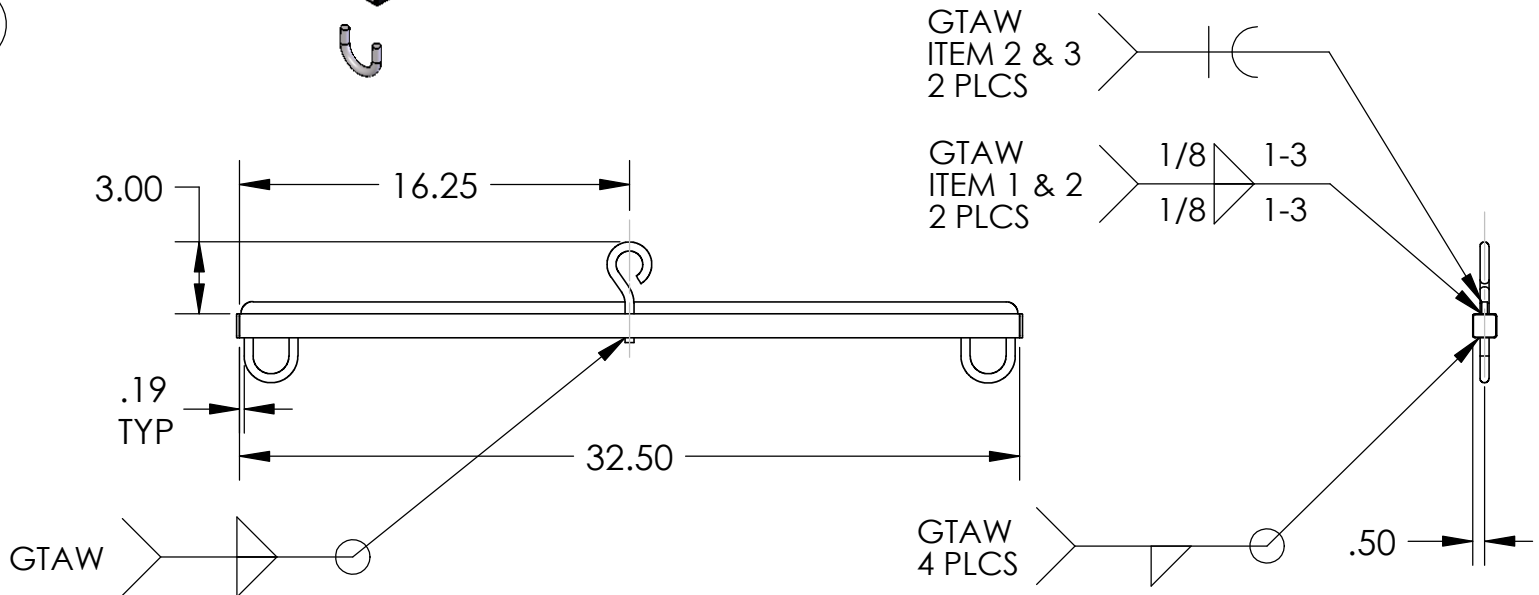
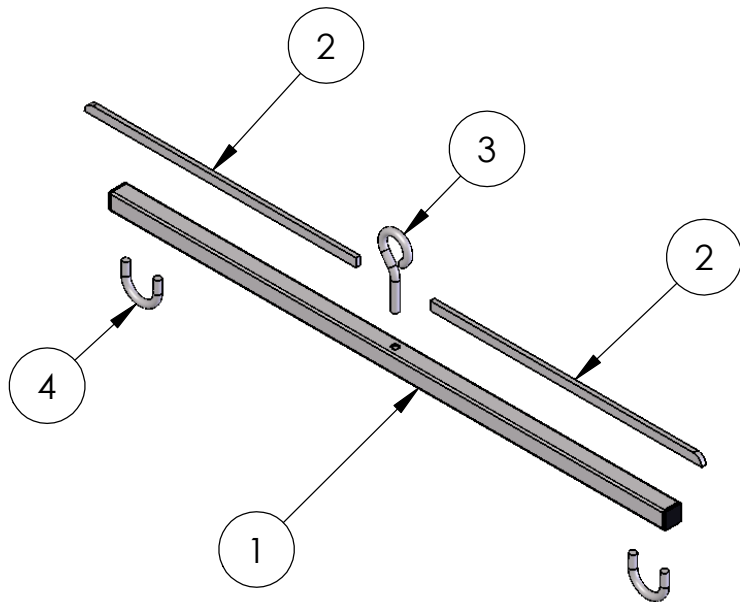


ITEM NO.	QTY.	PART NO.	DESCRIPTION
1	1	REV-910-10	REV HANGER BAR TUBE
2	2	REV-920-10	REV HANGER BAR RIB
3	1	P-03EZHB-H	EZ HANGER BAR HOOK
4	2	U-BOLT FOR EZ BOOM	(TRIMMED)
5	2	1inch sqr plug	1" SQUARE BLACK PLUG



**REVISED 8/4/11  
(LNGTH WAS 24")**

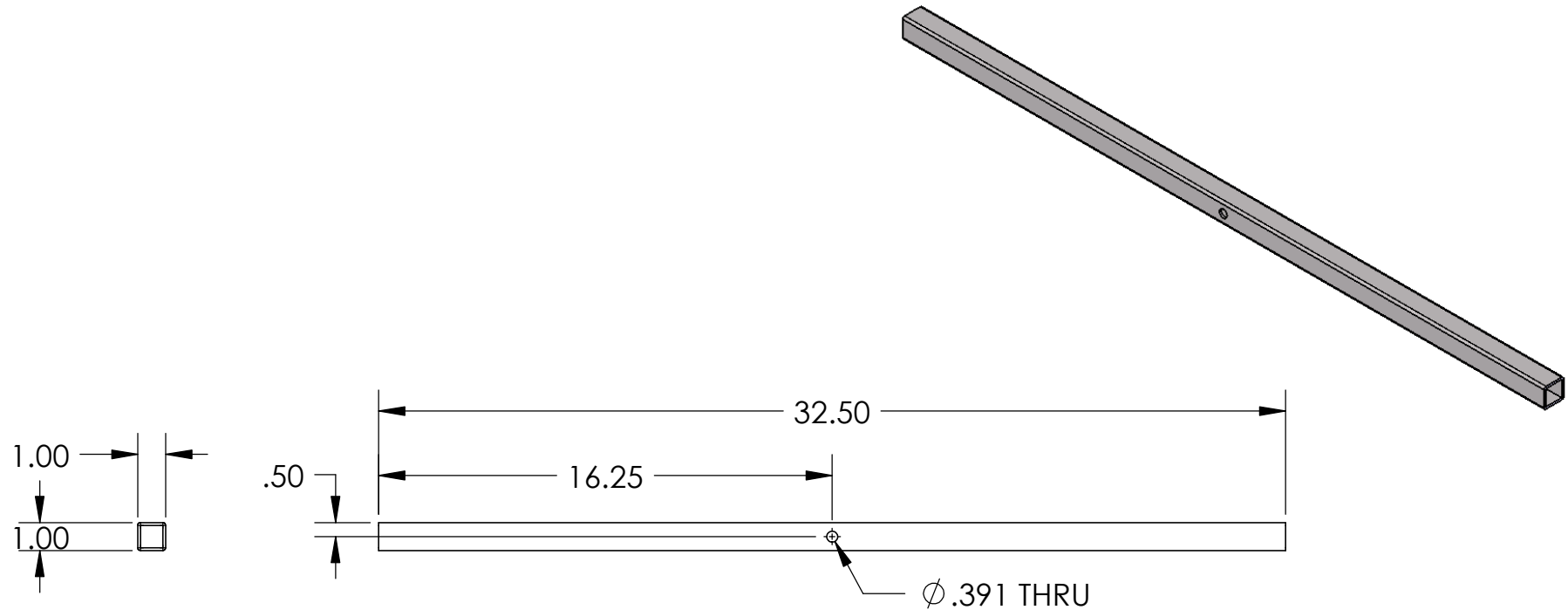
**PROPRIETY AND CONFIDENTIAL INFORMATION**

THIS DRAWING AND ALL INFORMATION CONTAINED HEREIN IS THE SOLE PROPERTY OF AQUA CREEK PRODUCTS LLC. ANY REPRODUCTION IN PART OR AS A WHOLE WITHOUT WRITTEN PERMISSION FROM AQUA CREEK IS PROHIBITED.

TOLERANCES:  
DIMENSIONS ARE IN INCHES  
UNLESS OTHERWISE SHOWN  
FRACTIONAL: ..... ±1/16  
ANGULAR: ..... ±1°  
TWO PLACE DECIMAL: .... ±.01  
THREE PLACE DECIMAL: .. ±.005

**AQUA CREEK PRODUCTS LLC**  
9889 GARRYMORE LANE  
MISSOULA, MT 59808  
406-549-0769  
1-888-687-3552

DESCRIPTION:  
**F-030EZHB: 500LB HANGER**



REV HANGER BAR TUBE


MATERIAL: 1" SQR X .120" WALL TUBE, TYPE 304 S.S.  
 FINISH: MILL  
 QTY: 1 PER UNIT  
 PN: REV-910-10

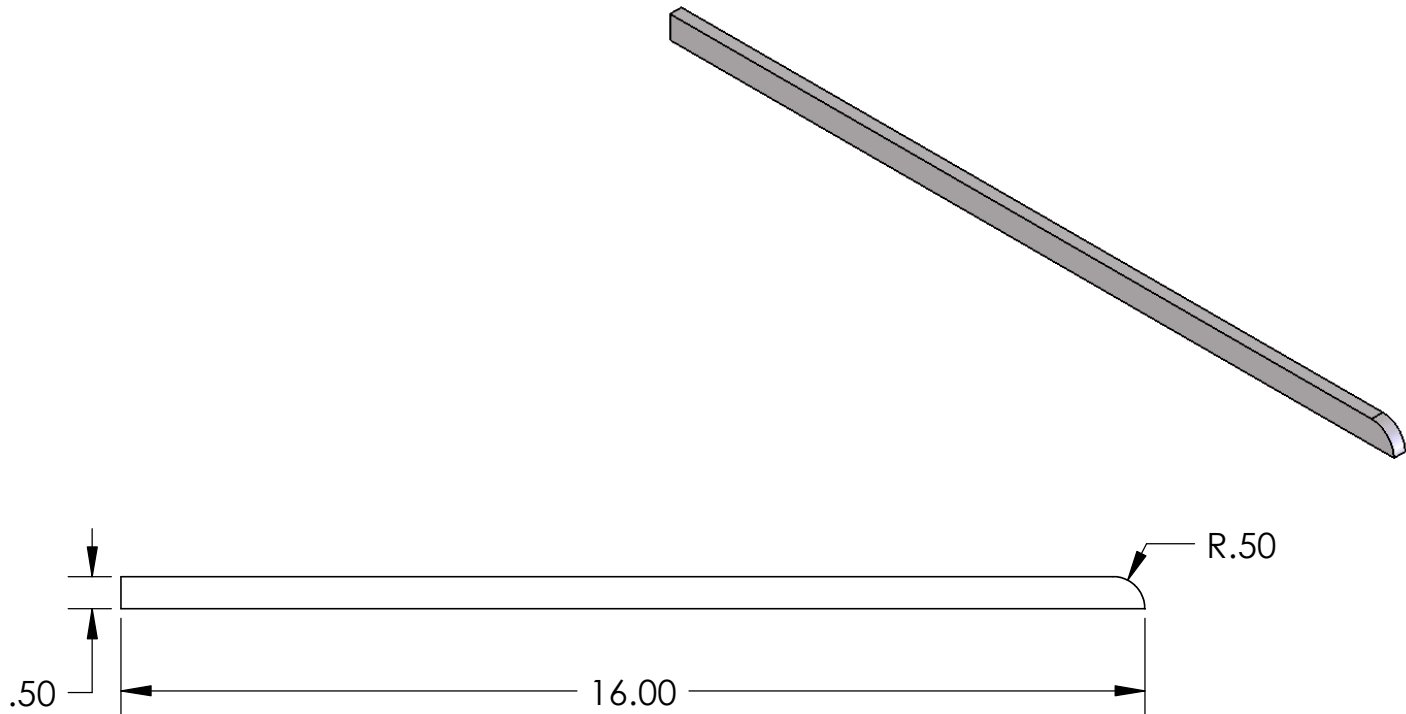
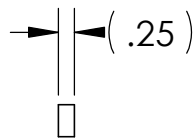
REVISED 8/4/11  
 (LNGTH WAS 24")

**PROPRIETY AND CONFIDENTIAL INFORMATION**

THIS DRAWING AND ALL INFORMATION CONTAINED HEREIN IS THE SOLE PROPERTY OF AQUA CREEK PRODUCTS LLC. ANY REPRODUCTION IN PART OR AS A WHOLE WITHOUT WRITTEN PERMISSION FROM AQUA CREEK IS PROHIBITED.

TOLERANCES:  
 DIMENSIONS ARE IN INCHES  
 UNLESS OTHERWISE SHOWN  
 FRACTIONAL: ..... ±1/16  
 ANGULAR: ..... ±1°  
 TWO PLACE DECIMAL: .... ±.01  
 THREE PLACE DECIMAL: .. ±.005

 <b>AQUA CREEK PRODUCTS LLC</b> 9889 GARRYMORE LANE MISSOULA, MT 59808 406-549-0769 1-888-687-3552		
DESCRIPTION:		
REV-910-10		
SCALE:1:6	10/25/2012	2 of 5



REV HANGER BAR RIB


MATERIAL: 1/2" X 1/4" RECT BAR, TYPE 304 S.S.  
 FINISH: MILL  
 QTY: 2 PER UNIT  
 PN: REV-920-10

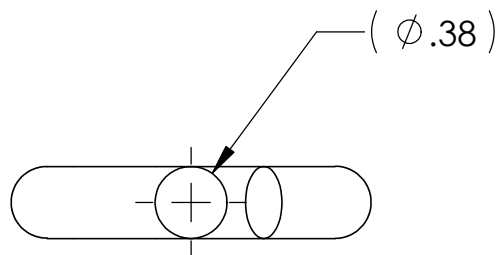
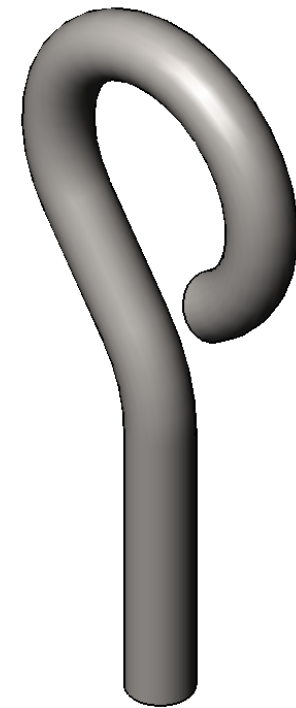
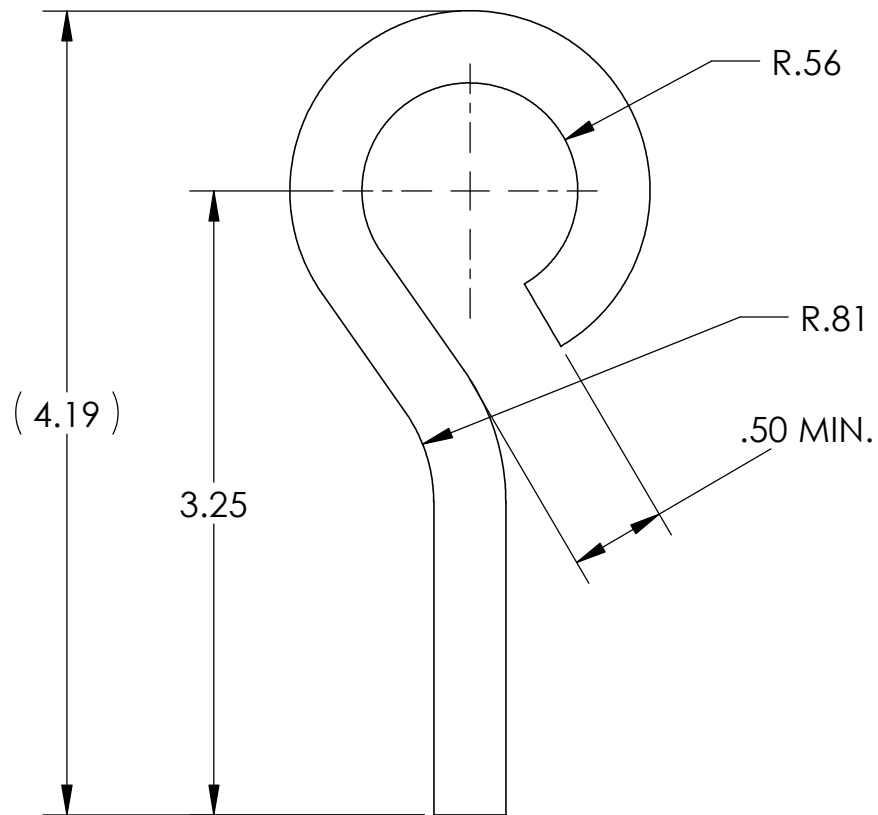
**REVISED 8/4/11  
 (LNGTH WAS 11.75)**

**PROPRIETY AND CONFIDENTIAL INFORMATION**

THIS DRAWING AND ALL INFORMATION CONTAINED HEREIN IS THE SOLE PROPERTY OF AQUA CREEK PRODUCTS LLC. ANY REPRODUCTION IN PART OR AS A WHOLE WITHOUT WRITTEN PERMISSION FROM AQUA CREEK IS PROHIBITED.

TOLERANCES:  
 DIMENSIONS ARE IN INCHES  
 UNLESS OTHERWISE SHOWN  
 FRACTIONAL: ..... ±1/16  
 ANGULAR: ..... ±1°  
 TWO PLACE DECIMAL: .... ±.01  
 THREE PLACE DECIMAL: .. ±.005

 <p><b>AQUA CREEK PRODUCTS LLC</b>          9889 GARRYMORE LANE          MISSOULA, MT 59808          406-549-0769          1-888-687-3552</p>		
DESCRIPTION:		
REV-920-10		
SCALE:1:3	10/25/2012	3 of 5



**EZ HANGER BAR HOOK**


**MATERIAL:**  $\phi$  3/8" RND BAR, TYPE 304 S.S.  
**FINISH:** MILL  
**QTY:** 1 PER UNIT  
**PN:** P-03EZHB-H

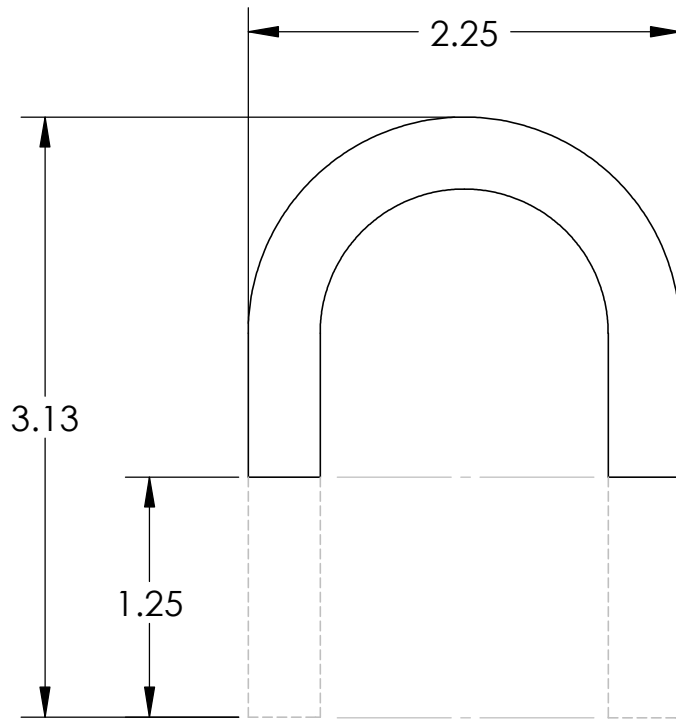
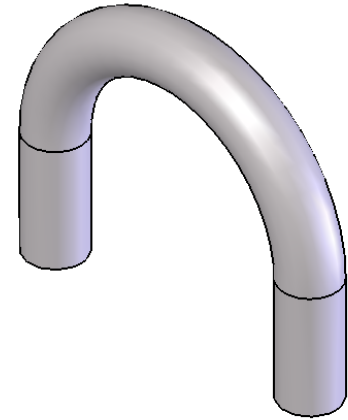
**REVISED 10/7/11  
(PN WAS REV-930-00)**

**PROPRIETY AND CONFIDENTIAL INFORMATION**

THIS DRAWING AND ALL INFORMATION CONTAINED HEREIN IS THE SOLE PROPERTY OF AQUA CREEK PRODUCTS LLC. ANY REPRODUCTION IN PART OR AS A WHOLE WITHOUT WRITTEN PERMISSION FROM AQUA CREEK IS PROHIBITED.

**TOLERANCES:**  
DIMENSIONS ARE IN INCHES  
UNLESS OTHERWISE SHOWN  
FRACTIONAL: .....  $\pm 1/16$   
ANGULAR: .....  $\pm 1^\circ$   
TWO PLACE DECIMAL: ....  $\pm .01$   
THREE PLACE DECIMAL: ..  $\pm .005$

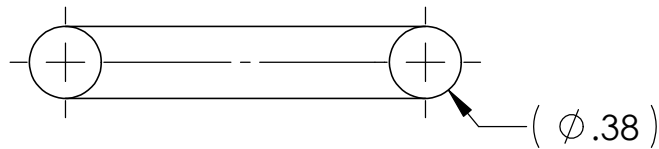
 <b>AQUA CREEK PRODUCTS LLC</b> 9889 GARRYMORE LANE MISSOULA, MT 59808 406-549-0769 1-888-687-3552		
<b>DESCRIPTION:</b> P-03EXHB-H		
SCALE:1:1	10/25/2012	4 of 5



CUT OFF THREADED PORTION  
(BOTH SIDES)

U-BOLT (TRIMMED)

MATERIAL: TYPE 304 S.S.  
FINISH: MILL  
QTY: 2 PER UNIT  
PN: U-BOLT FOR EZ BOOM




REVISED 8/4/11  
(FIXED PN, MTRL)

**PROPRIETY AND CONFIDENTIAL INFORMATION**

THIS DRAWING AND ALL INFORMATION CONTAINED HEREIN IS THE SOLE PROPERTY OF AQUA CREEK PRODUCTS LLC. ANY REPRODUCTION IN PART OR AS A WHOLE WITHOUT WRITTEN PERMISSION FROM AQUA CREEK IS PROHIBITED.

TOLERANCES:  
DIMENSIONS ARE IN INCHES  
UNLESS OTHERWISE SHOWN  
FRACTIONAL: ..... ±1/16  
ANGULAR: ..... ±1°  
TWO PLACE DECIMAL: .... ±.01  
THREE PLACE DECIMAL: .. ±.005

 <p><b>AQUA CREEK PRODUCTS LLC</b> 9889 GARRYMORE LANE MISSOULA, MT 59808 406-549-0769 1-888-687-3552</p>		
DESCRIPTION: <b>U-BOLT (TRIMMED)</b>		
SCALE:1:1	10/25/2012	5 of 5