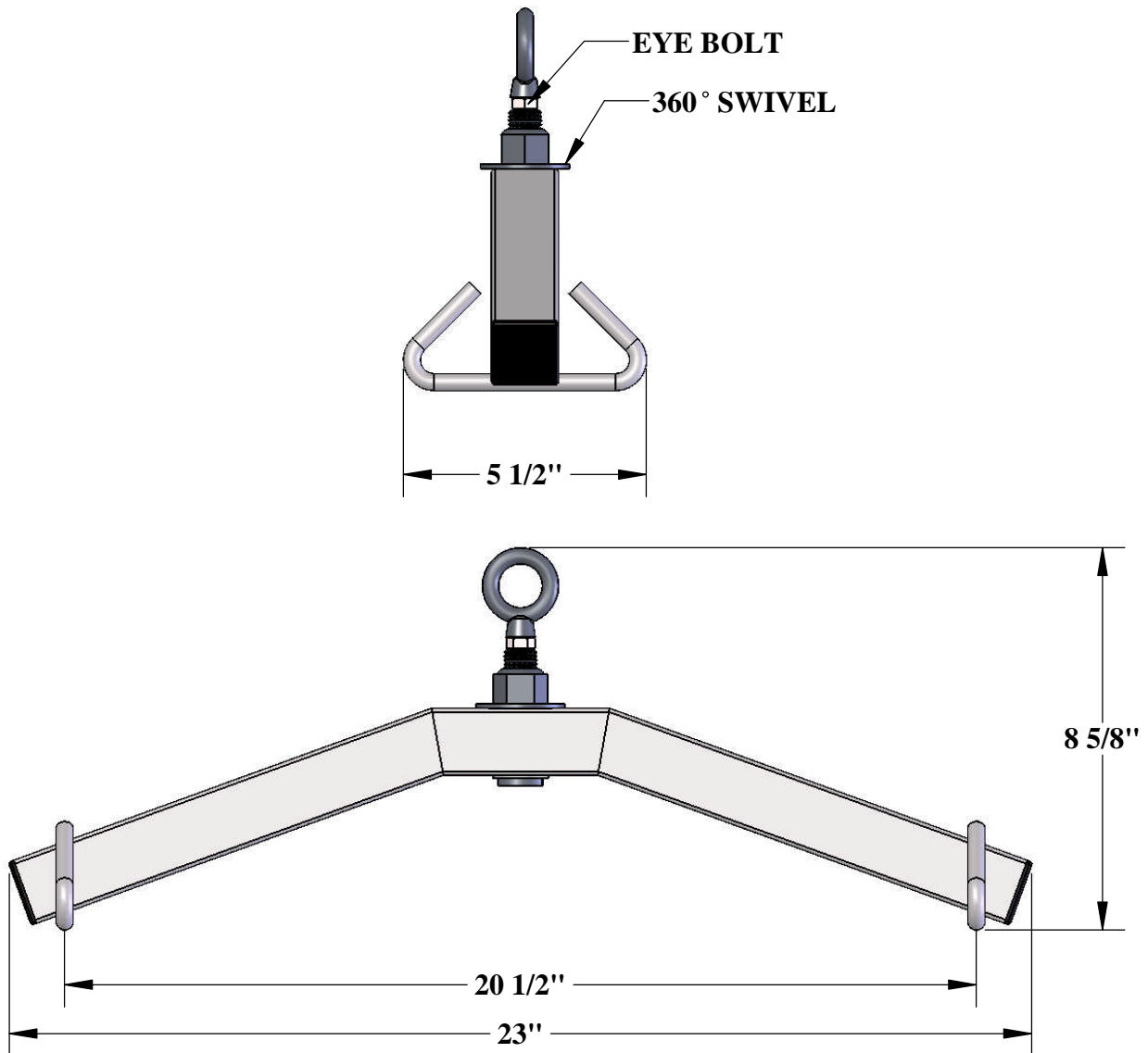


4-POINT HANGER-BAR



SPECIFICATIONS:

THE AQUA CREEK 4-POINT HANGER-BAR SHALL BE USABLE FOR OTHER MANUFACTURER'S 4-POINT ALL-BODY SLINGS. IT SHALL BE CONSTRUCTED ENTIRELY OF POWDER-COATED STAINLESS STEEL, WITH A HIGH-DENSITY POLYETHYLENE BUSHING FOR 360° SWIVELING. IT SHALL HAVE A WEIGHT CAPACITY OF 500 LBS [227 kg]. IT SHALL COME WITH A 3/8" DIA. QUICK-LINK TO ATTACH THE HANGER TO THE DESIRED LIFT. (THE LIFT CAN BE ANY OF THE EZ-STYLE LIFTS OR THE REVOLUTION LIFT, WITH OPTIONAL SLING-ARM AND QUICK-ATTACH BOLTS).



9889 GARRYMORE LANE
 MISSOULA, MT 59808
 (406) 549-0769
 FAX (406) 549-2602

NOTE:
 *SPECIFICATIONS ARE SUBJECT TO CHANGE WITHOUT NOTICE

PRODUCT:	F-03EZHB4P	
DWG #:	F-03EZHB4P	
SCALE:	1:4	DATE: 10/22/13
DRAWN BY:	KR	REVISION: B