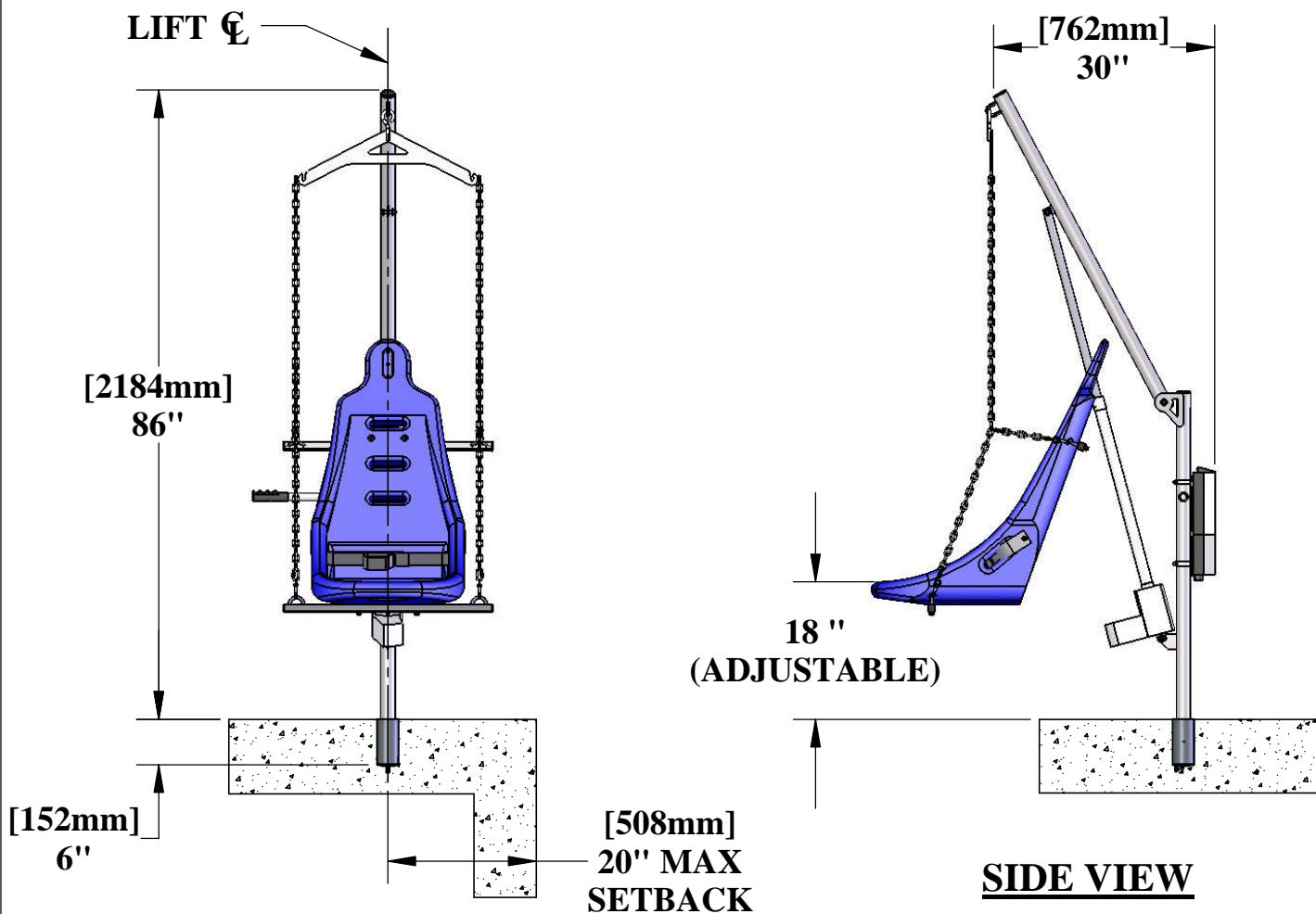
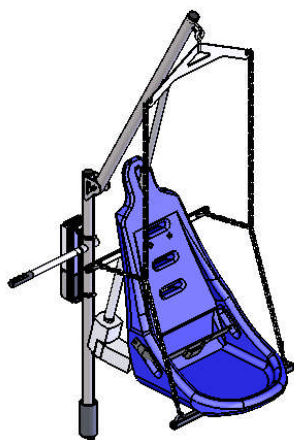


# POWER-EZ POOL™ LIFT - HARD SEAT OPTION



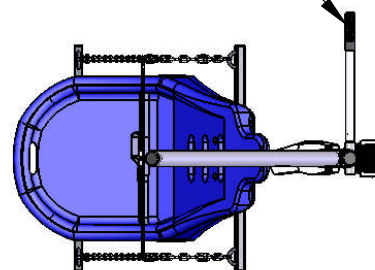
**FRONT VIEW**

**SIDE VIEW**



**ISOMETRIC VIEW**

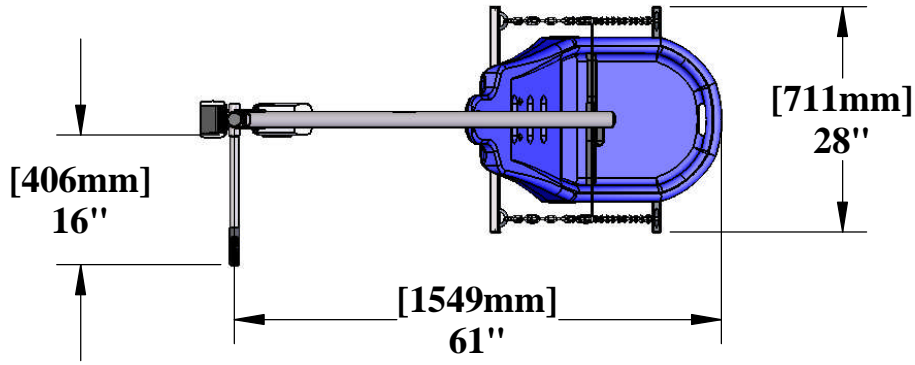
ROTATE-BAR ACCESSORY



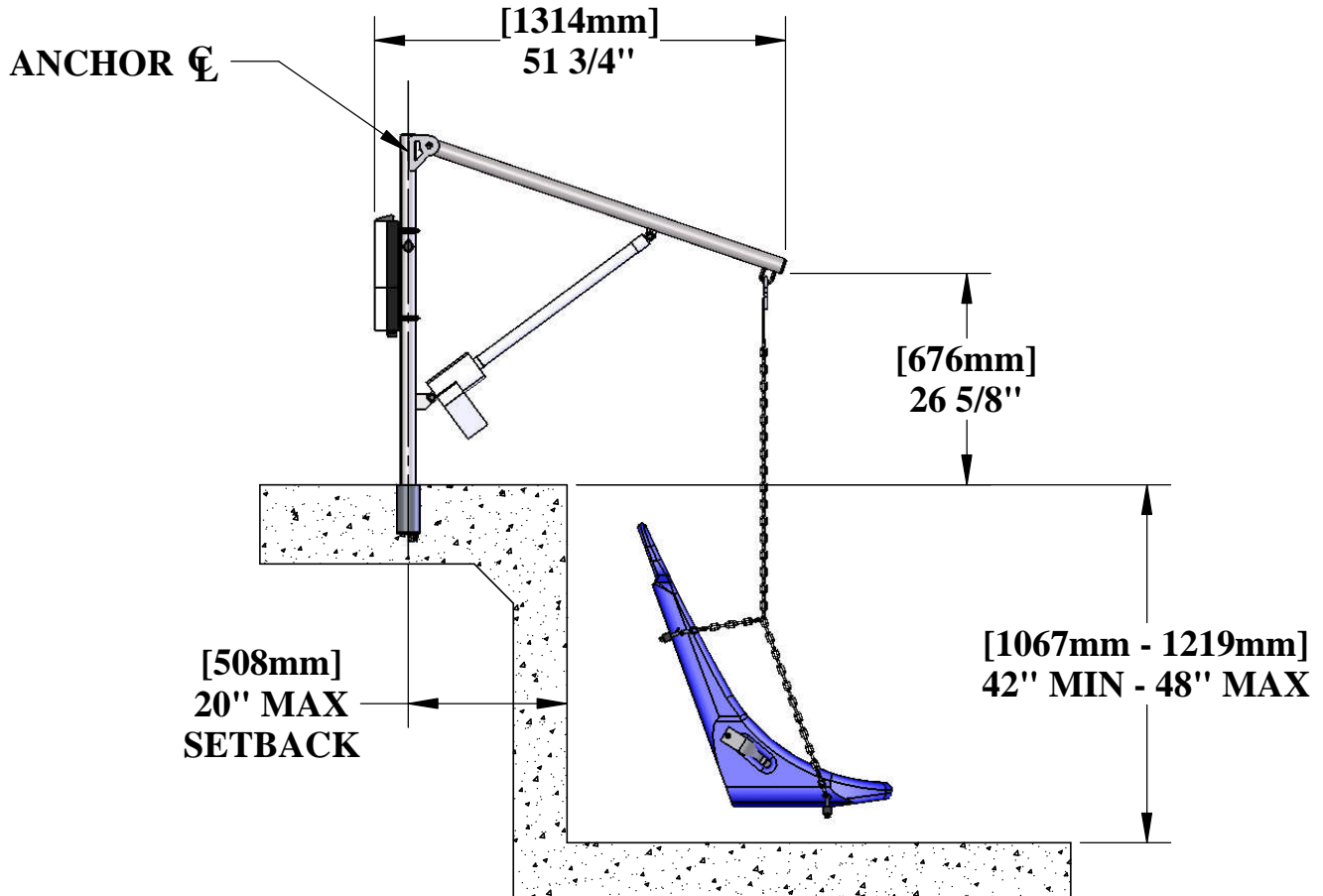
**TOP VIEW**

PRODUCT:		F-03PEZ & F-0320HSO	
DWG #:		F-03PEZ-0320HSO-1	
SCALE:	1:24	DATE:	7/23/13
DRAWN BY:	KR	REVISION:	C

# POWER-EZ POOL™ LIFT - HARD SEAT OPTION



**TOP VIEW  
(LIFT IN WATER)**



**SIDE VIEW  
(LIFT IN WATER)**

**Aqua Creek Products**  
The Total Solution for Pool and Spa Access

9889 GARRYMORE LANE  
MISSOULA, MT 59808  
(406) 549-0769  
FAX (406) 549-2602

NOTE:  
\*SPECIFICATIONS ARE SUBJECT TO CHANGE WITHOUT NOTICE

PRODUCT:		F-03PEZ & F-0320HSO	
DWG #:		F-03PEZ-0320HSO-2	
SCALE:	1:24	DATE:	7/23/13
DRAWN BY:	KR	REVISION:	C

# **POWER-EZ POOL™ LIFT - HARD SEAT OPTION**

## **SPECIFICATIONS:**

**LIFTING CAPACITY: 400 lbs [181 kg]**  
**STATIC LOAD CAPACITY: 600 lbs [272 kg]**

**MAX. DRAFT (DECK TO WATER): 21" [533mm]**  
**MAX. SETBACK (SEE PAGE 2): 20" [508mm]**  
**MAX DEPTH (START @ 18" HT.): 39 [991mm]**  
**OPERATING RANGE (UP-DOWN): 57" [1448mm]**

**OVERALL HEIGHT (MAX): 86" [2184mm]**  
**MAX. WIDTH (DEPLOYED): 28" [711mm]**  
**MAX. LENGTH (DEPLOYED): 51 3/4" [1314mm]**

**WEIGHT: 70 lbs [32kg]**

### **MATERIALS:**

**MAST & BOOM ARM: TYPE 304 STAINLESS STEEL**  
**CHAINS: TYPE 316 STAINLESS STEEL**  
**SLING: 100% POLYESTER MESH**  
**POWDER COATING: OFF-WHITE POLYESTER [PN: 1PC-108-1912 BX50]**

### **STANDARD EQUIPMENT:**

**ROTATE BAR ACCESORY  
CHAIN SET & SLING BARS**

**HANGER BAR  
HARD SEAT**

### **OPTIONAL EQUIPMENT:**

**ADDITIONAL IN GROUND ANCHOR (PN: F-033EZA)**  
**WOOD DECK ANCHOR (PN: F-30600)**  
**SURFACE MOUNT ANCHOR (PN: F-035EZSM)**  
**10" DEEP ANCHOR (PN: F-30220)**  
**CUSTOM EXTENDED ANCHOR ARM (PN: F-031473EZ)**  
**COVER (PN: F-440EZHSC)**



**9889 GARRYMORE LANE  
MISSOULA, MT 59808  
(406) 549-0769  
FAX (406) 549-2602**

NOTE:  
\*SPECIFICATIONS ARE SUBJECT TO CHANGE WITHOUT NOTICE

<b>PRODUCT:</b> F-03PEZ & F-0320HSO	
<b>DWG #:</b> F-03PEZ-0320HSO-3	
<b>SCALE:</b> 1:1	<b>DATE:</b> 7/23/13
<b>DRAWN BY:</b> KR	<b>REVISION:</b> C