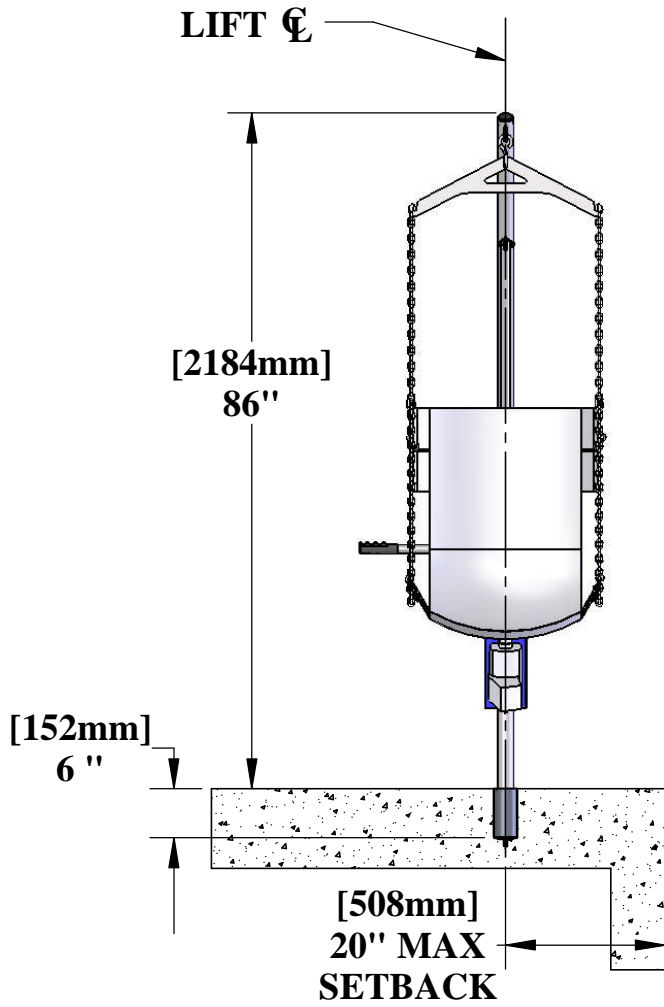
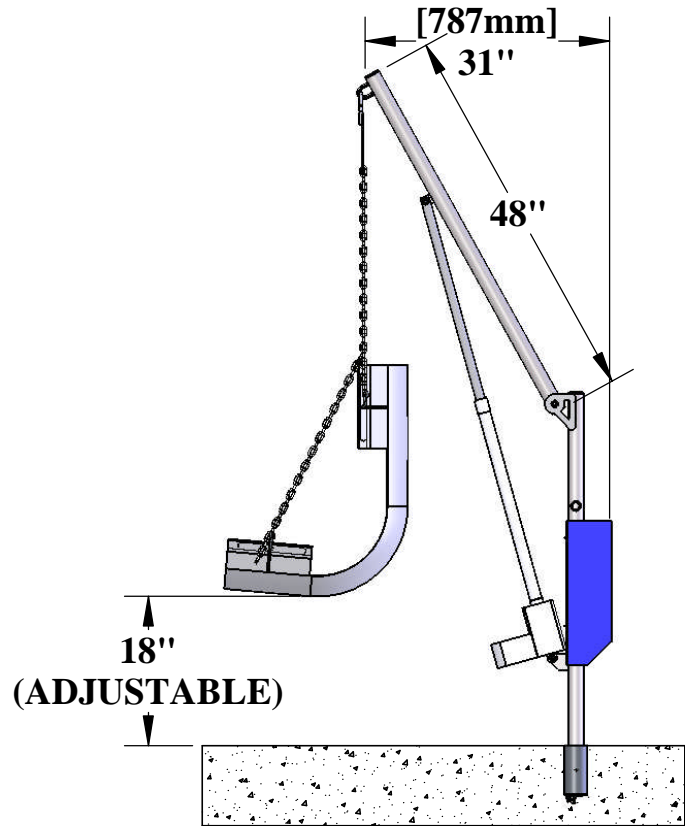


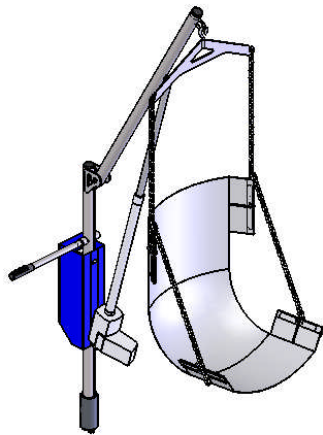
POWER-EZ POOL™ LIFT



FRONT VIEW

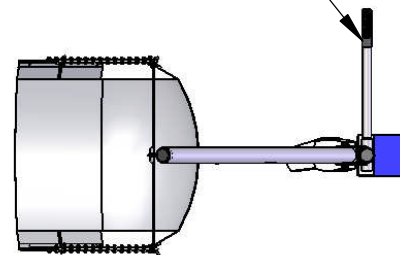


SIDE VIEW



ISOMETRIC VIEW

**ROTATE-BAR
ACCESSORY**



TOP VIEW



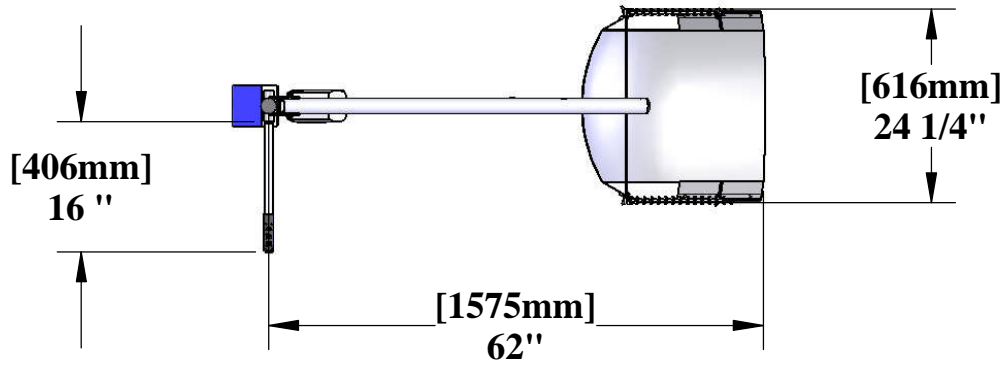
Aqua Creek Products
The Total Solution for Pool and Spa Access

9889 GARRYMORE LANE
MISSOULA, MT 59808
(406) 549-0769
FAX (406) 549-2602

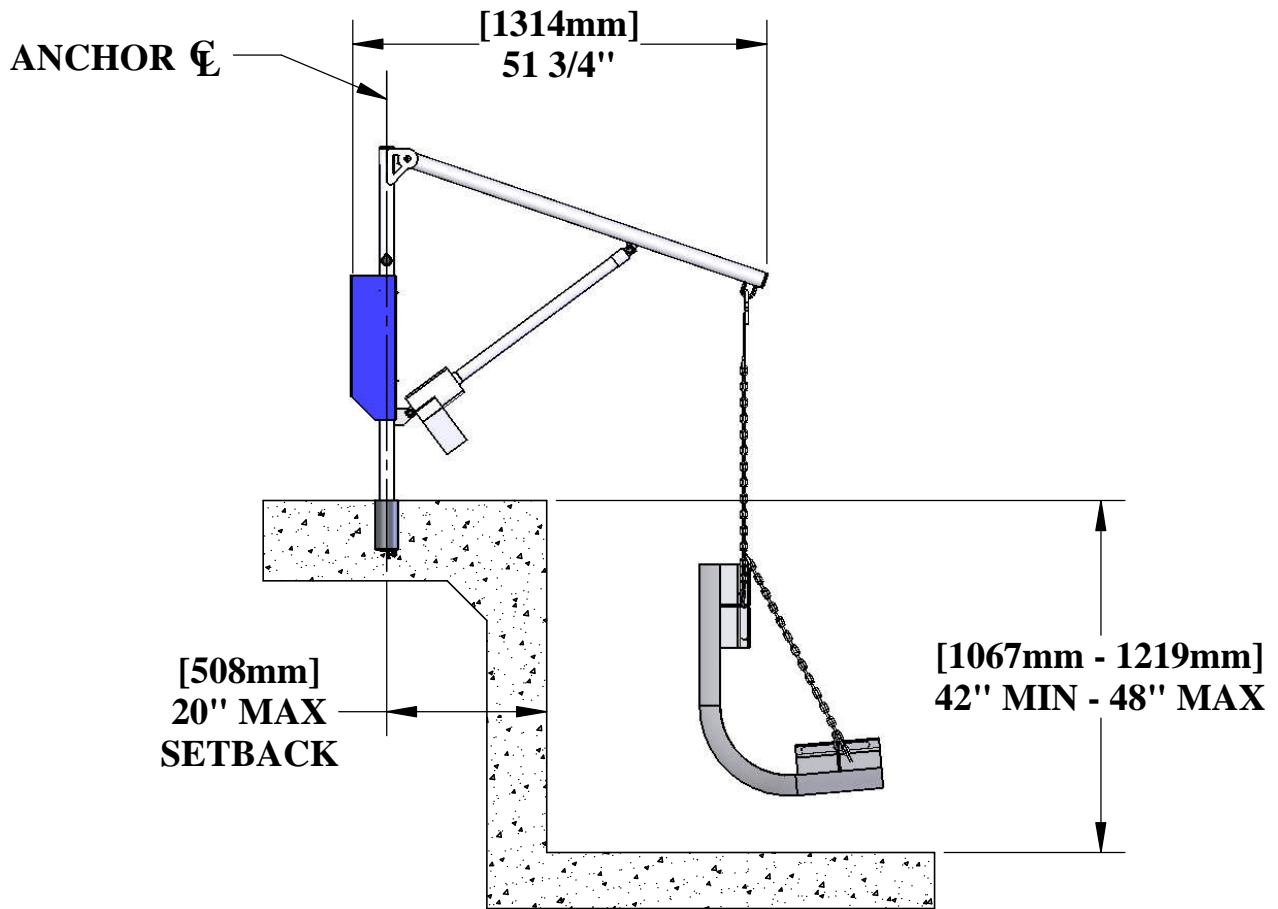
NOTE:
*SPECIFICATIONS ARE SUBJECT TO CHANGE WITHOUT NOTICE

PRODUCT:	F-03PEZ	
DWG #:	F-03PEZ-1	
SCALE:	1:24	DATE: 7/23/13
DRAWN BY:	KR	REVISION: B

POWER-EZ POOL™ LIFT



**TOP VIEW
LIFT IN WATER**



**SIDE VIEW
LIFT IN WATER**

Aqua Creek Products
The Total Solution for Pool and Spa Access

9889 GARRYMORE LANE
MISSOULA, MT 59808
(406) 549-0769
FAX (406) 549-2602

NOTE:
*SPECIFICATIONS ARE SUBJECT TO CHANGE WITHOUT NOTICE

PRODUCT:	F-03PEZ	
DWG #:	F-03PEZ-2	
SCALE:	1:24	DATE: 7/23/13
DRAWN BY:	KR	REVISION: B

POWER-EZ POOL™ LIFT

SPECIFICATIONS:

LIFTING CAPACITY: 400 lbs [181 kg]
STATIC LOAD CAPACITY: 600 lbs [272 kg]

MAX. DRAFT (DECK TO WATER): 20" [508mm]
MAX. SETBACK (SEE PAGE 2): 20" [508mm]

OVERALL HEIGHT (MAX): 86" [2184mm]
MAX. WIDTH (DEPLOYED): 24 1/4" [616mm]
MAX. LENGTH (DEPLOYED): 51 3/4" [1314mm]
OPERATING RANGE (STROKE): 55" [1397mm]

WEIGHT: 70lbs [32kg]

MATERIALS:

MAST & BOOM ARM: TYPE 304 STAINLESS STEEL
CHAINS: TYPE 316 STAINLESS STEEL
SLING: 100% POLYESTER MESH
POWDER COATING: OFF-WHITE POLYESTER [PN: 1PC-108-1912 BX50]

STANDARD EQUIPMENT:

**ROTATE BAR ACCESSORY
CHAIN SET & SLING BARS**

**HANGER BAR
MESH SLING**

OPTIONAL EQUIPMENT:

ADDITIONAL IN GROUND ANCHOR	(PN: F-033EZA)
WOOD DECK ANCHOR	(PN: F-30600)
SURFACE MOUNT ANCHOR	(PN: F-035EZSM)
10" DEEP ANCHOR	(PN: F-30220)
CUSTOM EXTENDED ANCHOR ARM	(PN: F-031473EZ)
COVER	(PN: F-440EZC)
YOUTH SLING	(PN: F-34EZCS)
EXTRA LENGTH SLING	(PN: F-037EZLS)
YOUTH SLING WITH SEATBELT	(PN: F-360YSLSB)
ADULT SLING WITH SEATBELT	(PN: F-350SLSB)



9889 GARRYMORE LANE
MISSOULA, MT 59808
(406) 549-0769
FAX (406) 549-2602

NOTE:
*SPECIFICATIONS ARE SUBJECT TO CHANGE WITHOUT NOTICE

PRODUCT:		F-03PEZ	
DWG #:		F-03PEZ-3	
SCALE:	1:1	DATE:	7/23/13
DRAWN BY:	KR	REVISION:	B