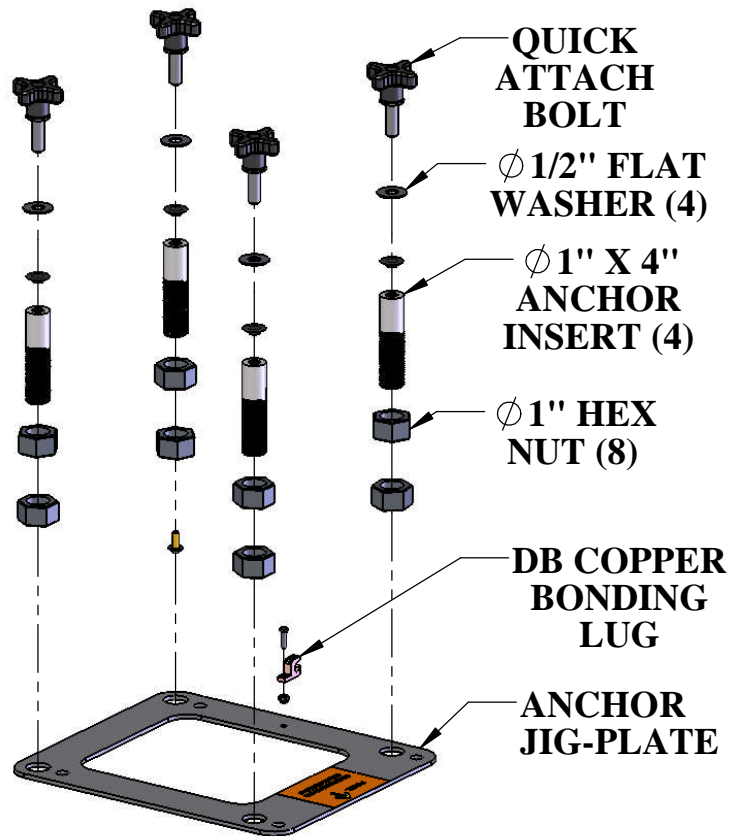
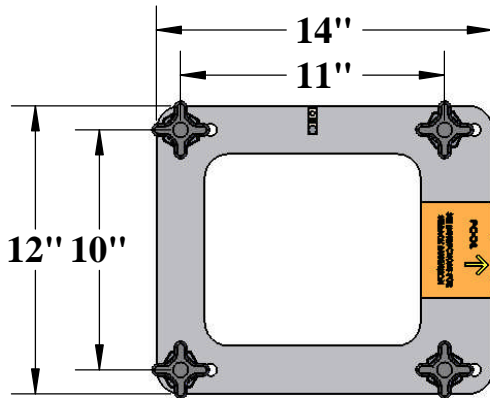


QUICK ATTACH ANCHOR KIT ASSEMBLY



SPECIFICATIONS:

THE QUICK ATTACH ANCHOR KIT ASSEMBLY PROVIDES SEVERAL ANCHORING SOLUTIONS FOR ALL AQUA CREEK AT-SERIES LIFTS; INCLUDING THE PRO POOL-AT & RANGER-AT. THE QUICK ATTACH ANCHOR KIT ASSEMBLY CAN BE USED FOR EXISTING OR NEW CONSTRUCTION POOL & SPA DECKS. FOR NEW CONSTRUCTION THE ANCHOR JIG-PLATE IS EMBEDDED IN THE CONCRETE DECK, AND IS BONDED USING A SOLID-COPPER DIRECT-BURIAL TYPE LUG. FOR EXISTING DECKS THE JIG-PLATE ACTS AS A TEMPLATE AND A HOLDING FIXTURE. SEE THE LIFT'S OWNERS MANUAL FOR INSTALLATION INSTRUCTIONS & DIMENSIONS.



9889 GARRYMORE LANE
MISSOULA, MT 59808
(406) 549-0769
FAX (406) 549-2602

NOTE:
*SPECIFICATIONS ARE SUBJECT TO CHANGE WITHOUT NOTICE

PRODUCT:	F-046QAB-AT1	
DWG #:	F-046QAB-AT1-1	
SCALE:	1:8	DATE: 11/4/13
DRAWN BY:	KR	REVISION: B