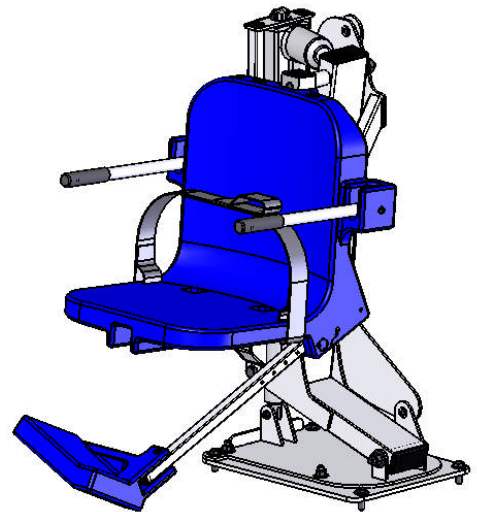
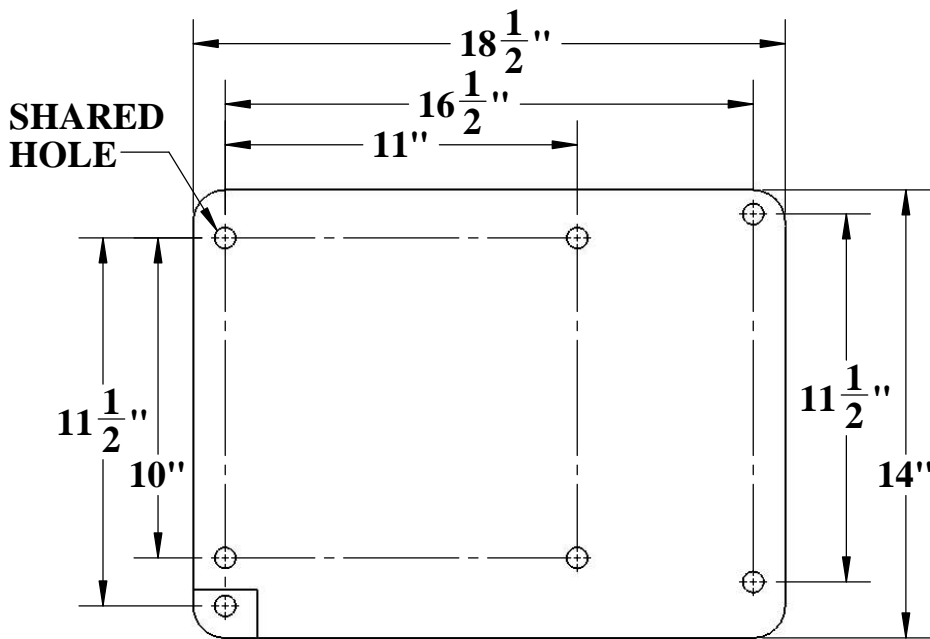


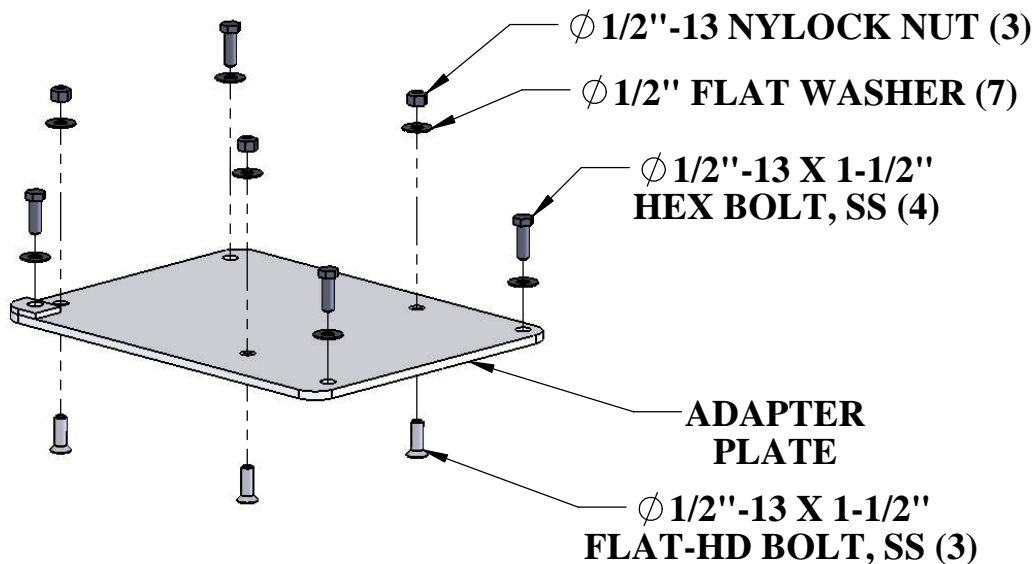
# AT-SERIES ADAPTER PLATE



**AT ADAPTER ON PRO POOL-AT**

**ADAPTS OLD-STYLE PRO POOL ANCHOR TO NEW AT-SERIES ANCHOR PATTERN;**

**10" X 11" PATTERN FITS NEW AT-SERIES LIFTS\*.  
11-1/2" X 16-1/2" FITS OLD-STYLE PRO POOL.  
UPPER-LEFT HOLE IS SHARED.**



**\*INCLUDES PRO POOL-AT, PRO POOL-AT REVERSE, PRO POOL-AT EXTENDED BASE & RANGER-AT**



9889 GARRYMORE LANE  
MISSOULA, MT 59808  
(406) 549-0769  
FAX (406) 549-2602

NOTE:  
\*SPECIFICATIONS ARE SUBJECT TO CHANGE WITHOUT NOTICE

PRODUCT:	<b>F-04ATAP</b>	
DWG #:	<b>F-04ATAP-1</b>	
SCALE:	<b>1:24</b>	DATE: <b>10/4/12</b>
DRAWN BY:	<b>DS</b>	REVISION: <b>A</b>