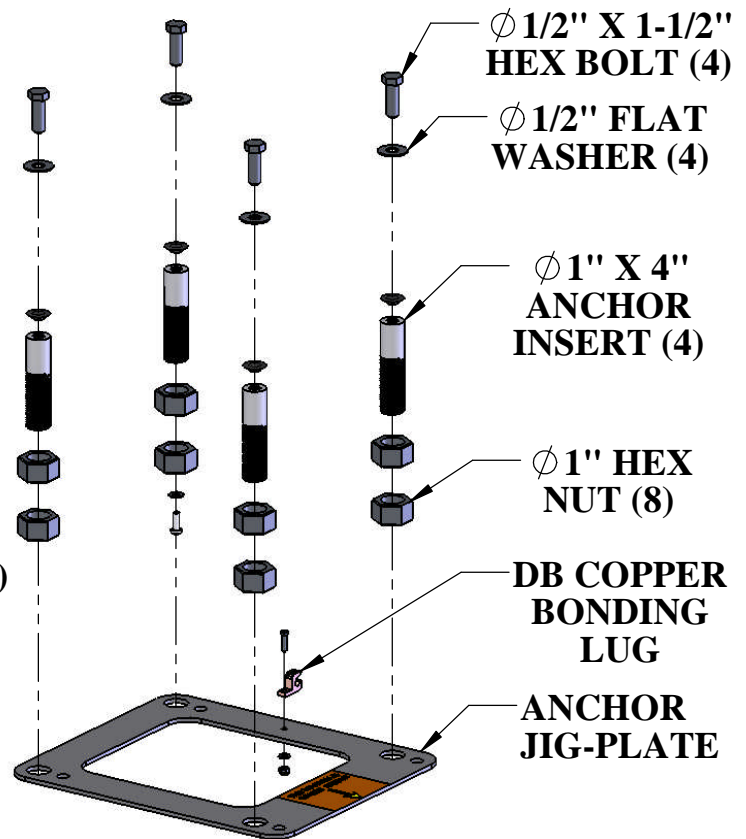
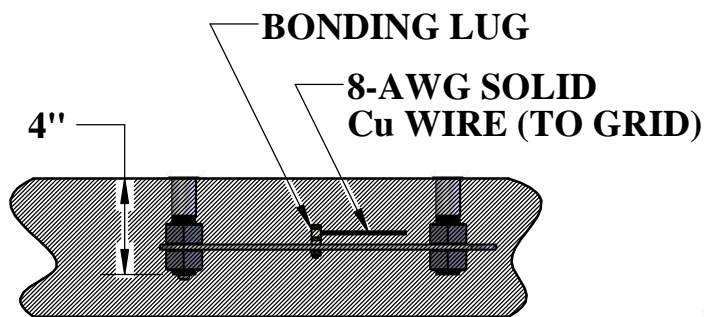
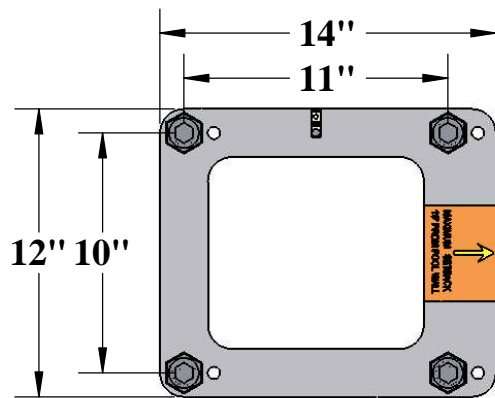


# AT ANCHOR JIG-PLATE



## SPECIFICATIONS:

THE AT ANCHOR JIG-PLATE ASSEMBLY PROVIDES SEVERAL ANCHORING SOLUTIONS FOR ALL AQUA CREEK AT-SERIES LIFTS; INCLUDING THE PRO POOL-AT & RANGER-AT. THE AT-ANCHOR JIG-PLATE ASSEMBLY CAN BE USED FOR EXISTING OR NEW CONSTRUCTION POOL & SPA DECKS. FOR NEW CONSTRUCTION THE ANCHOR JIG-PLATE IS EMBEDDED IN THE CONCRETE DECK, AND IS BONDED USING A SOLID-COPPER DIRECT-BURIAL TYPE LUG. FOR EXISTING DECKS THE JIG-PLATE ACTS AS A TEMPLATE AND A HOLDING FIXTURE. SEE THE LIFT'S OWNERS MANUAL FOR INSTALLATION INSTRUCTIONS & DIMENSIONS.



9889 GARRYMORE LANE  
 MISSOULA, MT 59808  
 (406) 549-0769  
 FAX (406) 549-2602

NOTE:  
 \*SPECIFICATIONS ARE SUBJECT TO CHANGE WITHOUT NOTICE

PRODUCT:	F-04CAJP	
DWG #:	F-04CAJP-1	
SCALE:	1:24	DATE: 8/15/12
DRAWN BY:	DS	REVISION: A