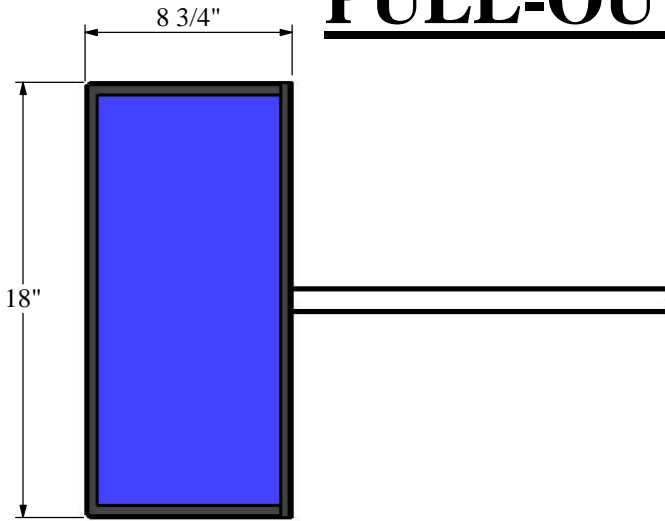
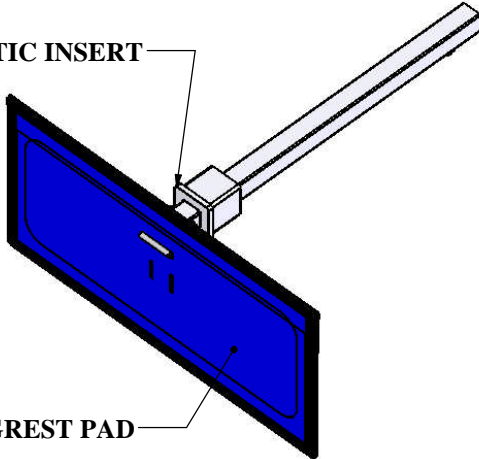


PULL-OUT LEGREST

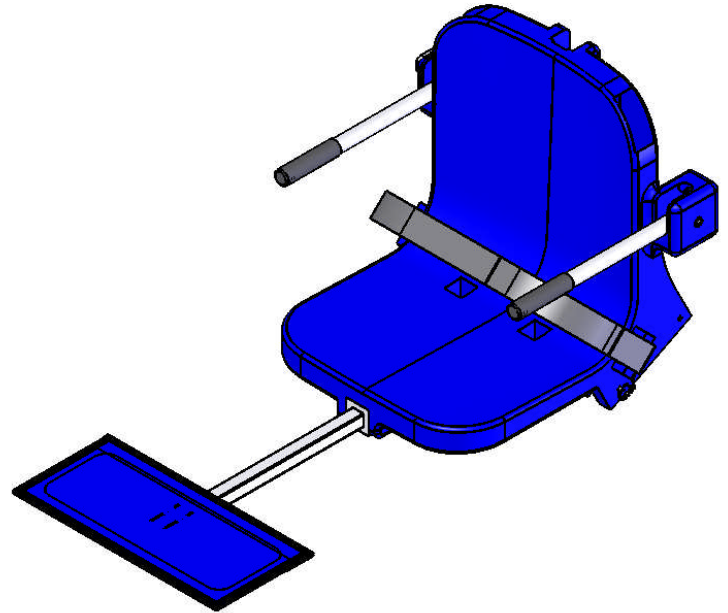


PLASTIC INSERT



LEGREST PAD

LEGREST FLIPPED DOWN



LEGREST OUT AND UP

SPECIFICATIONS

THE PULL-OUT LEGREST SHALL BE CONSTRUCTED OF TYPE 304 STAINLESS STEEL. THE LEGREST SHALL BE EXTENDABLE TO ACCOMMODATE A WIDE RANGE OF USERS. THE LEGREST SHALL BE FLIPPED UP WHILE IN USE AND MAY BE EASILY FLIPPED DOWN. THE LEGREST PAD SHALL BE MADE OF CLOSED CELL FOAM, WITH A FIBERGLASS REINFORCED VINYL COVER.

THE PULL-OUT LEGREST IS AVAILABLE AS AN OPTION FOR ALL SPA LIFTS, PRO POOL LIFTS AND THE REVOLUTION LIFT. IT MAY ALSO BE EASILY RETROFITTED TO ANY EXISTING SPA, PRO POOL OR REVOLUTION LIFT.

9889 GARRY MORE LANE
 MISSOULA, MT 59808
 (406) 549-0769
 FAX (406) 549-2602

NOTE:

*SPECIFICATIONS ARE SUBJECT TO CHANGE WITHOUT NOTICE
 *ALL DIMENSIONS ARE IN INCHES

| | | |
|-----------|------------------|--------------|
| PRODUCT: | PULL-OUT LEGREST | |
| DWG #: | F-105LAR | |
| SCALE: | 1:8 | DATE: 5/2/12 |
| DRAWN BY: | DS | REVISION: C |