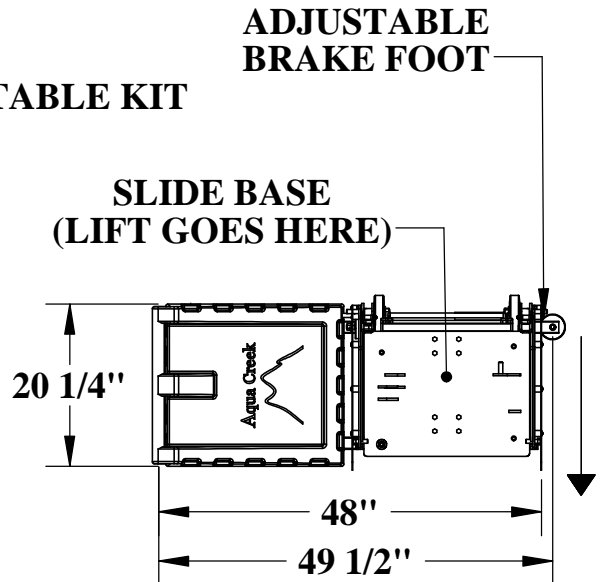
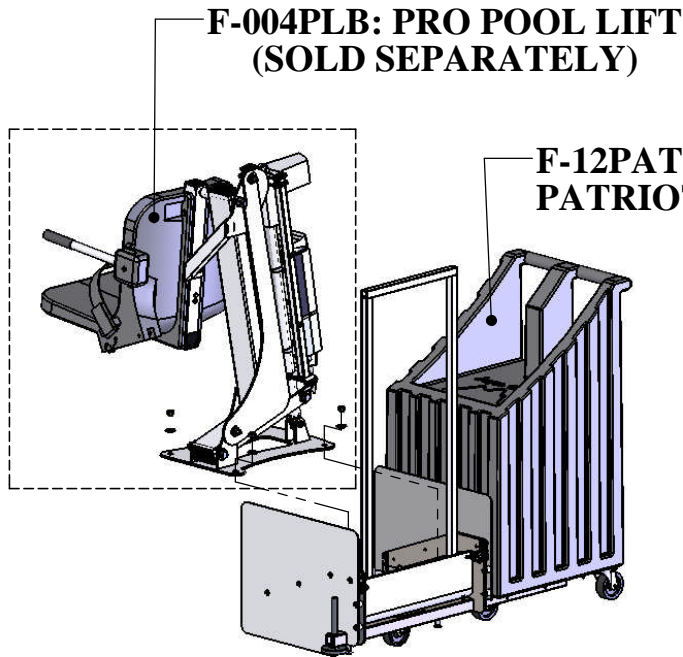
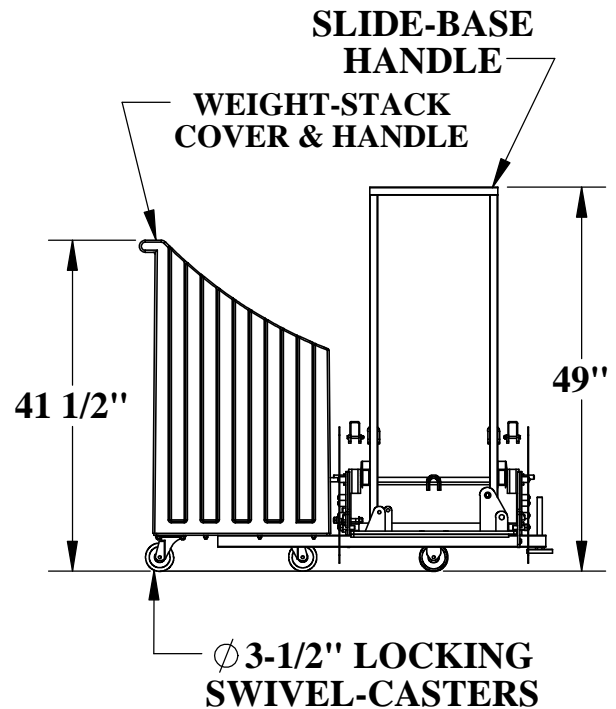


PATRIOT PORTABLE™ KIT



SPECIFICATIONS:

THE AQUA CREEK PATRIOT PORTABLE KIT, WHEN COMBINED WITH THE PRO POOL LIFT, SHALL BE AN ADA COMPLIANT FULLY PORTABLE POOL LIFT. IT SHALL HAVE A MAXIMUM LIFTING CAPACITY OF 450LBS [204 kg]. THE KIT SHALL INCORPORATE A SLIDE-BASE, ALLOWING THE PRO POOL LIFT TO BE STORED ON TOP OF THE FRAME FOR TRANSPORT WITHOUT REQUIRING ANY DISSASSEMBLY OR TOOLS. IN THE TRANSPORT CONFIGURATION, THE ASSEMBLY SHALL BE CAPABLE OF BEING ROLLED THROUGH A STANDARD 36" WIDE DOORWAY. ALL METAL COMPONENTS SHALL BE MADE OF TYPE 304 STAINLESS STEEL, AND SHALL BE POWDER COATED FOR ADDITIONAL CORROSION RESISTANCE. THE COVER SHALL BE MADE FROM ROTOMOLDED POLYETHYLENE. ALL OTHER PLASTIC PARTS SHALL BE MADE FROM UHMW POLYETHYLENE. THE PATRIOT PORTABLE KIT SHALL CARRY A LIMITED LIFETIME WARRANTY.



9889 GARRYMORE LANE
 MISSOULA, MT 59808
 (406) 549-0769
 FAX (406) 549-2602

NOTE:
 *SPECIFICATIONS ARE SUBJECT TO CHANGE WITHOUT NOTICE



Aqua Creek Products
 The Total Solution for Pool and Spa Access

PRODUCT:	F-12PATK	
DWG #:	F-12PATK-1	
SCALE:	1:24	DATE: 9/10/13
DRAWN BY:	KR	REVISION: B