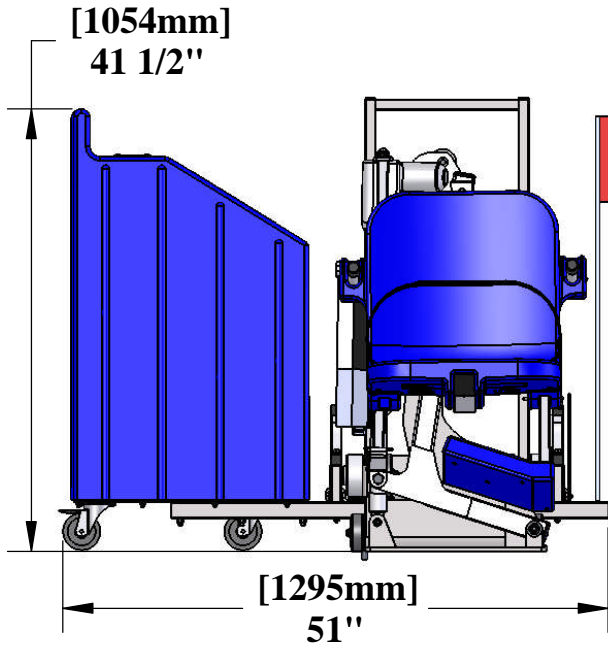
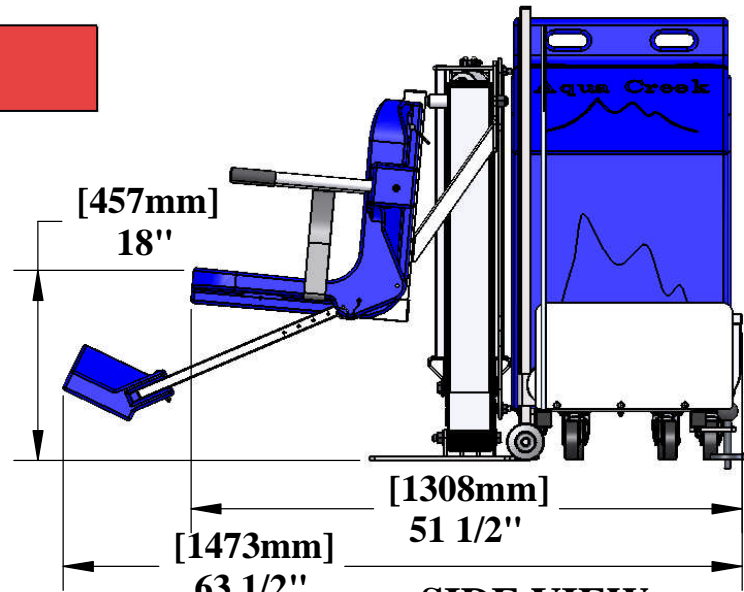


# PATRIOT-AT™ DEEP DRAFT LIFT

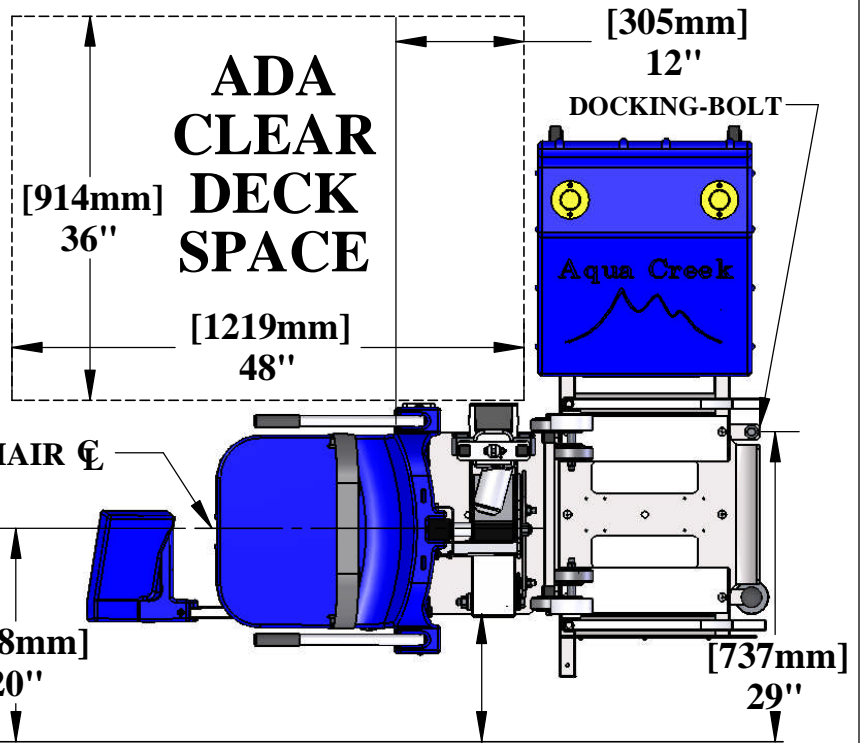
U.S. PATENT NO'S: [7,249,386 B2] [5,790,995] [D507,769 S]



**FRONT VIEW**



**SIDE VIEW**



**ADA  
CLEAR  
DECK  
SPACE**

**DECK**

**POOL**

**[305mm]  
12\"/>**

**TOP VIEW**

Inspected And Verified To Meet  
Applicable Sections of ADA  
Guidelines Section 1009.2 By

**wyle**  
laboratories

A Registered ISO 9001  
Laboratory



**Aqua Creek Products**

The Total Solution for Pool and Spa Access

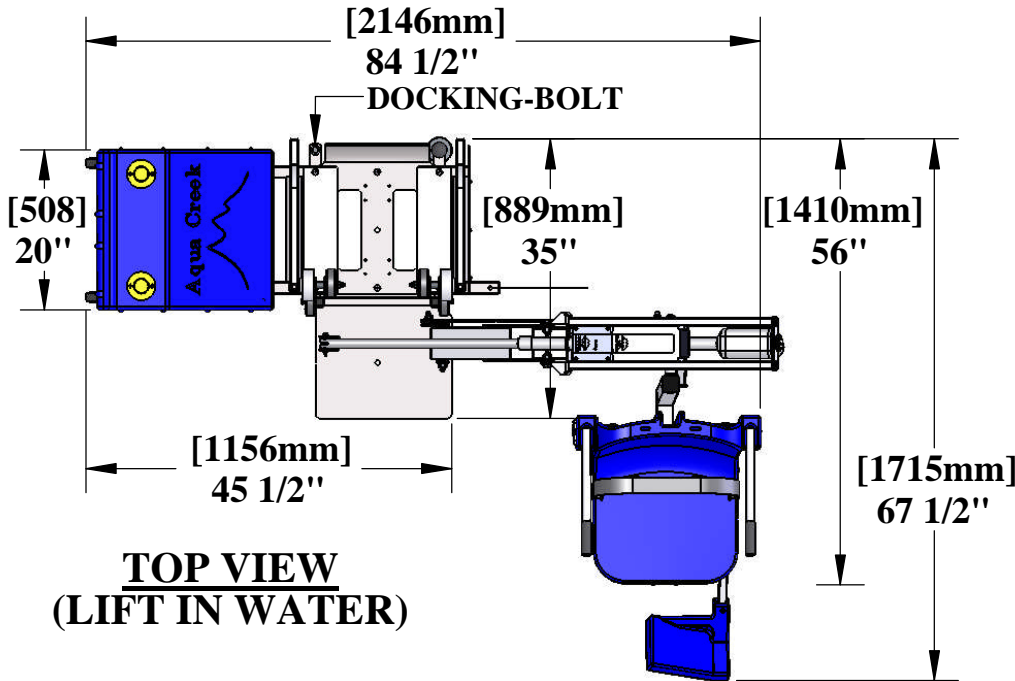
9889 GARRYMORE LANE  
MISSOULA, MT 59808  
(406) 549-0769  
FAX (406) 549-2602

NOTE:  
\*SPECIFICATIONS ARE SUBJECT TO CHANGE WITHOUT NOTICE

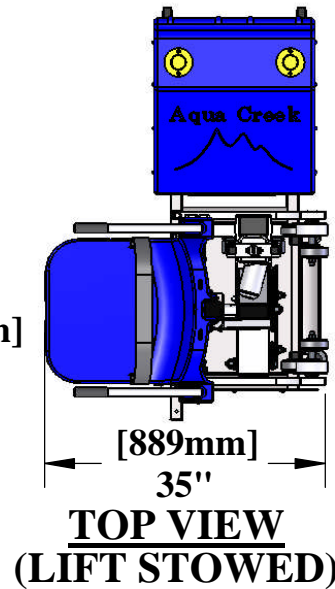
PRODUCT:	F-12PPLA1DD	
DWG #:	F-12PPLA1DD-1	
SCALE:	1:24	DATE: 7/23/13
DRAWN BY:	KR	REVISION: C

# PATRIOT-AT™ DEEP DRAFT LIFT

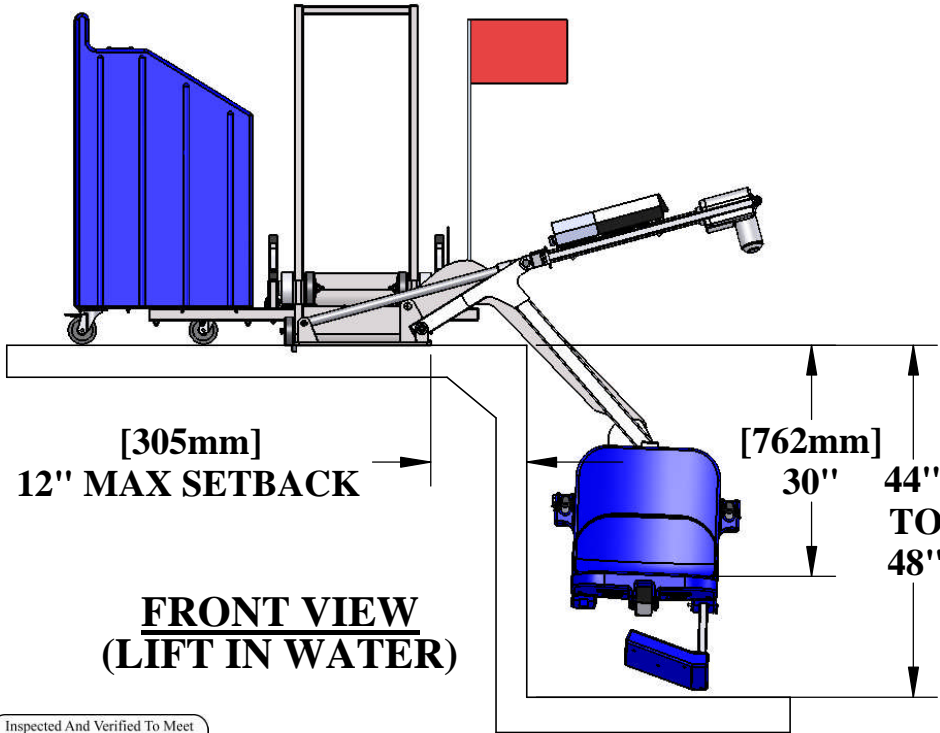
U.S. PATENT NO'S: [7,249,386 B2] [5,790,995] [D507,769 S]



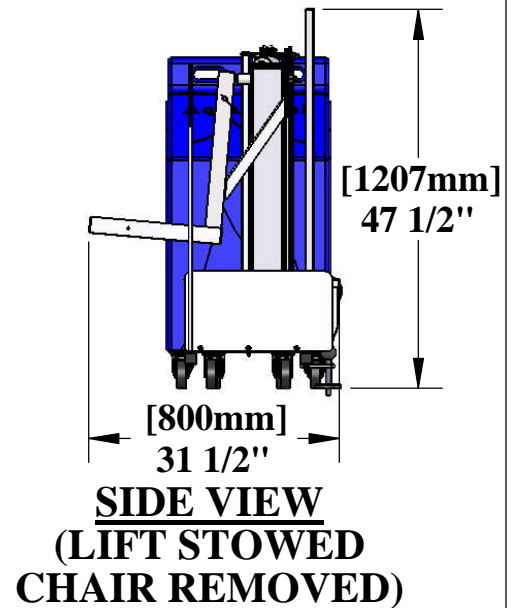
**TOP VIEW  
(LIFT IN WATER)**



**TOP VIEW  
(LIFT STOWED)**



**FRONT VIEW  
(LIFT IN WATER)**



**SIDE VIEW  
(LIFT STOWED  
CHAIR REMOVED)**

Inspected And Verified To Meet  
Applicable Sections of ADA  
Guidelines Section 1009.2 By

**wyle**  
laboratories  
A Registered ISO 9001  
Laboratory



**Aqua Creek Products**

The Total Solution for Pool and Spa Access

9889 GARRYMORE LANE  
MISSOULA, MT 59808  
(406) 549-0769  
FAX (406) 549-2602

NOTE:  
\*SPECIFICATIONS ARE SUBJECT TO CHANGE WITHOUT NOTICE

PRODUCT:	F-12PPLA1DD	
DWG #:	F-12PPLA1DD-2	
SCALE:	1:24	DATE: 7/23/13
DRAWN BY:	KR	REVISION: C

# PATRIOT-AT™ DEEP DRAFT LIFT

U.S. PATENT NO'S: [7,249,386 B2] [5,790,995] [D507,769 S]

## SPECIFICATIONS:

LIFTING CAPACITY: 450 lbs [204 kg]  
STATIC LOAD CAPACITY: 675 lbs [306 kg]

MAX. DRAFT (DECK TO WATER): 12" [305mm]  
MAX. SETBACK (SEE PAGE 2): 12" [305mm]

OVERALL HEIGHT (MAX): 47-1/2" [1207mm]  
MAX. WIDTH (DEPLOYED): 63" [1600mm]  
MAX. LENGTH (DEPLOYED): 85-1/2" [2172mm]  
STOWED LENGTH (MAX): 51" [1295mm]  
STOWED WIDTH (CHAIR ON): 35" [889mm]  
STOWED WIDTH (CHAIR OFF): 31-1/2" [800mm]

WEIGHT (BALLAST TANK EMPTY): 275lbs [125kg]  
WEIGHT (BALLAST TANK FILLED): 875lbs [397kg]

### MATERIALS:

LIFT FRAME: TYPE 304 STAINLESS STEEL  
PORTABLE CART: TYPE 304 STAINLESS STEEL & POLYETHYLENE  
BALLAST TANK: LLDPE POLYETHYLENE  
BALLAST MATERIAL: MEDIUM-GRAIN SAND (500lbs [227 kg])  
DOCKING BOLT:  $\phi$  1/2"-13 X 4", TYPE 316 SS  
CHAIR & FOOTREST: LLDPE POLYETHYLENE  
SAFETY BELT: HEAVY-DUTY POLYESTER STRAP, HOOK & LOOP FASTENER  
POWDER COATING: OFF-WHITE POLYESTER [PN: 1PC-108-1912 BX50]

### STANDARD EQUIPMENT:

DUAL FLIP-UP ARMRESTS, FLIP-UP FOOTREST, SAFETY BELT

### AVAILABLE OPTIONS:

HEADREST ASSEMBLY (PN: F-422PLH)  
PULLOUT LEGREST: (PN: F-105LAR)  
COVER, LOCKING (PN: F-12PPC)

Inspected And Verified To Meet  
Applicable Sections of ADA  
Guidelines Section 1009.2 By

**wyle**  
laboratories

A Registered ISO 9001  
Laboratory



  
**Aqua Creek Products**

The Total Solution for Pool and Spa Access

9889 GARRYMORE LANE  
MISSOULA, MT 59808  
(406) 549-0769  
FAX (406) 549-2602

NOTE:  
\*SPECIFICATIONS ARE SUBJECT TO CHANGE WITHOUT NOTICE

PRODUCT:	F-12PPLA1DD	
DWG #:	F-12PPLA1DD-3	
SCALE:	1:24	DATE: 7/23/13
DRAWN BY:	KR	REVISION: C