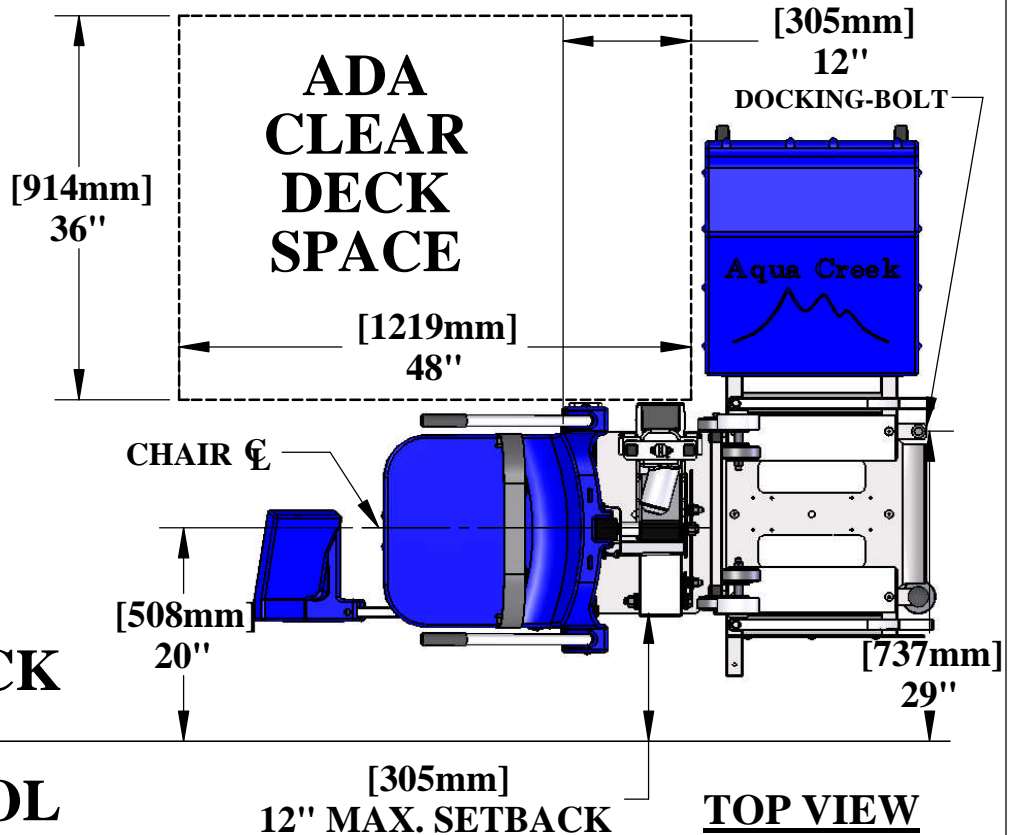
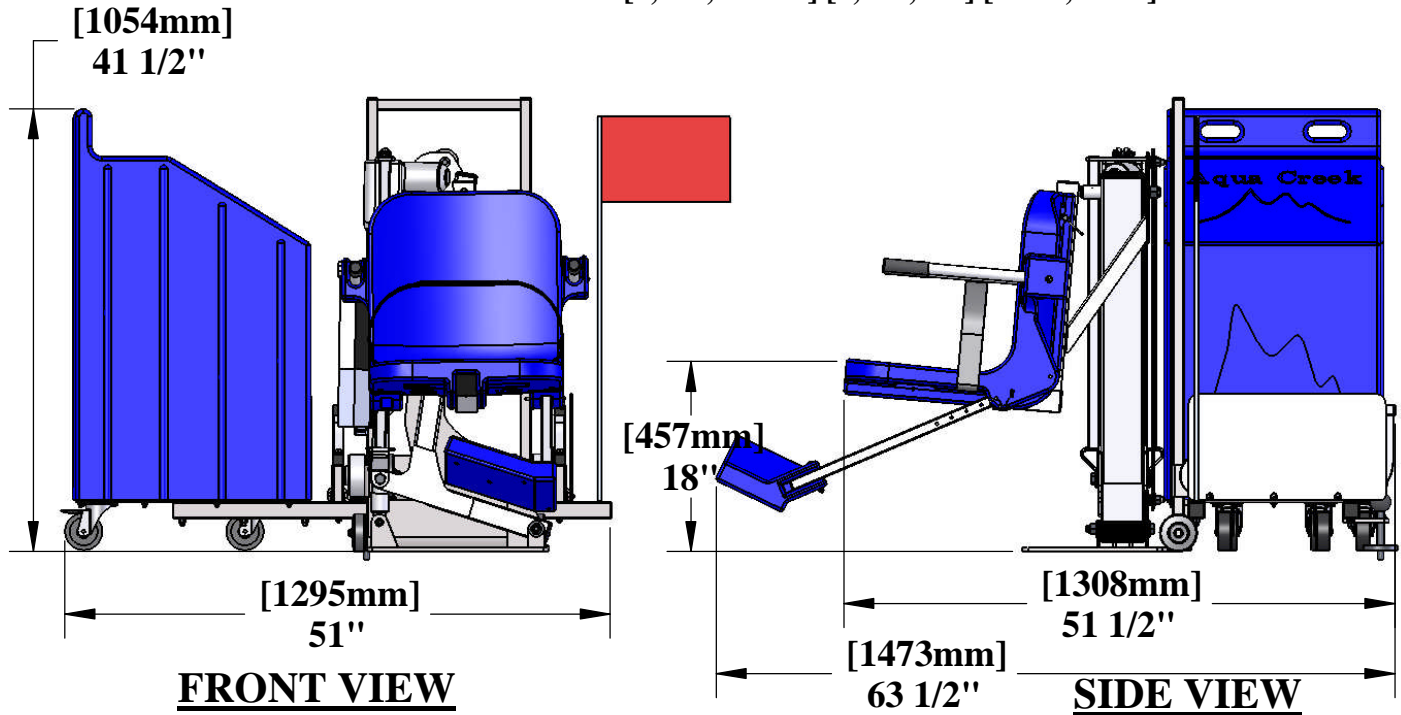


PATRIOT-AT2™ DEEP DRAFT LIFT

U.S. PATENT NO'S: [7,249,386 B2] [5,790,995] [D507,769 S]



Inspected And Verified To Meet
Applicable Sections of ADA
Guidelines Section 1009.2 By

wyle
laboratories

A Registered ISO 9001
Laboratory



Aqua Creek Products

The Total Solution for Pool and Spa Access

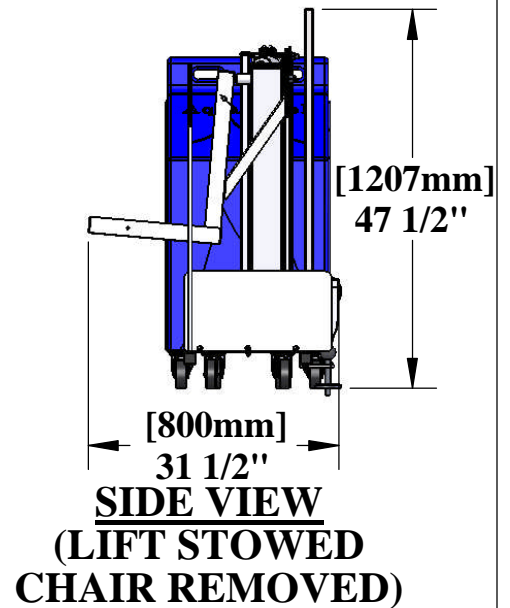
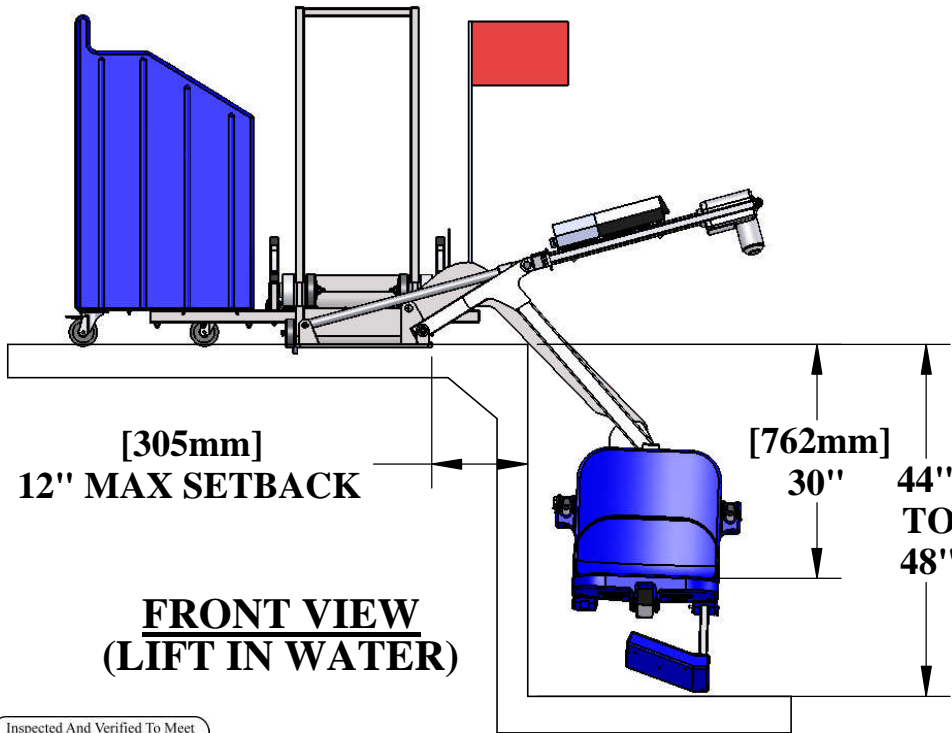
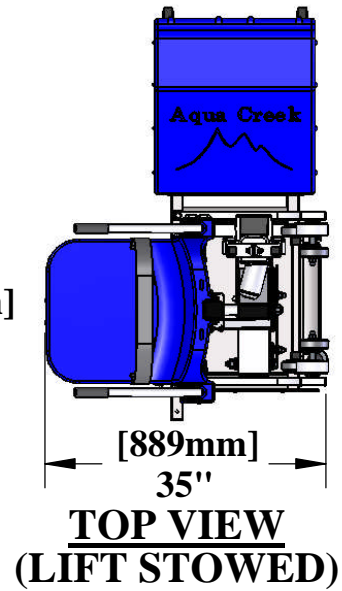
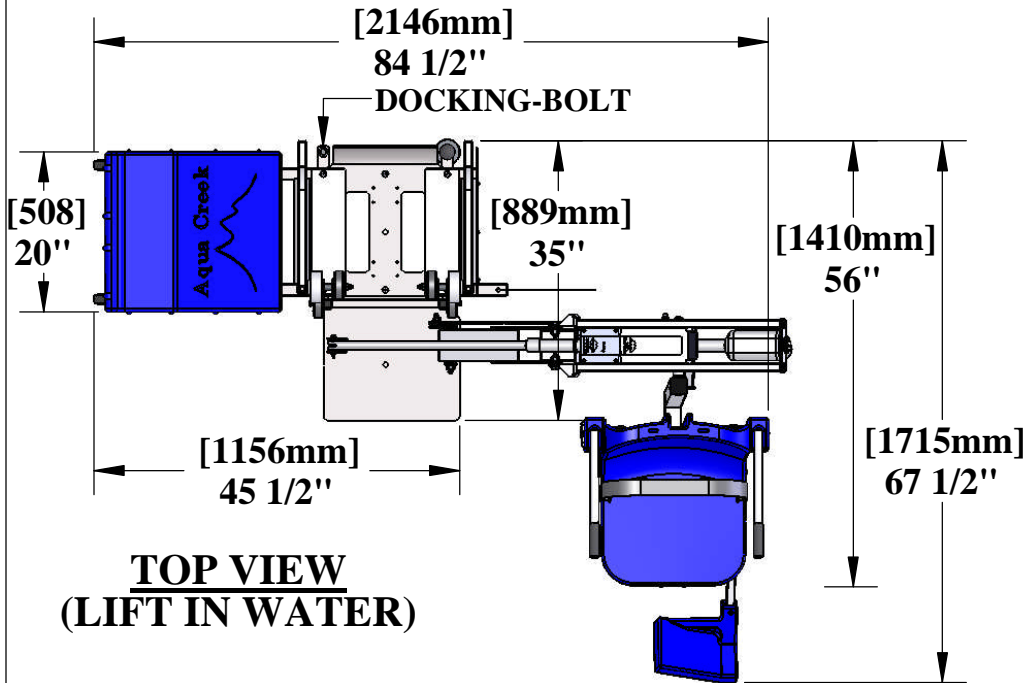
9889 GARRYMORE LANE
MISSOULA, MT 59808
(406) 549-0769
FAX (406) 549-2602

NOTE:
*SPECIFICATIONS ARE SUBJECT TO CHANGE WITHOUT NOTICE

PRODUCT:	F-12PPLA2DD	
DWG #:	F-12PPLA2DD-1	
SCALE:	1:24	DATE: 9/9/13
DRAWN BY:	KR	REVISION: C

PATRIOT-AT2™ DEEP DRAFT LIFT

U.S. PATENT NO'S: [7,249,386 B2] [5,790,995] [D507,769 S]



Inspected And Verified To Meet
Applicable Sections of ADA
Guidelines Section 1009.2 By

wyle
laboratories
A Registered ISO 9001
Laboratory



Aqua Creek Products

The Total Solution for Pool and Spa Access

9889 GARRYMORE LANE
MISSOULA, MT 59808
(406) 549-0769
FAX (406) 549-2602

NOTE:
*SPECIFICATIONS ARE SUBJECT TO CHANGE WITHOUT NOTICE

PRODUCT:	F-12PPLA2DD	
DWG #:	F-12PPLA2DD-2	
SCALE:	1:24	DATE: 9/9/13
DRAWN BY:	KR	REVISION: C

PATRIOT-AT2™ DEEP DRAFT LIFT

U.S. PATENT NO'S: [7,249,386 B2][5,790,995][D507,769 S]

SPECIFICATIONS:

LIFTING CAPACITY: 450 lbs [204 kg]
STATIC LOAD CAPACITY: 675 lbs [306 kg]

MAX. DRAFT (DECK TO WATER): 12" [305mm]
MAX. SETBACK (SEE PAGE 2): 12" [305mm]

OVERALL HEIGHT (MAX): 47-1/2" [1207mm]
MAX. WIDTH (DEPLOYED): 63" [1600mm]
MAX. LENGTH (DEPLOYED): 85-1/2" [2172mm]
STOWED LENGTH (MAX): 51" [1295mm]
STOWED WIDTH (CHAIR ON): 35" [889mm]
STOWED WIDTH (CHAIR OFF): 31-1/2" [800mm]

WEIGHT (WEIGHT COVER EMPTY): 275lbs [125kg]
WEIGHT (W/CONCRETE WEIGHTS): 875lbs [397kg]

MATERIALS:

LIFT FRAME: TYPE 304 STAINLESS STEEL
PORTABLE CART: TYPE 304 STAINLESS STEEL & POLYETHYLENE
WEIGHT TANK: LLDPE POLYETHYLENE
BALLAST MATERIAL: CONCRETE BLOCKS (500lbs [227 kg])
DOCKING BOLT: ϕ 1/2"-13 X 4", TYPE 316 SS
CHAIR & FOOTREST: LLDPE POLYETHYLENE
SAFETY BELT: HEAVY-DUTY POLYESTER STRAP, HOOK & LOOP FASTENER
POWDER COATING: EPOXY, APPLIANCE WHITE

STANDARD EQUIPMENT:

DUAL FLIP-UP ARMRESTS, FLIP-UP FOOTREST, SAFETY BELT

AVAILABLE OPTIONS:

HEADREST ASSEMBLY (PN: F-422PLH)
PULLOUT LEGREST: (PN: F-105LAR)
COVER, LOCKING (PN: F-12PPC)

Inspected And Verified To Meet
Applicable Sections of ADA
Guidelines Section 1009.2 By

wyle
laboratories

A Registered ISO 9001
Laboratory




Aqua Creek Products

The Total Solution for Pool and Spa Access

9889 GARRYMORE LANE
MISSOULA, MT 59808
(406) 549-0769
FAX (406) 549-2602

NOTE:
*SPECIFICATIONS ARE SUBJECT TO CHANGE WITHOUT NOTICE

PRODUCT:	F-12PPLA2DD	
DWG #:	F-12PPLA2DD-3	
SCALE:	1:24	DATE: 9/9/13
DRAWN BY:	KR	REVISION: C