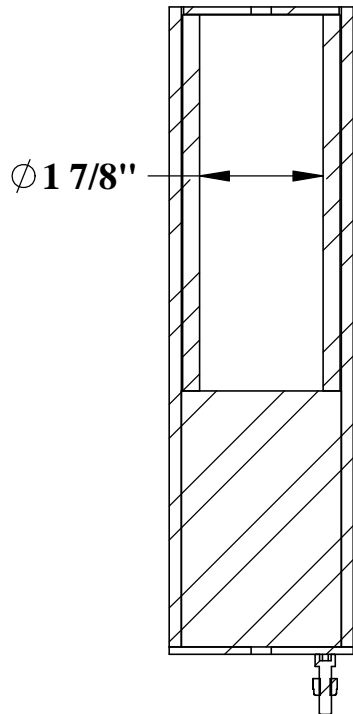
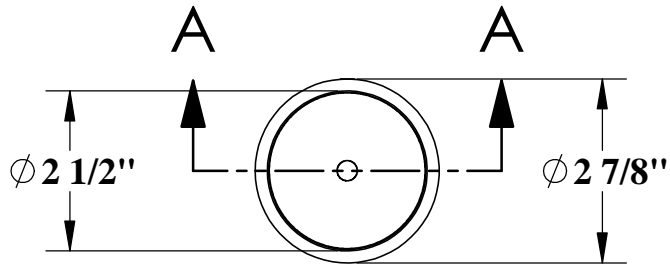
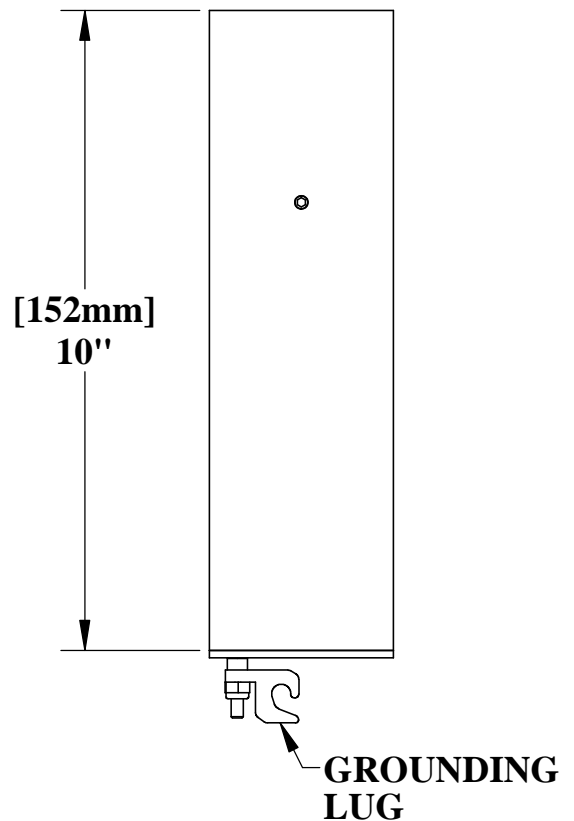


EZ™ & PEZ™ 10" ANCHOR SPEC



SECTION A-A



SPECIFICATIONS

RATED CAPACITY: 400 LBS (181kg)
MAXIMUM SETBACK: 20" (508mm)



9889 GARRYMORE LANE
 MISSOULA, MT 59808
 (406) 549-0769
 FAX (406) 549-2602

NOTE:
 *SPECIFICATIONS ARE SUBJECT TO CHANGE WITHOUT NOTICE

PRODUCT:		F-30220	
DWG #:		F-30220-1	
SCALE:	1:3	DATE:	10/21/13
DRAWN BY:	KR	REVISION:	A