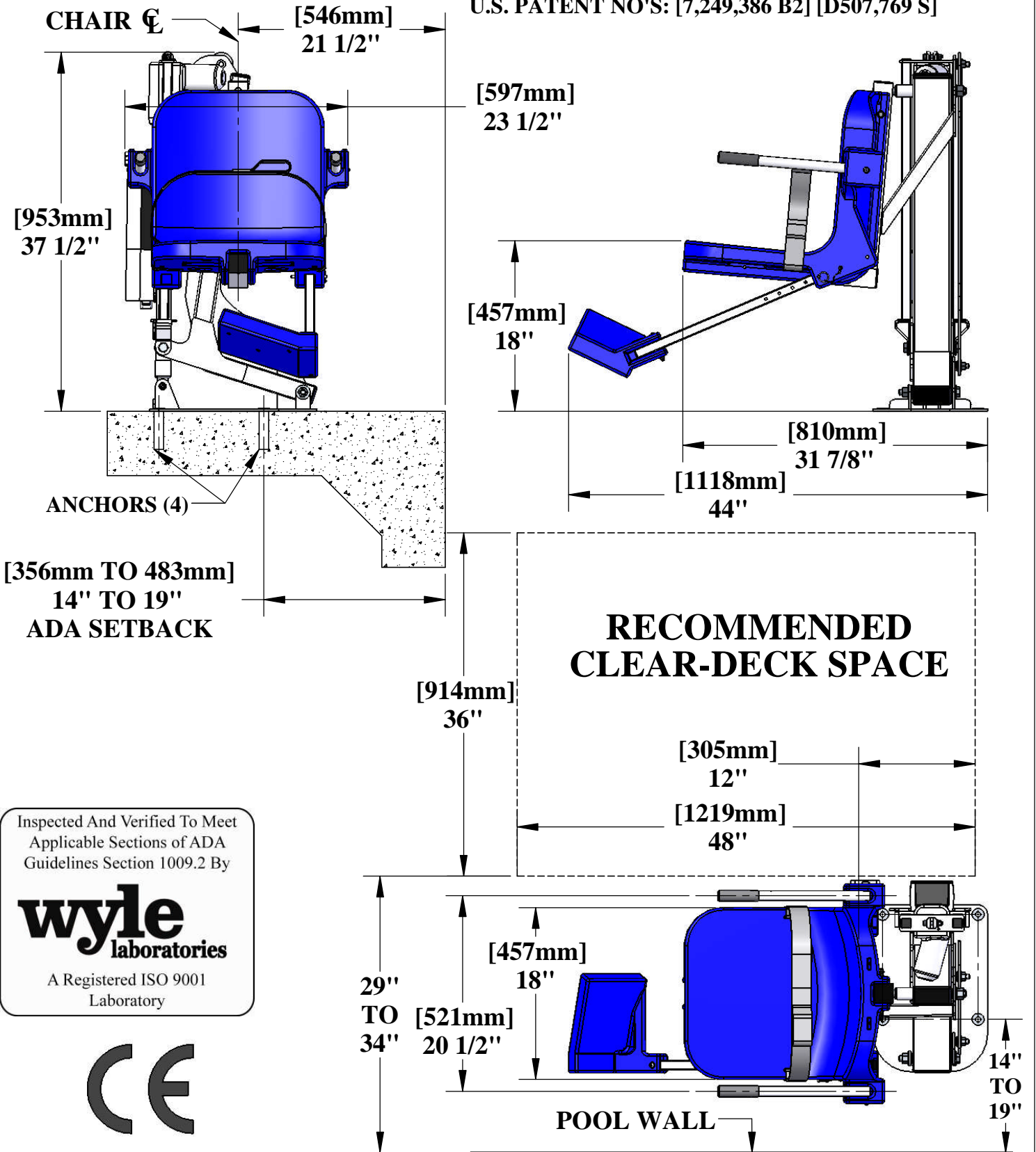


RANGER-AT™ EU POOL LIFT

U.S. PATENT NO'S: [7,249,386 B2] [D507,769 S]



Inspected And Verified To Meet
Applicable Sections of ADA
Guidelines Section 1009.2 By

wyle
laboratories

A Registered ISO 9001
Laboratory



Aqua Creek Products

The Total Solution for Pool and Spa Access

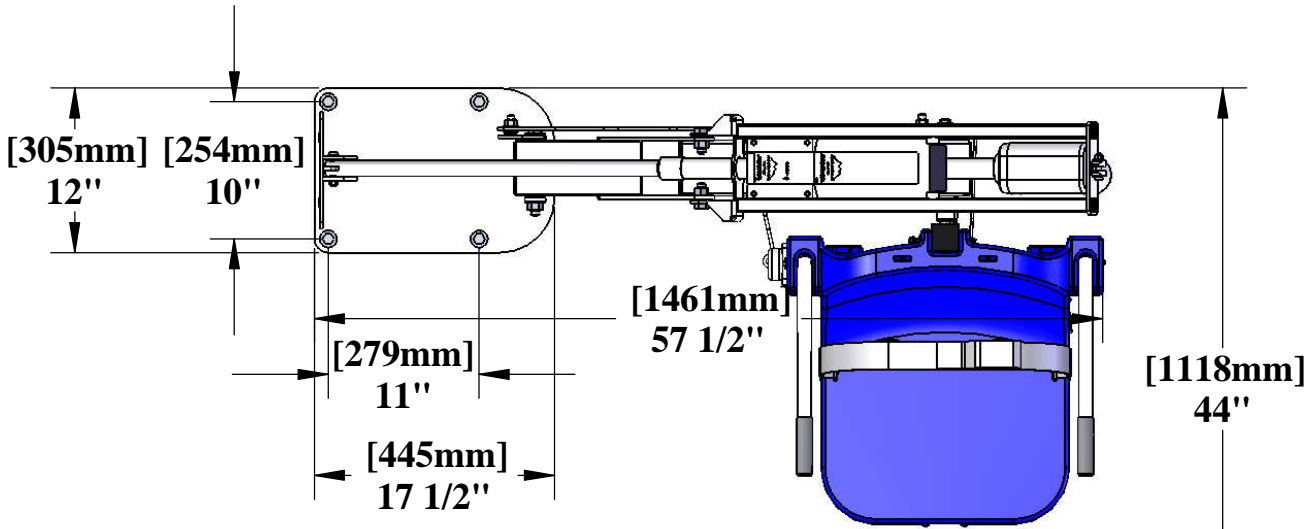
9889 GARRYMORE LANE
MISSOULA, MT 59808
(406) 549-0769
FAX (406) 549-2602

NOTE:
*SPECIFICATIONS ARE SUBJECT TO CHANGE WITHOUT NOTICE

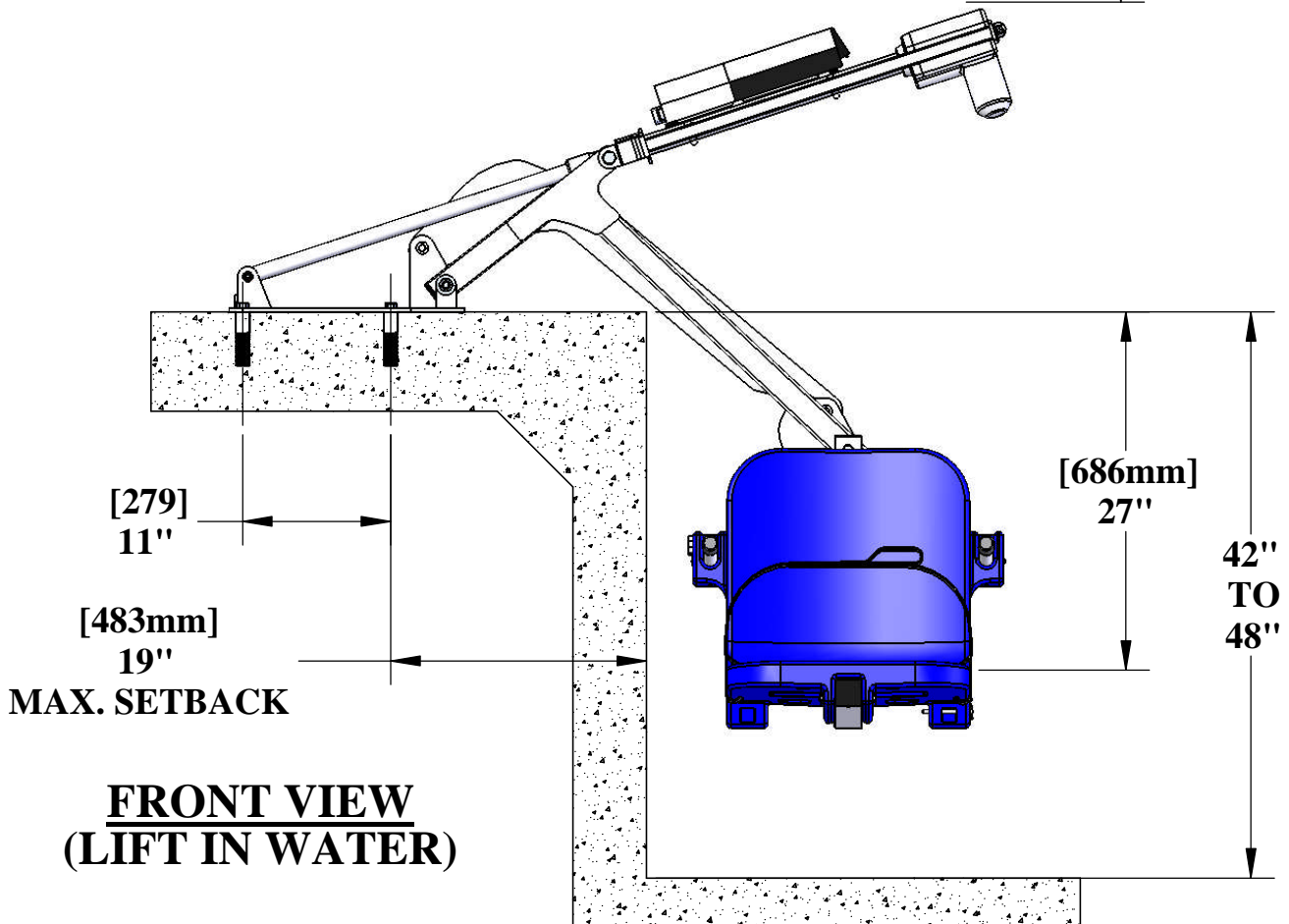
PRODUCT:	F-411RPL-AT1-EU		
DWG #:	F-411RPL-AT1-EU-1		
SCALE:	1:14	DATE:	5/23/14
DRAWN BY:	KR	REVISION:	D

RANGER-AT™ EU POOL LIFT

U.S. PATENT NO'S: [7,249,386 B2] [D507,769 S]



**TOP VIEW
(LIFT IN WATER)**



**FRONT VIEW
(LIFT IN WATER)**

9889 GARRYMORE LANE
MISSOULA, MT 59808
(406) 549-0769
FAX (406) 549-2602

NOTE:
*SPECIFICATIONS ARE SUBJECT TO CHANGE WITHOUT NOTICE

PRODUCT:	F-411RPL-AT1-EU	
DWG #:	F-411RPL-AT1-EU-2	
SCALE:	1:14	DATE: 5/23/14
DRAWN BY:	KR	REVISION: D

RANGER-AT™ EU POOL LIFT

U.S. PATENT NO'S: [7,249,386 B2] [D507,769 S]

SPECIFICATIONS:

LIFTING CAPACITY: 350 lbs [159 kg]
STATIC LOAD CAPACITY: 525 lbs [238 kg]

MAX. DRAFT (DECK TO WATER): 9.0" [229mm]
MAX. SETBACK (SEE PAGE 2): 19" [483mm]

OVERALL HEIGHT (MAX): 37-1/2" [953mm]
MAX. WIDTH (DEPLOYED): 43" [1092mm]
MAX. LENGTH (DEPLOYED): 57-1/2" [1461mm]
STOWED LENGTH (MAX): 23-1/2" [597mm]
STOWED WIDTH (NO FOOTREST): 32" [813mm]

WEIGHT: 105lbs [48kg]

MATERIALS:

LIFT FRAME: TYPE 304 STAINLESS STEEL
BASEPLATE: TYPE 304 STAINLESS STEEL
CHAIR & FOOTREST: LLDPE POLYETHYLENE
SAFETY BELT: HEAVY-DUTY POLYESTER STRAP, HOOK & LOOP FASTENER
POWDER COATING: OFF-WHITE EPOXY

STANDARD EQUIPMENT:

DUAL FLIP-UP ARMRESTS **24VDC BATTERY & CHARGER**
FLIP-UP FOOTREST **WATER RESISTANT HANDSET-REMOTE**
SAFETY BELT

AVAILABLE OPTIONS:

ANCHOR ASSEMBLY **(PN: F-04CAJP)**
HEADREST ASSEMBLY **(PN: F-422PLH-2)**
PULLOUT LEGREST: **(PN: F-105LAR)**
COVER, POLYESTER **(PN: F-422PPC)**
CYCLE ATTACHMENT: **(PN: F-019CA)**

Inspected And Verified To Meet
Applicable Sections of ADA
Guidelines Section 1009.2 By
wyle
laboratories
A Registered ISO 9001
Laboratory



Aqua Creek Products
The Total Solution for Pool and Spa Access

9889 GARRYMORE LANE
MISSOULA, MT 59808
(406) 549-0769
FAX (406) 549-2602

NOTE:
*SPECIFICATIONS ARE SUBJECT TO CHANGE WITHOUT NOTICE

PRODUCT:	F-411RPL-AT1-EU	
DWG #:	F-411RPL-AT1-EU-3	
SCALE:	1:1	DATE: 5/23/14
DRAWN BY:	KR	REVISION: D