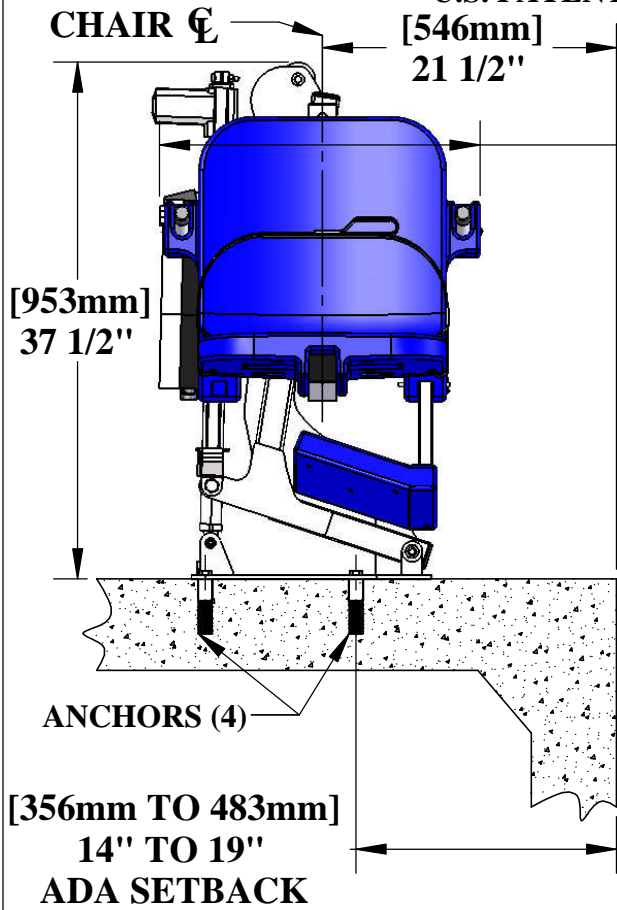
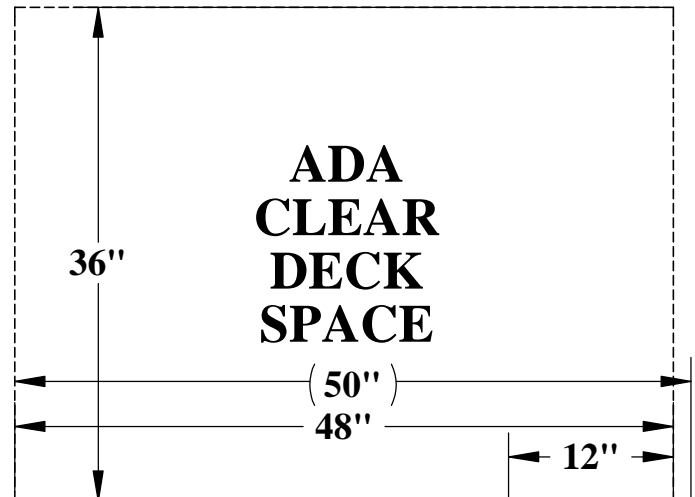
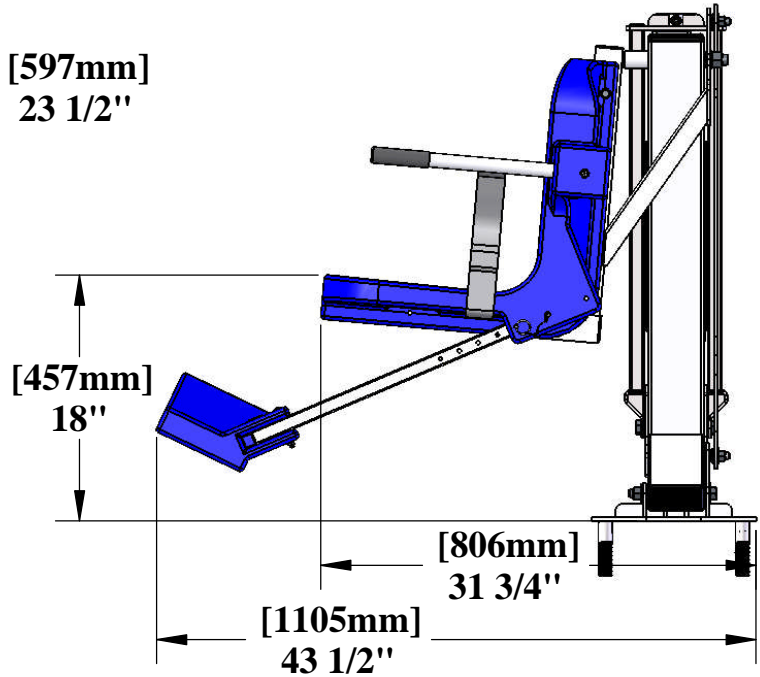


# RANGER-AT™ POOL LIFT

U.S. PATENT NO'S: [7,249,386 B2] [D507,769 S]



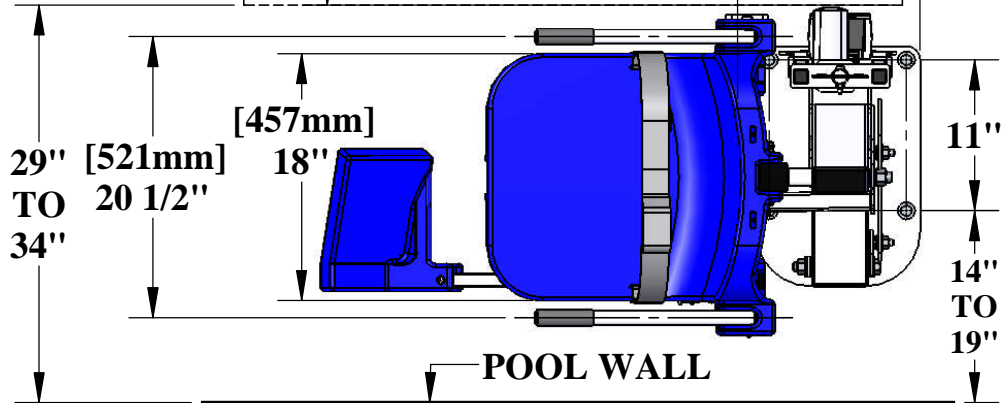
**FRONT VIEW**



Inspected And Verified To Meet  
Applicable Sections of ADA  
Guidelines Section 1009.2 By

**wyle**  
laboratories

A Registered ISO 9001  
Laboratory



9889 GARRYMORE LANE  
MISSOULA, MT 59808  
(406) 549-0769  
FAX (406) 549-2602

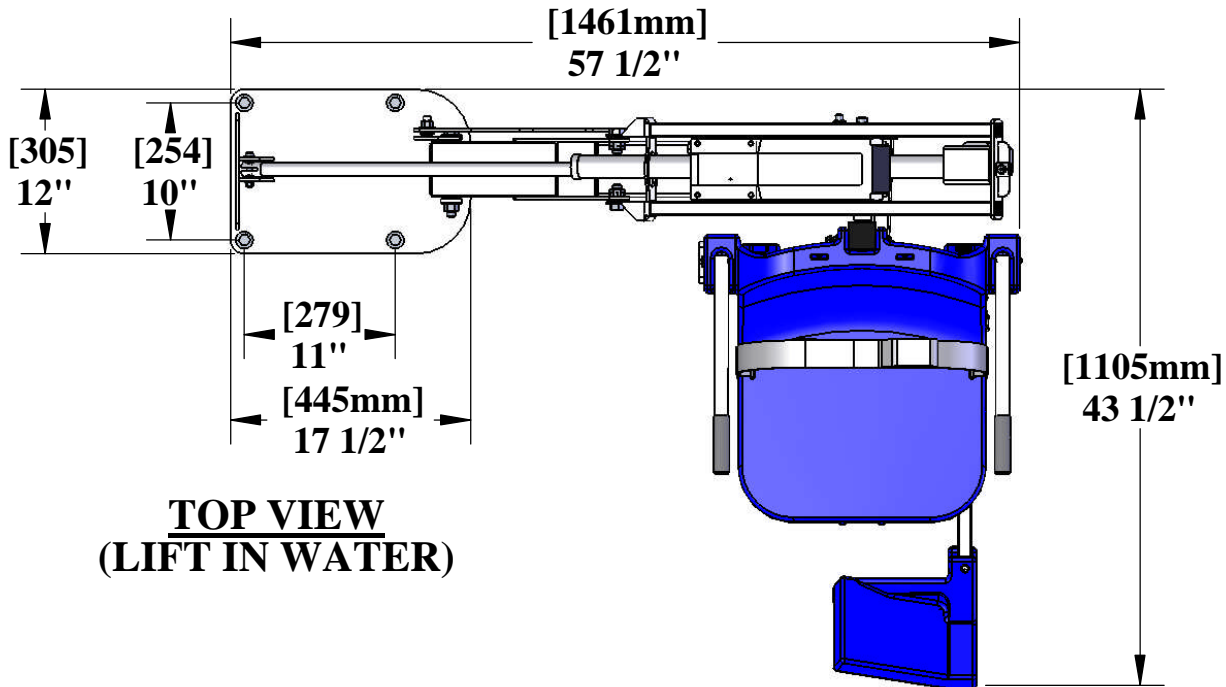
NOTE:  
\*SPECIFICATIONS ARE SUBJECT TO CHANGE WITHOUT NOTICE

PRODUCT:	F-411RPL-AT1	
DWG #:	F-411RPL-AT1-1	
SCALE:	1:14	DATE: 5/23/14
DRAWN BY:	KR	REVISION: D

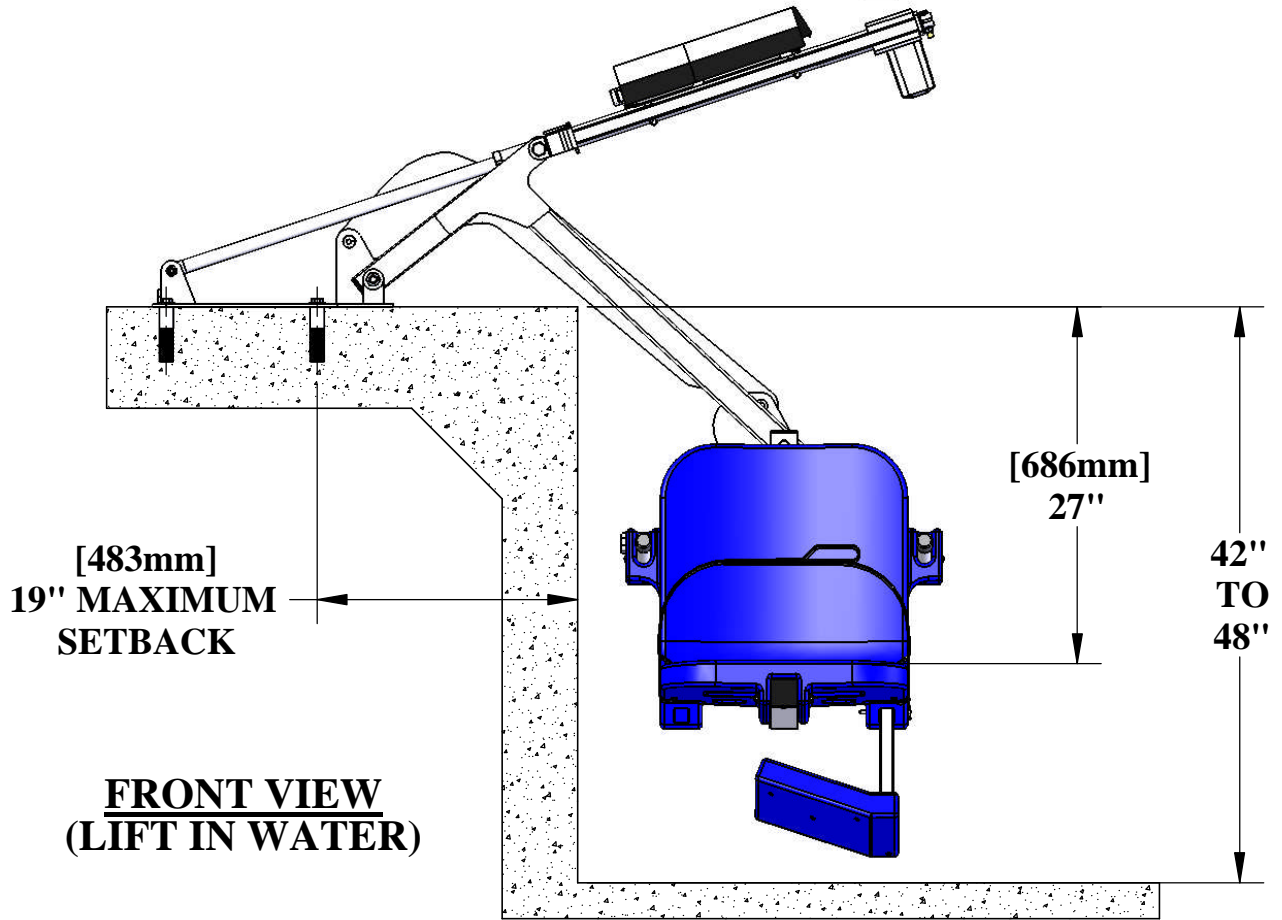
**Aqua Creek Products**  
The Total Solution for Pool and Spa Access

# RANGER-AT™ LIFT

U.S. PATENT NO'S: [7,249,386 B2] [D507,769 S]



**TOP VIEW  
(LIFT IN WATER)**



**FRONT VIEW  
(LIFT IN WATER)**

9889 GARRYMORE LANE  
MISSOULA, MT 59808  
(406) 549-0769  
FAX (406) 549-2602

NOTE:  
\*SPECIFICATIONS ARE SUBJECT TO CHANGE WITHOUT NOTICE

PRODUCT:	F-411RPL-AT1	
DWG #:	F-411RPL-AT1-2	
SCALE:	1:14	DATE: 5/23/14
DRAWN BY:	KR	REVISION: D

# **RANGER-AT™ LIFT**

U.S. PATENT NO'S: [7,249,386 B2] [D507,769 S]

## **SPECIFICATIONS:**

**LIFTING CAPACITY: 350 lbs [159 kg]**  
**STATIC LOAD CAPACITY: 525 lbs [238 kg]**

**MAX. DRAFT (DECK TO WATER): 9.0" [229mm]**  
**MAX. SETBACK (SEE PAGE 2): 19" [483mm]**

**OVERALL HEIGHT (MAX): 37-1/2" [953mm]**  
**MAX. WIDTH (DEPLOYED): 43" [1092mm]**  
**MAX. LENGTH (DEPLOYED): 57-1/2" [1461mm]**  
**STOWED LENGTH (MAX): 23-1/2" [597mm]**  
**STOWED WIDTH (NO FOOTREST): 31-3/4" [806mm]**

**WEIGHT: 105lbs [48kg]**

### **MATERIALS:**

**LIFT FRAME: TYPE 304 STAINLESS STEEL**  
**BASEPLATE: TYPE 304 STAINLESS STEEL**  
**CHAIR & FOOTREST: LLDPE POLYETHYLENE**  
**SAFETY BELT: HEAVY-DUTY POLYESTER STRAP, HOOK & LOOP FASTENER**  
**POWDER COATING: OFF-WHITE POLYESTER [PN: 1PC-108-1912 BX50]**

### **STANDARD EQUIPMENT:**

**DUAL FLIP-UP ARMRESTS**                      **24VDC BATTERY & CHARGER**  
**FLIP-UP FOOTREST**                        **WATER RESISTANT HANDSET-REMOTE**  
**SAFETY BELT**

### **AVAILABLE OPTIONS:**

**4-PT ANCHOR KIT:**                        **(PN: F-04CAJP)**  
**HEADREST ASSEMBLY**                    **(PN: F-422PLH)**  
**PULLOUT LEGREST:**                      **(PN: F-105LAR)**  
**COVER, POLYESTER**                        **(PN: F-422PPC)**  
**OVERHEAD THERAPY BAR**                 **(PN: F-414OHB)**

Inspected And Verified To Meet  
Applicable Sections of ADA  
Guidelines Section 1009.2 By

**wyle**  
laboratories

A Registered ISO 9001  
Laboratory



**Aqua Creek Products**

The Total Solution for Pool and Spa Access

**9889 GARRYMORE LANE**  
**MISSOULA, MT 59808**  
**(406) 549-0769**  
**FAX (406) 549-2602**

NOTE:  
\*SPECIFICATIONS ARE SUBJECT TO CHANGE WITHOUT NOTICE

PRODUCT:		<b>F-411RPL-AT1</b>	
DWG #:		<b>F-411-RPL-AT1-3</b>	
SCALE:	<b>1:1</b>	DATE:	<b>5/23/14</b>
DRAWN BY:	<b>KR</b>	REVISION:	<b>D</b>