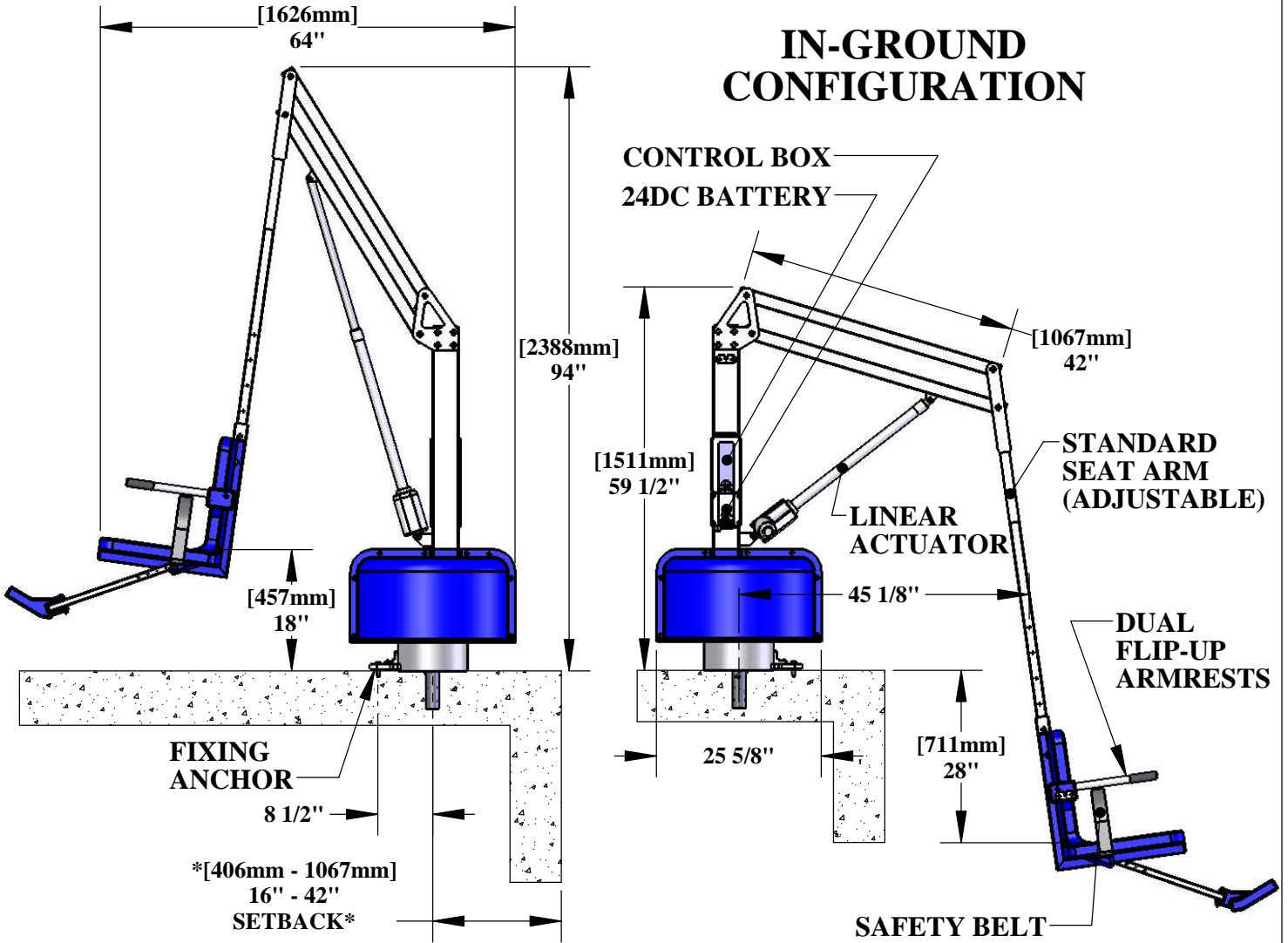


THE REVOLUTION LIFT™

US PATENT NO. D507,769 S

IN-GROUND CONFIGURATION

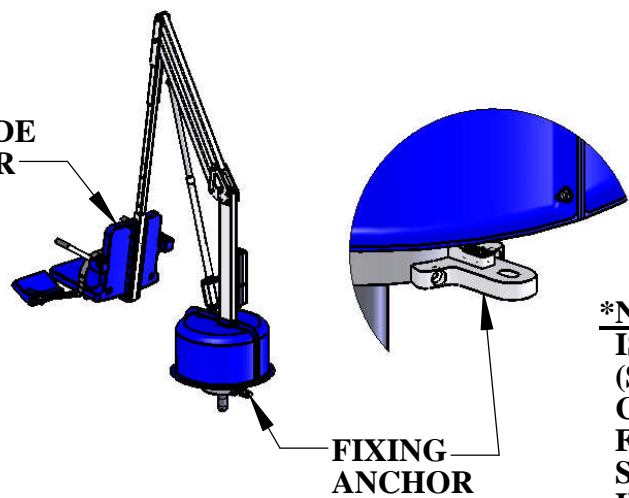


Inspected And Verified To Meet
Applicable Sections of ADA
Guidelines Section 1009.2 By

wyle
laboratories

An ISO 9001:2008
Registered Laboratory

22" WIDE
CHAIR



***NOTE: SETBACK IS FOR STANDARD (SHOWN) LIFT CONFIGURATION ONLY. FOR ACCESSORY SETBACKS, REFER TO INDIVIDUAL SPEC SHEETS.**



Aqua Creek Products

The Total Solution for Pool and Spa Access

9889 GARRYMORE LANE
MISSOULA, MT 59808
(406) 549-0769
FAX (406) 549-2602

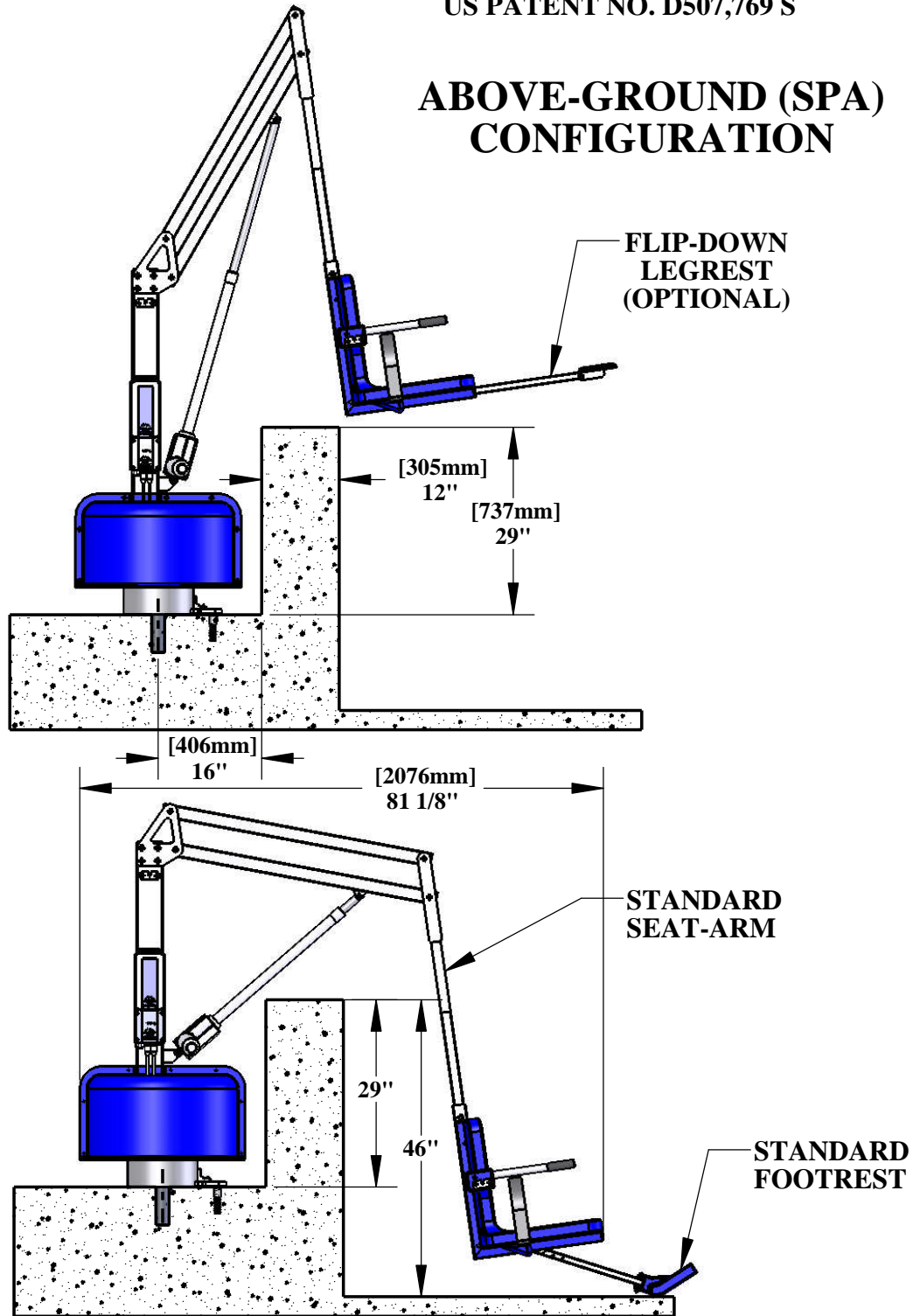
NOTE:
*SPECIFICATIONS ARE SUBJECT TO CHANGE WITHOUT NOTICE
*ALL DIMENSIONS ARE IN INCHES

PRODUCT:	F-700RL	
DWG #:	F-700RL-1	
SCALE:	1:26	DATE: 5/23/14
DRAWN BY:	KR	REVISION: R

THE REVOLUTION LIFT

US PATENT NO. D507,769 S

ABOVE-GROUND (SPA) CONFIGURATION



WITH THE SEAT MOUNTED AT ITS HIGHEST POSITION THE REVOLUTION LIFT WILL CLEAR A 29" [737mm] HIGH BY 12" [305mm] THICK WALL. THE SETBACK DISTANCE FOR THIS SITUATION IS 16" [406mm]. FOR OTHER APPLICATIONS AN OPTIONAL SPA SEAT-ARM IS AVAILABLE, MAKING IT POSSIBLE FOR THE REVOLUTION LIFT TO CLEAR UP TO A 48" [1219mm] HIGH WALL. AN OPTIONAL FLIP-DOWN LEGREST IS ALSO AVAILABLE FOR ABOVE-GROUND APPLICATIONS (SHOWN).

9889 GARRYMORE LANE
 MISSOULA, MT 59808
 (406) 549-0769
 FAX (406) 549-2602



Aqua Creek Products
 The Total Solution for Pool and Spa Access

NOTE:
 *SPECIFICATIONS ARE SUBJECT TO CHANGE WITHOUT NOTICE
 *ALL DIMENSIONS ARE IN INCHES

PRODUCT:	F-700RL	
DWG #:	F-700RL-2	
SCALE:	1:26	DATE: 5/23/14
DRAWN BY:	KR	REVISION: R

THE REVOLUTION LIFT

US PATENT NO. D507,769 S

SPECIFICATIONS:

LIFTING CAPACITY: 500lbs [227kg]
STATIC LOAD CAPACITY: 750 lbs [340kg]

MAXIMUM WATER DRAFT (DECK TO WATER): 10" [254mm]
MAXIMUM SETBACK: 42" [1067mm]

WEIGHT: 180 lbs [82 kg]

MATERIALS:

BASE: TYPE 304 STAINLESS STEEL, PVC, CONCRETE, RUBBER
MAST & ARMS: TYPE 304 STAINLESS STEEL
CHAIR & FOOTREST: LOW-DENSITY POLYETHYLENE
SAFETY BELT: HEAVY-DUTY POLYESTER STRAP, HOOK & LOOP FASTENER
POWDER COATING: OFF-WHITE POLYESTER
FIXING ANCHOR-TAB: HIGH-DENSITY POLYETHYLENE

STANDARD EQUIPMENT:

DUAL FLIP-UP ARMRESTS
FLIP-UP FOOTREST
22" WIDE CHAIR

24V BATTERY & CHARGER
WATER RESISTANT HANDSET/REMOTE
SAFETY BELT

AVAILABLE OPTIONS:

HEADREST ASSEMBLY
PULLOUT LEGREST
WHEELCHAIR ATTACHMENT
SPINEBOARD ATTACHMENT
GURNEY ATTACHMENT
TRANSPORT CART
COVER
CHEST STRAP
UPGRADE KIT
EXTRA ANCHOR

PART NUMBER

F-422PLH-2
F-105LAR
F-705
F-734RSA
F-730RSA
F-714RTC
F-720BL-C
F-423C
F-700RLAP
F-710RLA



9889 GARRYMORE LANE
MISSOULA, MT 59808
(406) 549-0769
FAX (406) 549-2602

NOTE:
*SPECIFICATIONS ARE SUBJECT TO CHANGE WITHOUT NOTICE

PRODUCT:		F-700RL	
DWG #:		F-700RL-3	
SCALE:	1:1	DATE:	5/23/14
DRAWN BY:	KR	REVISION:	R