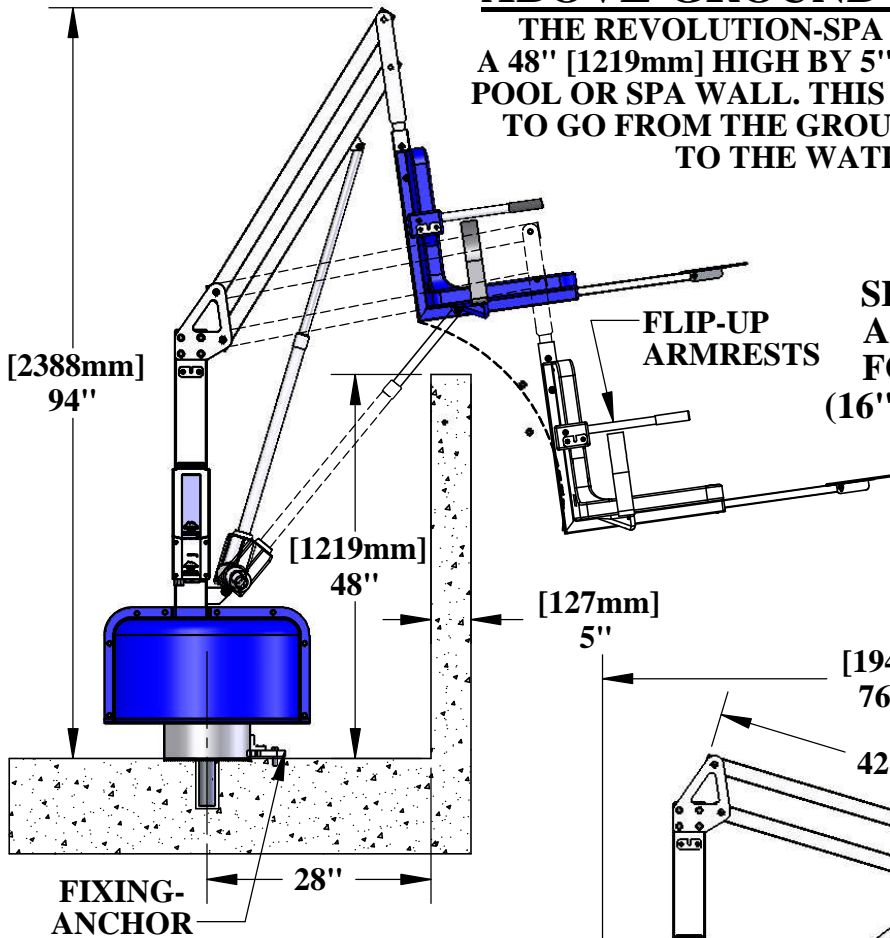


REVOLUTION™ SPA

US PATENT NO. D507,769 S

ABOVE-GROUND POOL/SPA

THE REVOLUTION-SPA WILL CLEAR A 48" [1219mm] HIGH BY 5" [127mm] THICK POOL OR SPA WALL. THIS MAKES IT EASY TO GO FROM THE GROUND DIRECTLY TO THE WATER.



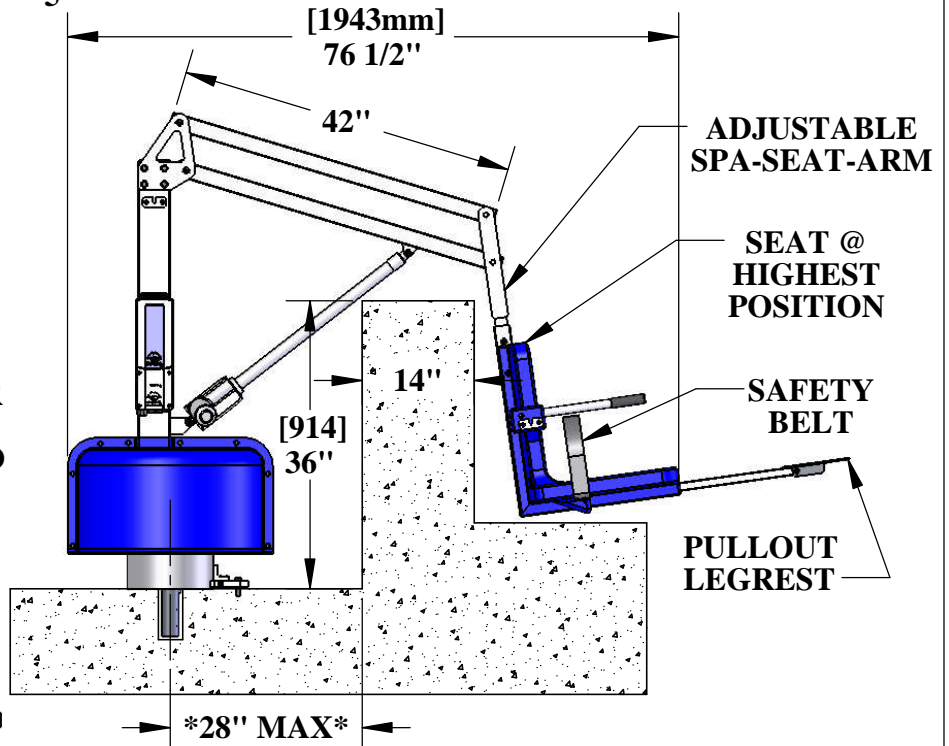
SEAT HEIGHT IS ADJUSTABLE IN FOUR - 4" STEPS (16" [406mm] TOTAL)



22" WIDE CHAIR (@LOWEST POSITION)

SPA W/BENCH

THE REVOLUTION-SPA HAS AN ADJUSTABLE SEAT-ARM FOR APPLICATIONS WITH LOWER WALLS. THIS MAKES IT EASY TO FIT THE REVOLUTION-SPA TO YOUR POOL OR SPA.



Inspected And Verified To Meet Applicable Sections of ADA Guidelines Section 1009.2 By

wyle laboratories

An ISO 9001:2008 Registered Laboratory



***NOTE: SETBACK IS FOR STANDARD (SHOWN) CONFIGURATION ONLY. FOR ACCESSORY SETBACKS, REFER TO INDIVIDUAL SPEC SHEETS.**

9889 GARRYMORE LANE
 MISSOULA, MT 59808
 (406) 549-0769
 FAX (406) 549-2602

Aqua Creek Products

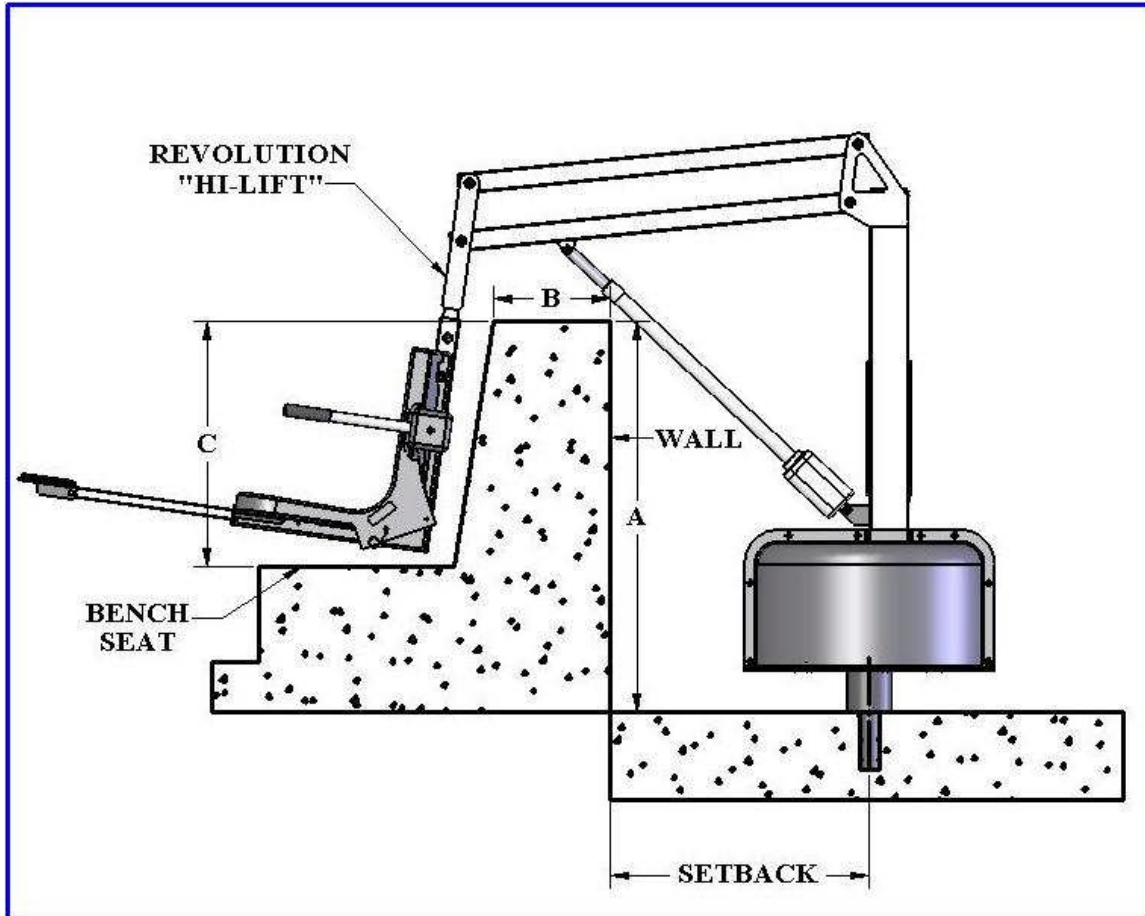
The Total Solution for Pool and Spa Access

NOTE:
 *SPECIFICATIONS ARE SUBJECT TO CHANGE WITHOUT NOTICE

PRODUCT:	F-702RLNA-SPA	
DWG #:	F-702RLNA-SPA-1	
SCALE:	1:24	DATE: 5/23/14
DRAWN BY:	KR	REVISION: E

REVOLUTION™ SPA

US PATENT NO. D507,769 S



WALL HEIGHT [A]	MAX. WALL THK. [B]	MAX BENCH DEPTH [C]	SETBACK
38" [965mm]	14" [356mm]	26" [660mm]	25-1/2" [648mm]
39" [991mm]	13" [330mm]	26" [660mm]	26" [660mm]
40" [1016mm]	12" [305mm]	25" [635mm]	26-1/2" [673mm]
41" [1041mm]	11" [279mm]	25" [635mm]	27" [686mm]
42" [1067mm]	10" [254mm]	25" [635mm]	27-1/2" [699mm]
43" [1092mm]	9" [229mm]	25" [635mm]	27-1/2" [699mm]
44" [1118mm]	9" [229mm]	24" [610mm]	27-1/2" [699mm]
45" [1143mm]	8" [203mm]	24" [610mm]	27-1/2" [699mm]
46" [1168mm]	7" [178mm]	23" [584mm]	27-1/2" [699mm]
47" [1194mm]	6" [152mm]	23" [584mm]	28" [711mm]
48" [1219mm]	5" [127mm]	22" [559mm]	28" [711mm]

Inspected And Verified To Meet
Applicable Sections of ADA
Guidelines Section 1009.2 By

wyle
laboratories

An ISO 9001:2008
Registered Laboratory



Aqua Creek Products

The Total Solution for Pool and Spa Access

9889 GARRYMORE LANE
MISSOULA, MT 59808
(406) 549-0769
FAX (406) 549-2602

NOTE:
*SPECIFICATIONS ARE SUBJECT TO CHANGE WITHOUT NOTICE

PRODUCT:	F-700RLNA-SPA		
DWG #:	F-700RLNA-SPA-2		
SCALE:	1:24	DATE:	5/23/14
DRAWN BY:	KR	REVISION:	E

REVOLUTION™ SPA

US PATENT NO. D507,769 S

SPECIFICATIONS:

LIFTING CAPACITY: 500lbs [227kg]
STATIC LOAD CAPACITY: 750lbs [340kg]

MAXIMUM WATER DRAFT (DECK TO WATER): 6" [152mm]
MAXIMUM SETBACK: DEPENDS ON WALL HEIGHT (TYPICAL 24" TO 30" [610mm to 762mm])

HEIGHT (MAXIMUM): 94-1/2" [2400mm]
WIDTH (MAXIMUM): 26" [660mm]
LENGTH (MAXIMUM): 76-1/2" [1943mm]

WEIGHT: 170 lbs [77 kg]

MATERIALS:

BASE: TYPE 304 STAINLESS STEEL, RIGID PVC, CONCRETE
MAST & ARMS: TYPE 304 STAINLESS STEEL
CHAIR & FOOTREST: LOW-DENSITY POLYETHYLENE
SAFETY BELT: HEAVY-DUTY POLYESTER STRAP, HOOK & LOOP FASTENER
POWDER COATING: OFF-WHITE POLYESTER
FIXING ANCHOR-TAB: HIGH-DENSITY POLYETHYLENE

STANDARD EQUIPMENT:

DUAL FLIP-UP ARMRESTS
PULL-OUT LEGREST
SAFETY BELT

24VDC BATTERY & CHARGER
WATER RESISTANT HANDSET/REMOTE

AVAILABLE OPTIONS:

ADDITIONAL ANCHOR
HEADREST ASSEMBLY
COVER
UPGRADE KIT
CHEST STRAP
TRANSPORT CART

PART NUMBER

F-710RLA
F-422PLH-2
F-720BL-C
F-700RLAP
F-423CS
F-714RTC

Inspected And Verified To Meet
Applicable Sections of ADA
Guidelines Section 1009.2 By

wyle
laboratories

An ISO 9001:2008
Registered Laboratory



9889 GARRYMORE LANE
MISSOULA, MT 59808
(406) 549-0769
FAX (406) 549-2602

NOTE:
*SPECIFICATIONS ARE SUBJECT TO CHANGE WITHOUT NOTICE


Aqua Creek Products
The Total Solution for Pool and Spa Access

PRODUCT:	F-700RLNA-SPA	
DWG #:	F-700RLNA-SPA-3	
SCALE:	1:1	DATE: 5/23/14
DRAWN BY:	KR	REVISION: E