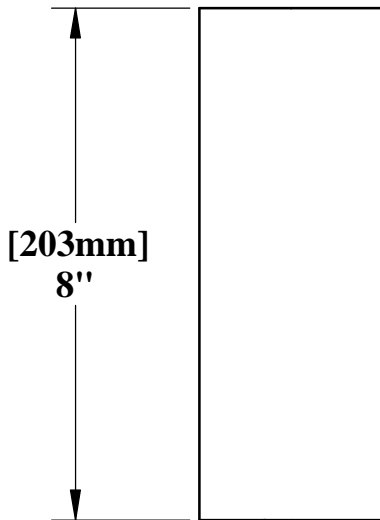
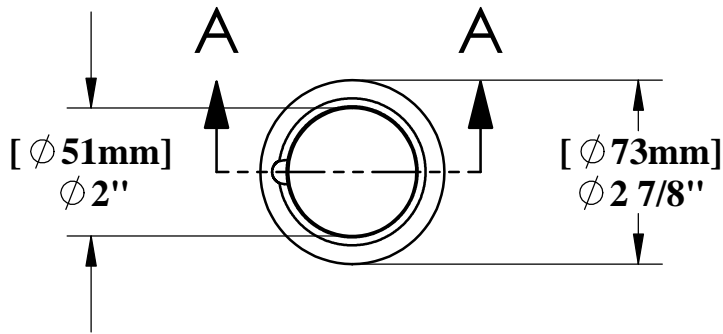
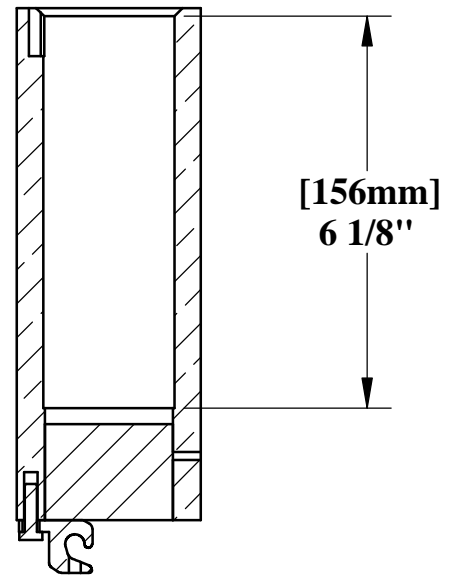


REVOLUTION ANCHOR



GROUNDING LUG



SECTION A-A

SPECIFICATIONS

THE REVOLUTION LIFT ANCHOR SHALL BE CONSTRUCTED OF BRONZE WITH A COPPER GROUNDING LUG. THE O.D. OF THE ANCHOR SHALL BE 2-7/8" [73mm], AND SHALL ACCOMMODATE A 2" [51mm] DIAMETER, 6" [152mm] LONG POST. A PROTECTIVE, STAINLESS STEEL CAP SHALL BE INCLUDED FOR WHEN NOT IN USE.



Aqua Creek Products

The Total Solution for Pool and Spa Access

9889 GARRY MORE LANE
 MISSOULA, MT 59808
 (406) 549-0769
 FAX (406) 549-2602

NOTE:
 *SPECIFICATIONS ARE SUBJECT TO CHANGE WITHOUT NOTICE
 *ALL DIMENSIONS ARE IN INCHES

PRODUCT:	F-710RLA	
DWG #:	F-710RLA-1	
SCALE:	1:3	DATE: 4/8/13
DRAWN BY:	KR	REVISION: C