

**PROPRIETY AND CONFIDENTIAL INFORMATION**

THIS DRAWING AND ALL INFORMATION CONTAINED HEREIN IS THE SOLE PROPERTY OF AQUA CREEK PRODUCTS LLC. ANY REPRODUCTION IN PART OR AS A WHOLE WITHOUT WRITTEN PERMISSION FROM AQUA CREEK IS PROHIBITED.

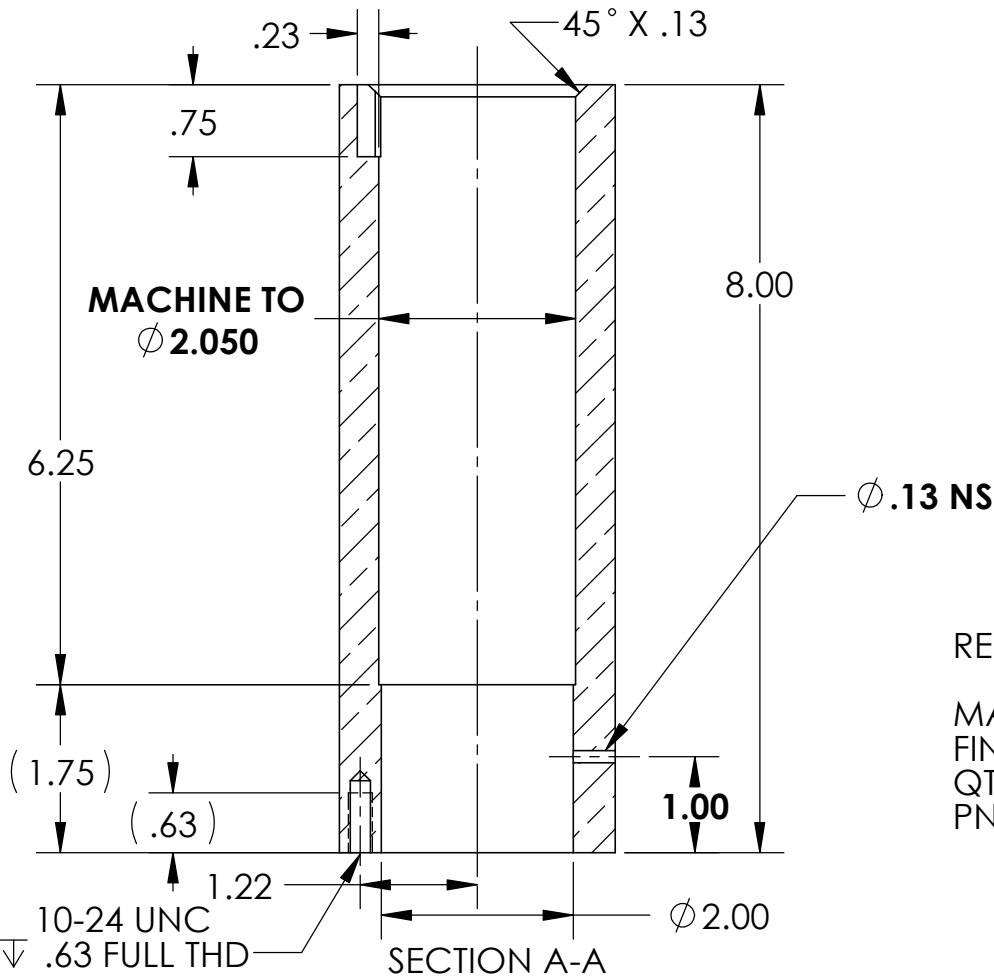
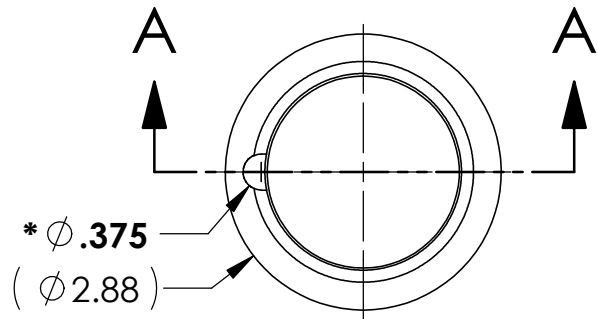
TOLERANCES:  
 DIMENSIONS ARE IN INCHES  
 UNLESS OTHERWISE SHOWN  
 FRACTIONAL: ..... ±1/16  
 ANGULAR: ..... ±1°  
 TWO PLACE DECIMAL: .... ±.01  
 THREE PLACE DECIMAL: .. ±.005

**AQUA CREEK PRODUCTS LLC**  
 9889 GARRYMORE LANE  
 MISSOULA, MT 59808  
 406-549-0769  
 1-888-687-3552

DESCRIPTION:  
**F-710RLA: REV ANCHOR ASSY**

SCALE:1:3      10/30/2013      1 of 6

**REVISED 10/28/13  
 (ADDED 1/8" ROLL PIN)  
 ECR #: REV-021-1013**




REV 8" ANCHOR TUBE, BRONZE

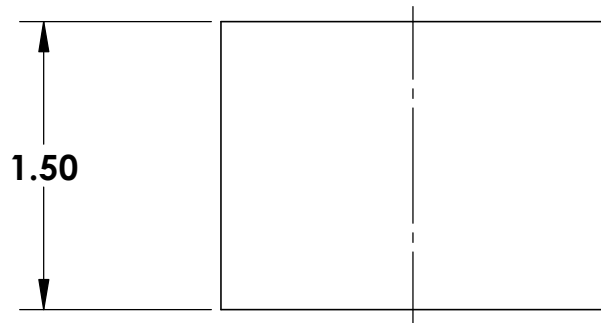
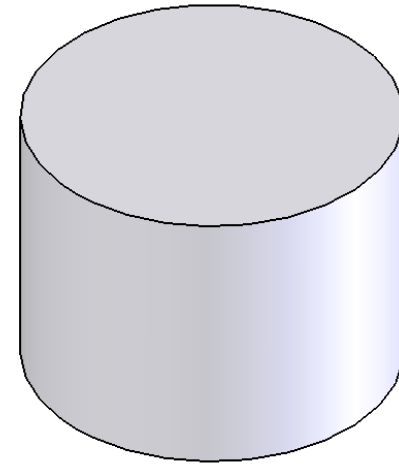
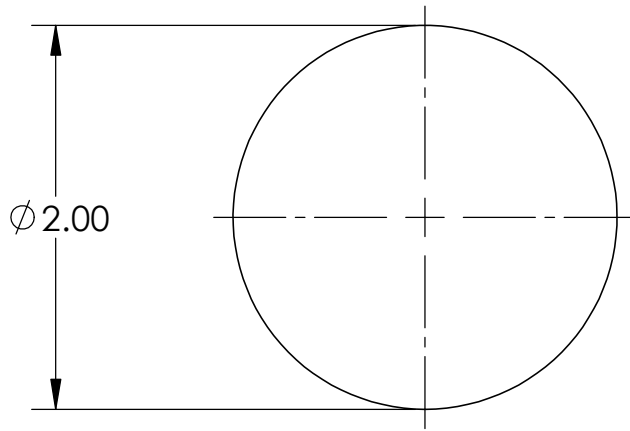
MATERIAL:  $\phi$  2-7/8" O.D. X 7/16" WALL TUBE, BRONZE  
 FINISH: MILL  
 QTY: 1 PER UNIT  
 PN: RVA-110-00

REVISD 10/28/13  
 (ADDED  $\phi$  1/8" HOLE)  
 ECR #: REV-021-1013  
 \*REVISED 10/30/13  
 (RVSD HOLE SIZE)  
 ECR #: REV-023-1013

**PROPRIETY AND CONFIDENTIAL INFORMATION**  
 THIS DRAWING AND ALL INFORMATION CONTAINED HEREIN IS THE SOLE PROPERTY OF AQUA CREEK PRODUCTS LLC. ANY REPRODUCTION IN PART OR AS A WHOLE WITHOUT WRITTEN PERMISSION FROM AQUA CREEK IS PROHIBITED.

TOLERANCES:  
 DIMENSIONS ARE IN INCHES  
 UNLESS OTHERWISE SHOWN  
 FRACTIONAL: .....  $\pm$ 1/16  
 ANGULAR: .....  $\pm$ 1°  
 TWO PLACE DECIMAL: ....  $\pm$ .01  
 THREE PLACE DECIMAL: ..  $\pm$ .005

 <b>AQUA CREEK PRODUCTS LLC</b> 9889 GARRYMORE LANE MISSOULA, MT 59808 406-549-0769 1-888-687-3552		
DESCRIPTION: <b>REV 8IN ANCHOR TUBE</b>		
SCALE:1:2	10/30/2013	2 of 6



REV ANCHOR PLUG


MATERIAL:  $\phi$  2.0" RND BAR, HDPE  
 COLOR: WHITE  
 QTY: 1 PER UNIT  
 PN: RVA-120-00

**REVISED 10/28/13  
 (WAS 1" THICK)**

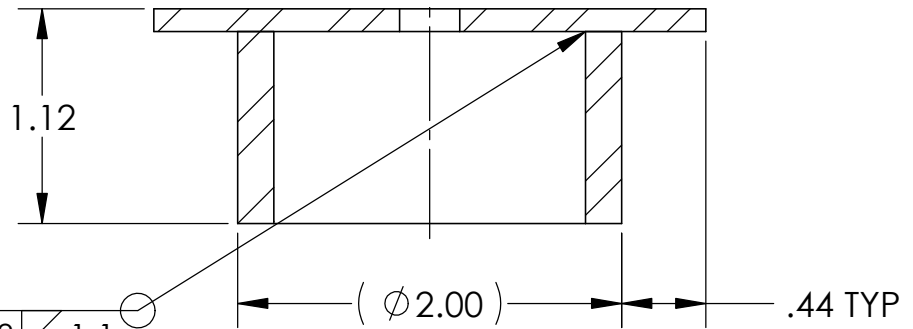
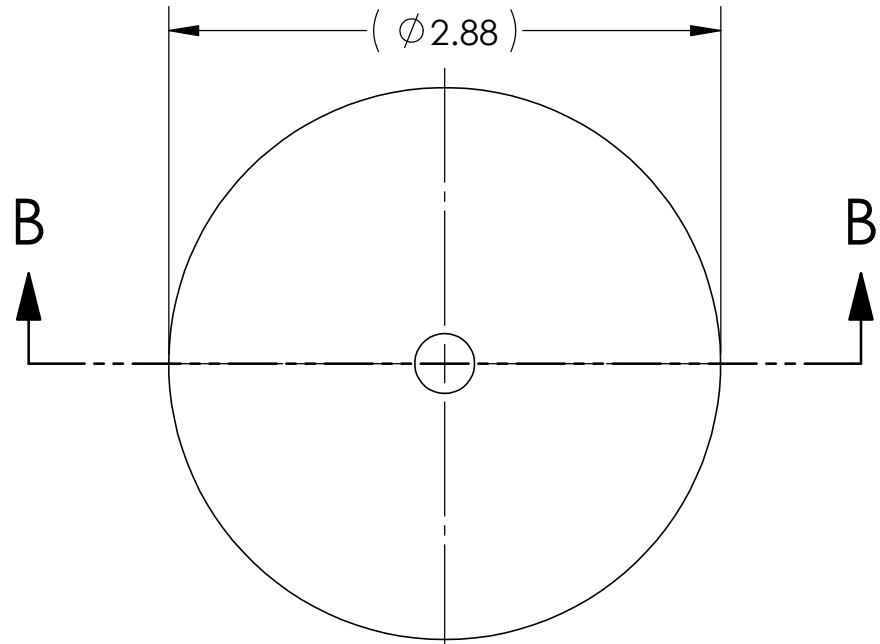
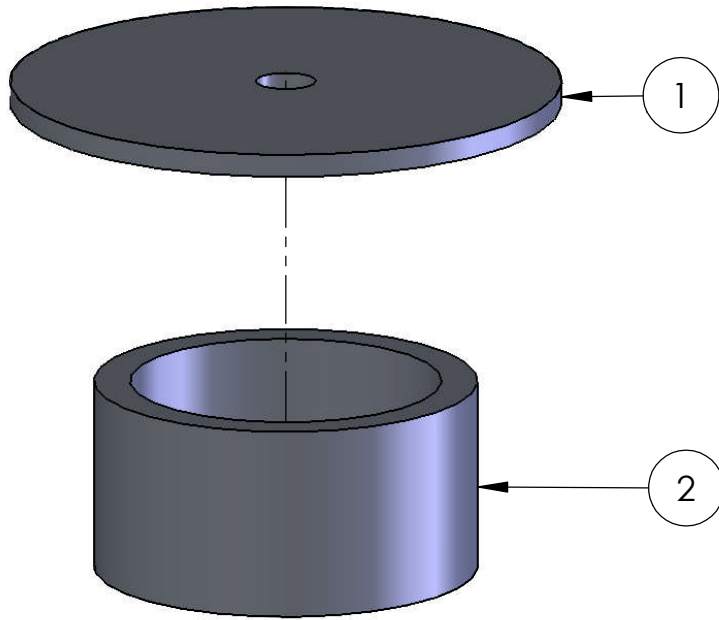
**PROPRIETY AND CONFIDENTIAL INFORMATION**

THIS DRAWING AND ALL INFORMATION CONTAINED HEREIN IS THE SOLE PROPERTY OF AQUA CREEK PRODUCTS LLC. ANY REPRODUCTION IN PART OR AS A WHOLE WITHOUT WRITTEN PERMISSION FROM AQUA CREEK IS PROHIBITED.

TOLERANCES:  
 DIMENSIONS ARE IN INCHES  
 UNLESS OTHERWISE SHOWN  
 FRACTIONAL: .....  $\pm 1/16$   
 ANGULAR: .....  $\pm 1^\circ$   
 TWO PLACE DECIMAL: ....  $\pm .01$   
 THREE PLACE DECIMAL: ..  $\pm .005$

 <p><b>AQUA CREEK PRODUCTS LLC</b>          9889 GARRYMORE LANE          MISSOULA, MT 59808          406-549-0769          1-888-687-3552</p>		
<p>DESCRIPTION:  <b>REV ANCHOR PLUG, HDPE</b></p>		
SCALE:1:1	10/30/2013	3 of 6

ITEM NO.	QTY.	PART NO.	DESCRIPTION
1	1	RVA-130-00	REV ANCHOR TOP DISC
2	1	RVA-140-00	REV ANCHOR TOP TUBE



SECTION B-B

**PROPRIETY AND CONFIDENTIAL INFORMATION**

THIS DRAWING AND ALL INFORMATION CONTAINED HEREIN IS THE SOLE PROPERTY OF AQUA CREEK PRODUCTS LLC. ANY REPRODUCTION IN PART OR AS A WHOLE WITHOUT WRITTEN PERMISSION FROM AQUA CREEK IS PROHIBITED.

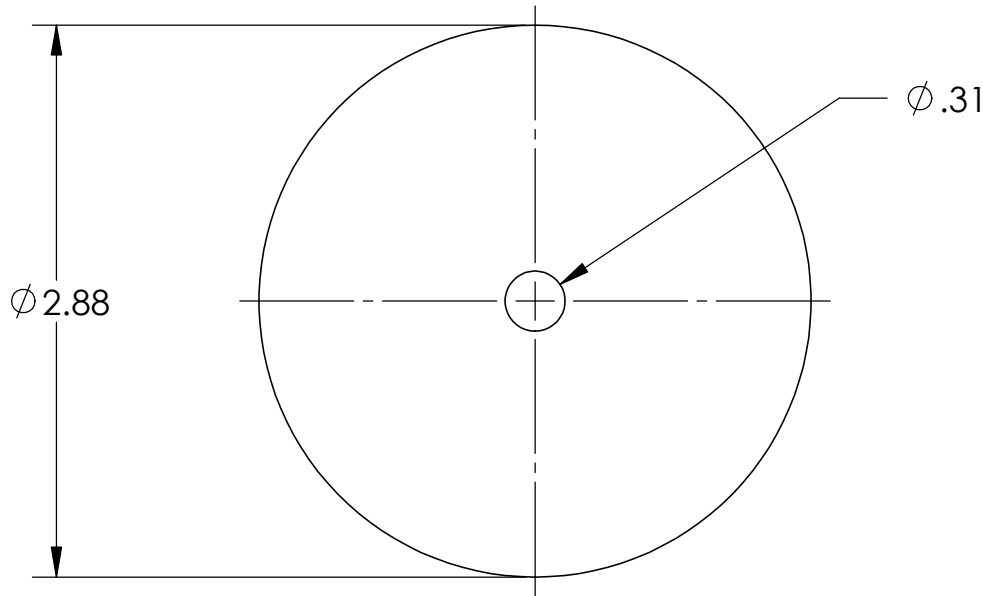
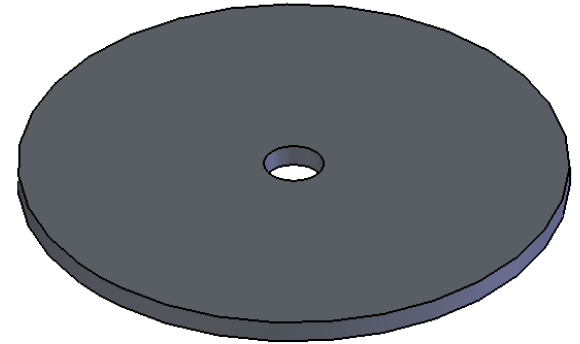
TOLERANCES:  
 DIMENSIONS ARE IN INCHES  
 UNLESS OTHERWISE SHOWN  
 FRACTIONAL: ..... ±1/16  
 ANGULAR: ..... ±1°  
 TWO PLACE DECIMAL: .... ±.01  
 THREE PLACE DECIMAL: .. ±.005

**AQUA CREEK PRODUCTS LLC**  
 9889 GARRYMORE LANE  
 MISSOULA, MT 59808  
 406-549-0769  
 1-888-687-3552

DESCRIPTION:  
**REV ANCHOR CAP**

SCALE:1:1      10/30/2013      4 of 6

REVISED 4/6/11  
 (ADDED PN'S)



REV ANCHOR TOP DISC


MATERIAL: 11 GA SHEET, TYPE 304 S.S.  
 FINISH: MILL  
 QTY: 1 PER UNIT  
 PN: RVA-130-00

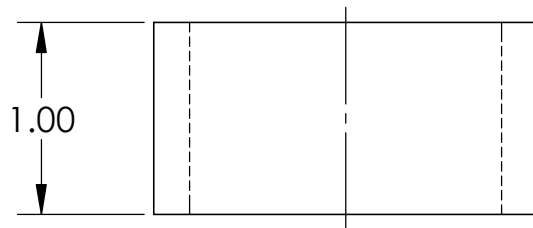
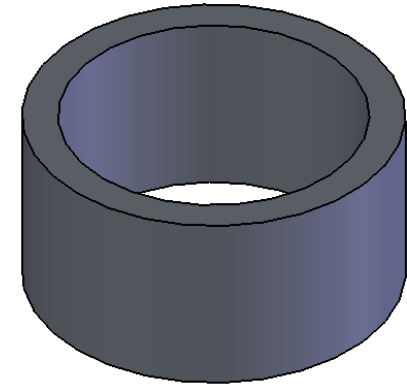
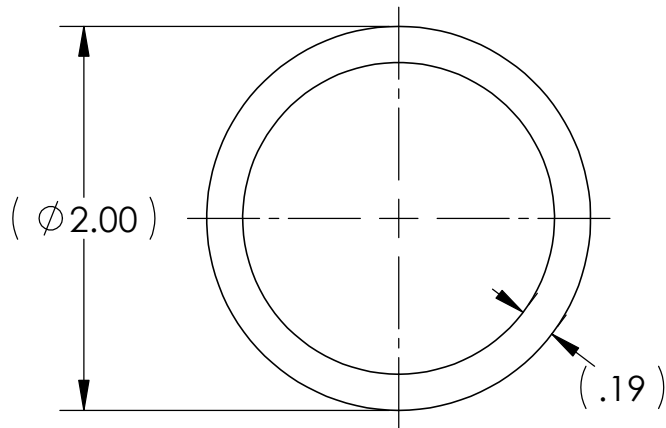
REVISED 4/6/11  
 (ADDED PN: RVA-130-00)

**PROPRIETY AND CONFIDENTIAL INFORMATION**

THIS DRAWING AND ALL INFORMATION CONTAINED HEREIN IS THE SOLE PROPERTY OF AQUA CREEK PRODUCTS LLC. ANY REPRODUCTION IN PART OR AS A WHOLE WITHOUT WRITTEN PERMISSION FROM AQUA CREEK IS PROHIBITED.

TOLERANCES:  
 DIMENSIONS ARE IN INCHES  
 UNLESS OTHERWISE SHOWN  
 FRACTIONAL: .....  $\pm 1/16$   
 ANGULAR: .....  $\pm 1^\circ$   
 TWO PLACE DECIMAL: ....  $\pm .01$   
 THREE PLACE DECIMAL: ..  $\pm .005$

 <b>AQUA CREEK PRODUCTS LLC</b> 9889 GARRYMORE LANE MISSOULA, MT 59808 406-549-0769 1-888-687-3552		
DESCRIPTION:		
RVA-130-00		
SCALE:1:1	10/30/2013	5 of 6



REV ANCHOR TOP TUBE


MATERIAL:  $\phi$  2.0" OD X .188" WALL TUBE, TYPE 304 S.S.  
 FINISH: MILL  
 QTY: 1 PER UNIT  
 PN: RVA-140-00

REVISED 4/6/11  
 (ADDED PN: RVA-140-00)

**PROPRIETY AND CONFIDENTIAL INFORMATION**

THIS DRAWING AND ALL INFORMATION CONTAINED HEREIN IS THE SOLE PROPERTY OF AQUA CREEK PRODUCTS LLC. ANY REPRODUCTION IN PART OR AS A WHOLE WITHOUT WRITTEN PERMISSION FROM AQUA CREEK IS PROHIBITED.

TOLERANCES:  
 DIMENSIONS ARE IN INCHES  
 UNLESS OTHERWISE SHOWN  
 FRACTIONAL: .....  $\pm 1/16$   
 ANGULAR: .....  $\pm 1^\circ$   
 TWO PLACE DECIMAL: ....  $\pm .01$   
 THREE PLACE DECIMAL: ..  $\pm .005$

 <p><b>AQUA CREEK PRODUCTS LLC</b>          9889 GARRYMORE LANE          MISSOULA, MT 59808          406-549-0769          1-888-687-3552</p>		
DESCRIPTION:		
RVA-140-00		
SCALE:1:1	10/30/2013	6 of 6