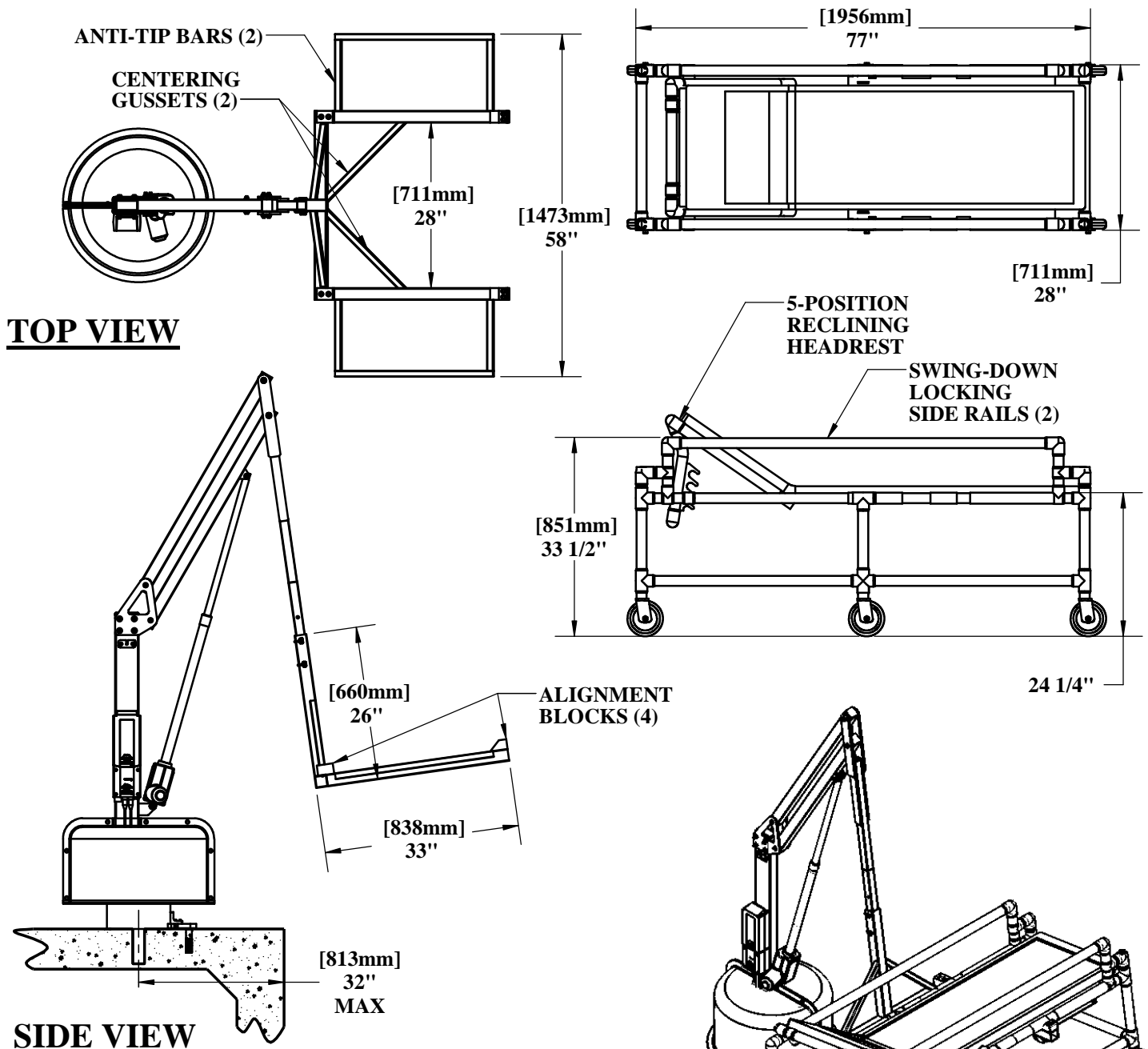
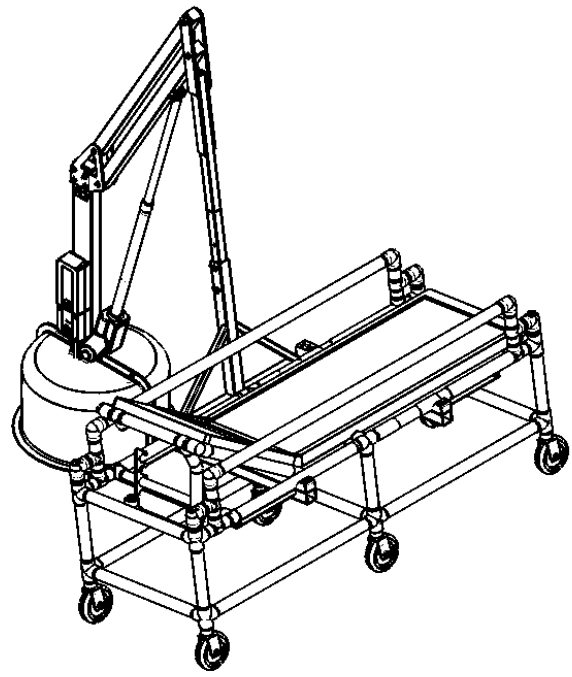


REVOLUTION GURNEY ATTACHMENT



THE REVOLUTION LIFT IS ALSO AVAILABLE WITH AN OPTIONAL STRETCHER/GURNEY ATTACHMENT FOR ADITIONAL VERSATILITY. THE STRETCHER/GURNEY ATTACHMENT IS MADE OF TYPE 304 STAINLESS STEEL, AND IS POLYESTER POWDER COATED. IT HAS BEEN DESIGNED WITH ANTI-TIP BARS, AUTO-CENTERING GUSSETS AND ALIGNMENT BLOCKS FOR WORRY-FREE, SAFE OPERATION. A PVC GURNEY IS INCLUDED, AND IS MADE ENTIRELY OF POOL/SPA FRIENDLY MATERIALS INCLUDING; FURNITURE-GRADE PVC FRAME, STAINLESS STEEL HARDWARE, MILDEW-RESISTANT BED MATERIAL AND SIX (6) 6" [152mm] STAINLESS STEEL CASTERS WITH SOLID WHEELS. THE PVC GURNEY ALSO HAS DUAL SWING-DOWN SIDE RAILS, A 5-POSITION RECLINING HEADREST, AND A WATERPROOF FOAM PAD (SEALED WITH VINYL COATING WHICH IS EASILY DISINFECTED).



9889 GARRY MORE LANE
 MISSOULA, MT 59808
 (406) 549-0769
 FAX (406) 549-2602

Aqua Creek Products
 The Total Solution for Pool and Spa Access

NOTE:
 *SPECIFICATIONS ARE SUBJECT TO CHANGE WITHOUT NOTICE
 *ALL DIMENSIONS ARE IN INCHES

PRODUCT:	F-730RSA	
DWG #:	F-730RSA-1	
SCALE:	1:26	DATE: 7/23/13
DRAWN BY:	KR	REVISION: D