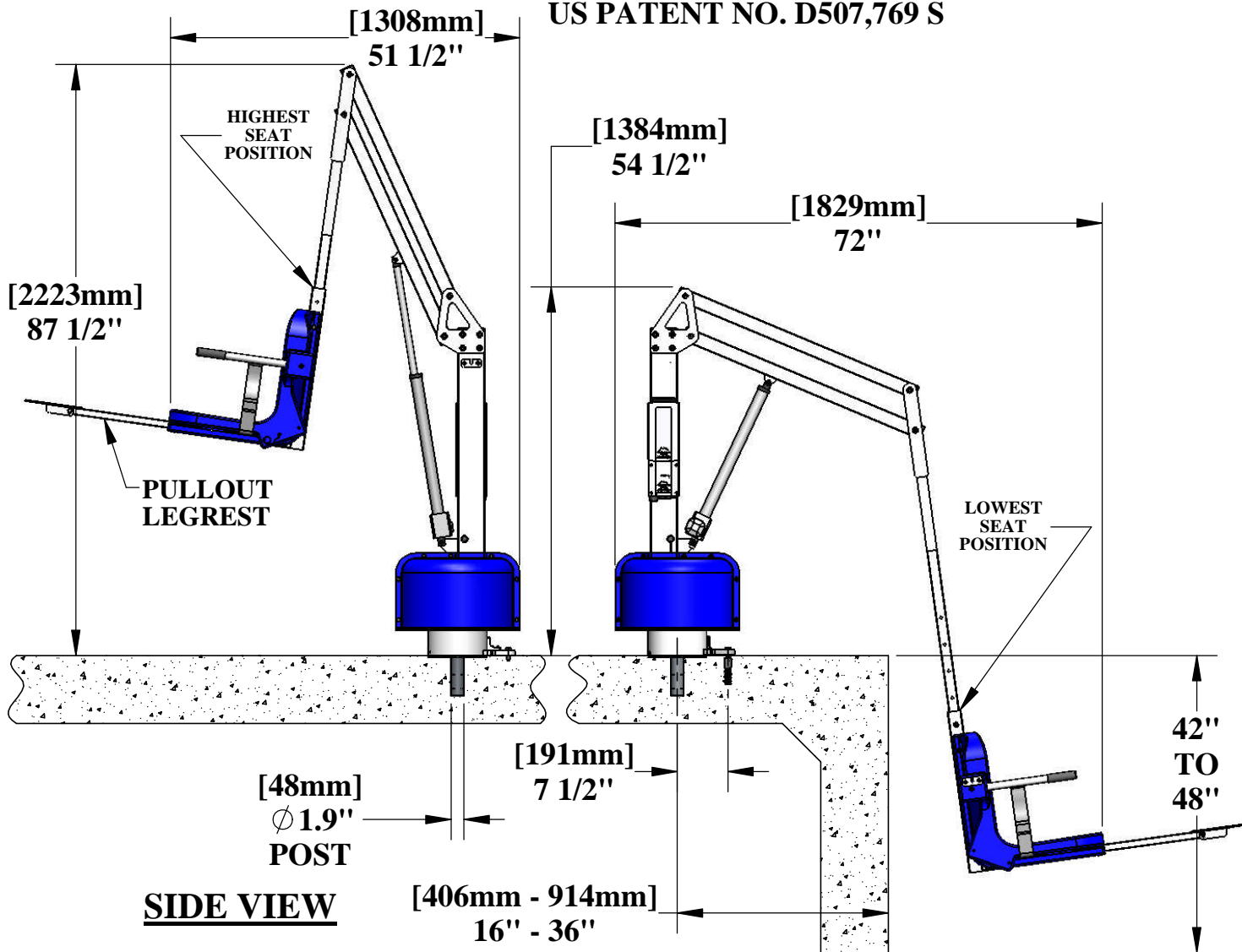


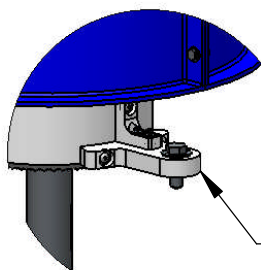
SCOUT™ HI LIFT

US PATENT NO. D507,769 S



SIDE VIEW

SIDE VIEW
(LIFT IN WATER)



FIXING ANCHOR

Inspected And Verified To Meet
Applicable Sections of ADA
Guidelines Section 1009.2 By

wyle
laboratories

A Registered ISO 9001
Laboratory



Aqua Creek Products

The Total Solution for Pool and Spa Access

9889 GARRYMORE LANE
MISSOULA, MT 59808
(406) 549-0769
FAX (406) 549-2602

NOTE:
*SPECIFICATIONS ARE SUBJECT TO CHANGE WITHOUT NOTICE

PRODUCT:	F-802SCNA-HLD	
DWG #:	F-802SCNA-HLD-1	
SCALE:	1:24	DATE: 5/23/14
DRAWN BY:	KR	REVISION: J

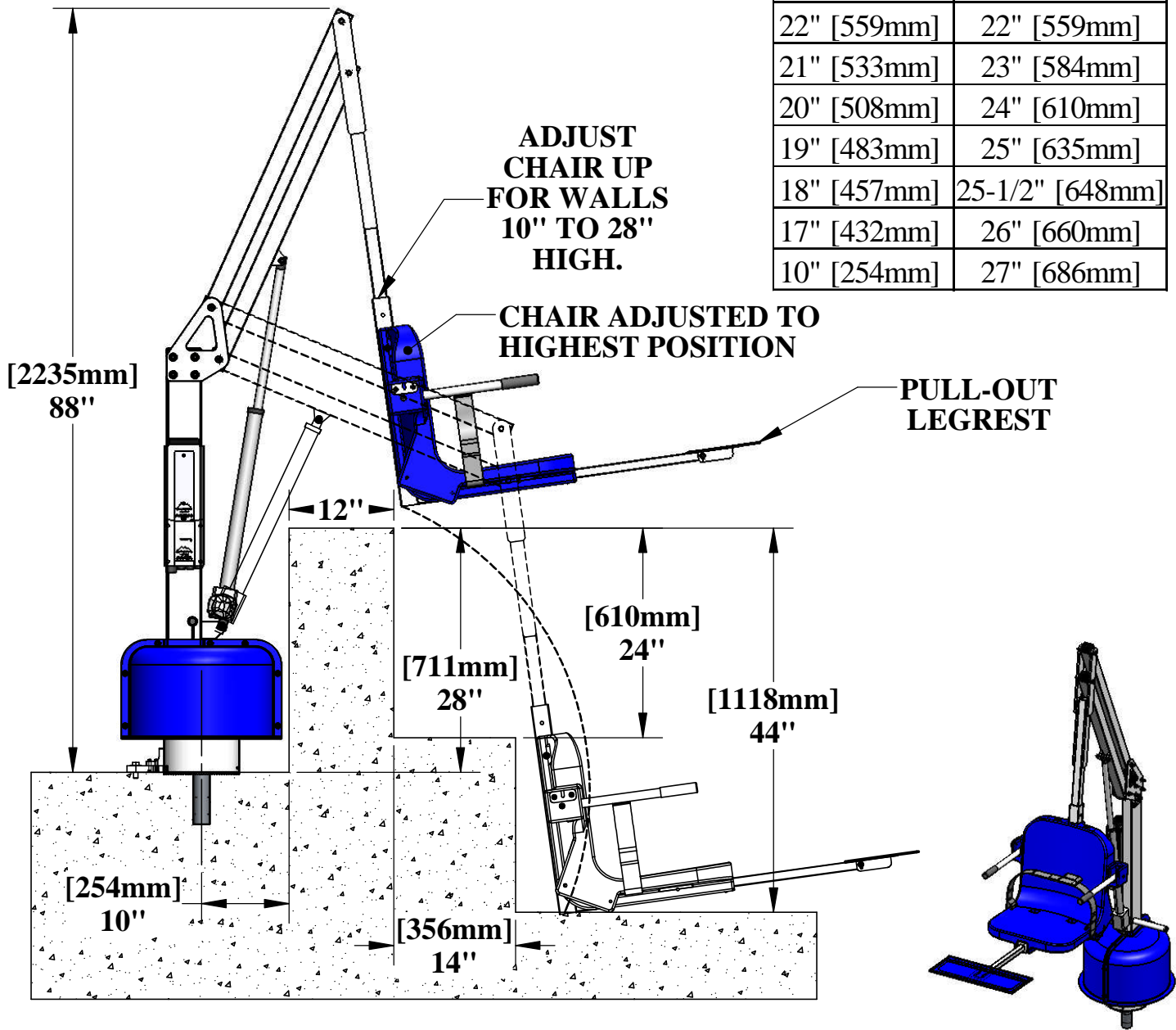
SCOUT™ HI LIFT

US PATENT NO. D507,769 S

USE THIS CHART TO DETERMINE THE MAXIMUM WALL THICKNESS FOR A GIVEN WALL HEIGHT.

FOR EXAMPLE: IF THE WALL IS 24" HIGH THE MAXIMUM WALL THICKNESS IS 20".

WALL HT.	MAX. THICKNESS
28" [711mm]	14" [356mm]
27" [686mm]	16" [406mm]
26" [660mm]	18" [457mm]
25" [635mm]	19" [483mm]
24" [610mm]	20" [508mm]
23" [584mm]	21" [533mm]
22" [559mm]	22" [559mm]
21" [533mm]	23" [584mm]
20" [508mm]	24" [610mm]
19" [483mm]	25" [635mm]
18" [457mm]	25-1/2" [648mm]
17" [432mm]	26" [660mm]
10" [254mm]	27" [686mm]



9889 GARRYMORE LANE
MISSOULA, MT 59808
(406) 549-0769
FAX (406) 549-2602

NOTE:
*SPECIFICATIONS ARE SUBJECT TO CHANGE WITHOUT NOTICE

PRODUCT:	F-802SCNA-HLD	
DWG #:	F-802SCNA-HLD-2	
SCALE:	1:18	DATE: 5/23/14
DRAWN BY:	KR	REVISION: J

