

DUAL-HANDSET KIT (AT-SERIES)

**HANDSET:
(F-100JH)**

**HANDSET BRACKET:
(PPB-HSB-00)**

**PLUG-IN
1ST HANDSET**

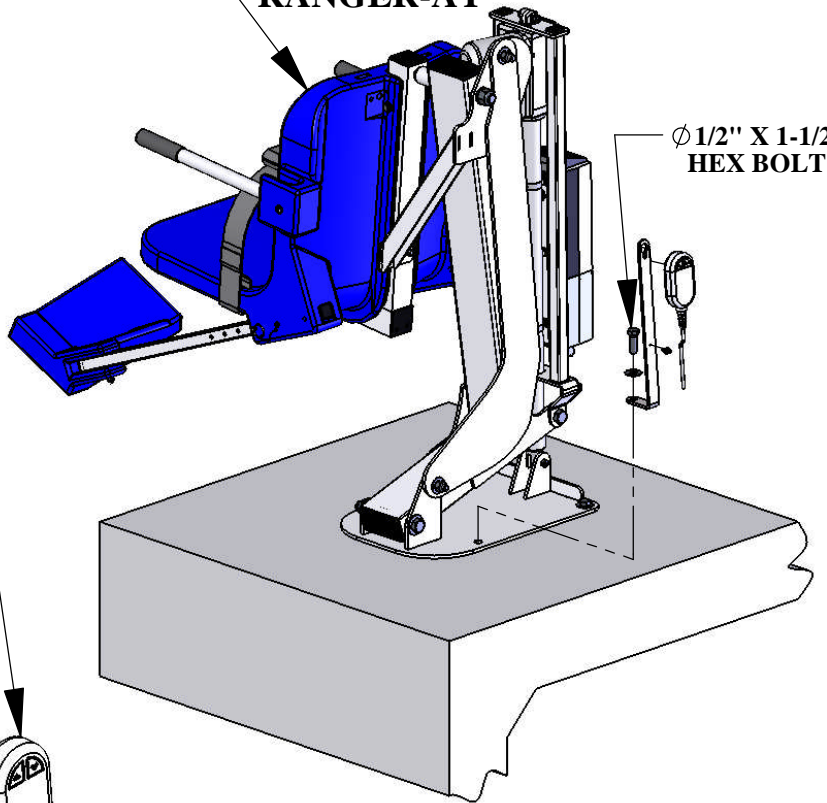
**Y-ADAPTER:
(0015412)**

**PLUG INTO
CONTROL-BOX**

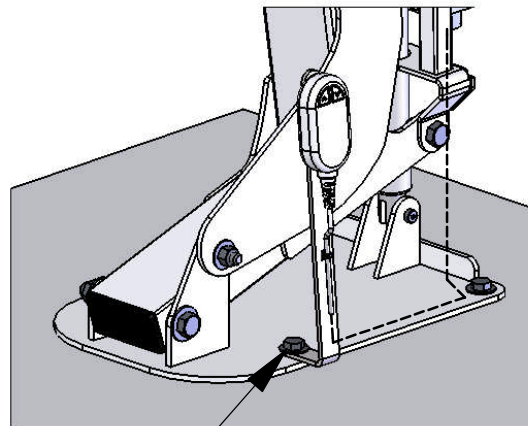
CABLE CLIP

**PRO POOL-AT (OR)
RANGER-AT**

$\phi 1/2'' \times 1-1/2''$
HEX BOLT



**INSTALL 2ND-HANDSET BRACKET
USING 1/2'' X 1-1/2'' HEX BOLT (EXISTING)**



**BACK-RIGHT
ANCHOR-BOLT**

**INSTALL IN ANCHOR-HOLE CLOSE TO POOL
SO IT CAN BE REACHED FROM THE WATER**

9889 GARRYMORE LANE
MISSOULA, MT 59808
(406) 549-0769
FAX (406) 549-2602

NOTE:
*SPECIFICATIONS ARE SUBJECT TO CHANGE WITHOUT NOTICE

PRODUCT:	F-916HS2	
DWG #:	F-916HS2-1	
SCALE:	1:6	DATE: 4/17/14
KR	KR	REVISION: C



Aqua Creek Products
The Total Solution for Pool and Spa Access