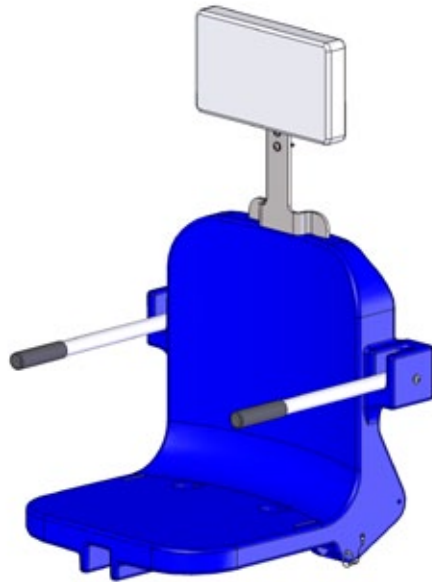


Integrated Headrest



PART #: F-422PLH-2

MANDATORY – LEAVE THIS MANUAL WITH LIFT OWNER



Read & Follow All Instructions
Lift safety can only be ensured if the lift is installed and operated according to these instructions



NEVER permit children to play on or around the lift.
Do not allow children to use the lift without adult supervision.



NEVER apply direct water pressure to the electronics



NEVER use the lift with a dry pool



For safety reasons, NEVER swim alone

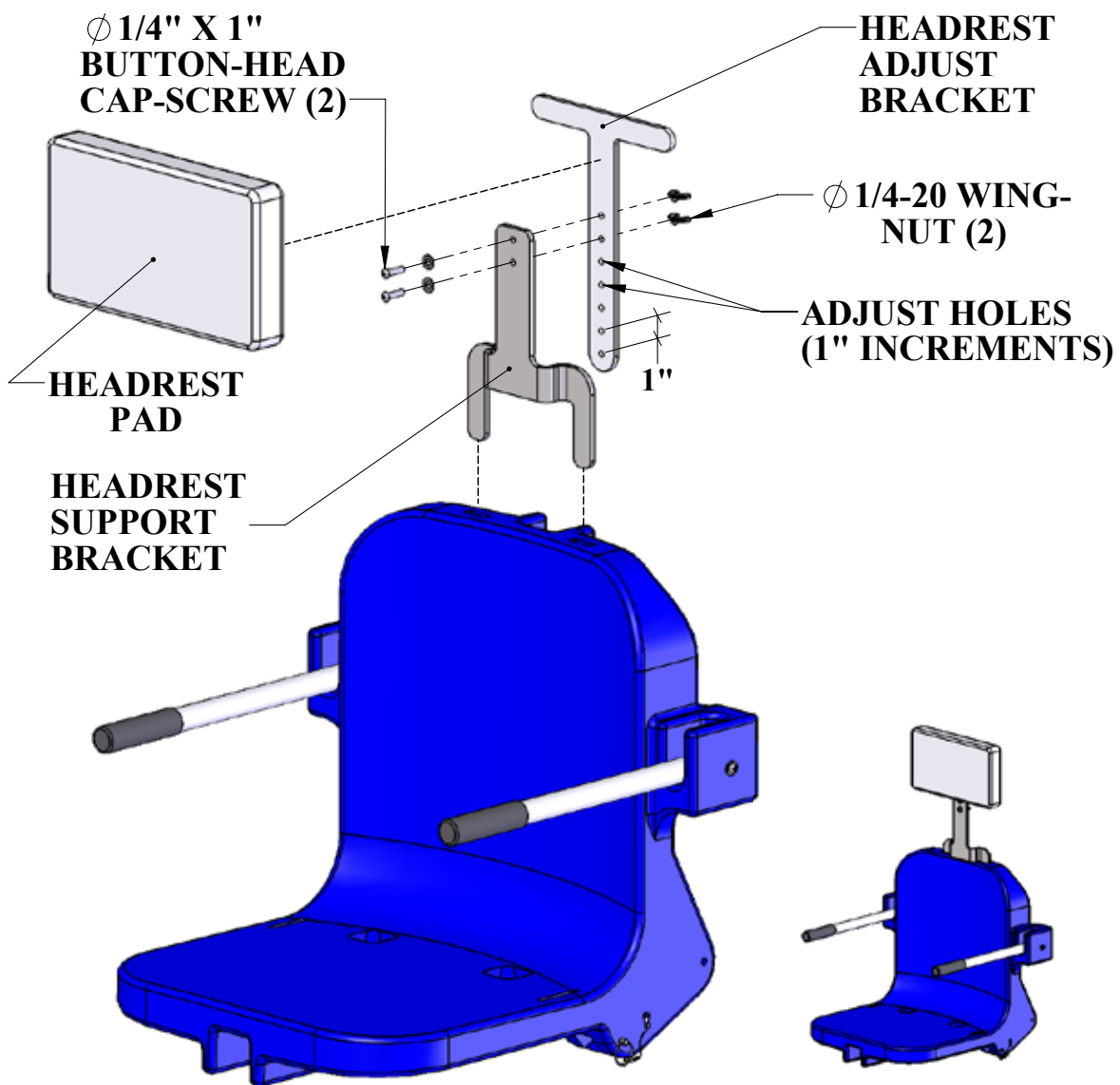
9889 Garrymore Ln
Missoula, MT 59808
888-687-3552 | +1-406-549-0769
aquacreek.com



SAVE a copy of these instructions

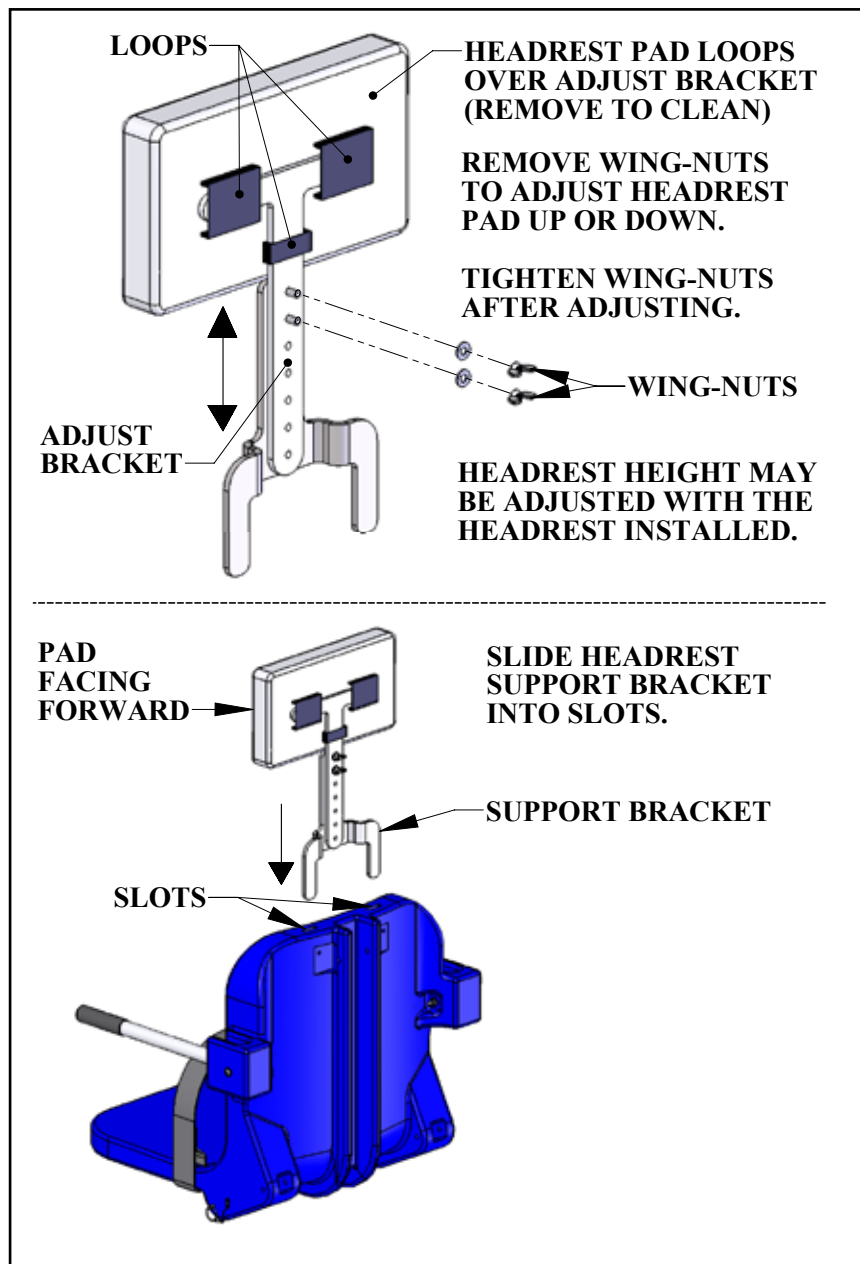
The Integrated Headrest Assembly

The INTEGRATED HEADREST ASSEMBLY attaches directly to the chair assembly, and is adjustable for optimum comfort. The components of the INTEGRATED HEADREST ASSEMBLY are shown below, along with the chair to show how it attaches. The wing-nuts allow for quick adjustment without having to remove the assembly from the chair. The headrest pad is also removable for cleaning. Look over the diagram below to familiarize yourself with the components before installing and using the INTEGRATED HEADREST ASSEMBLY.



Installing The Headrest Assembly

1] If the HEADREST PAD has not yet been installed, install it first. The pad height may be adjusted now, or after the assembly has been attached to the chair. Assemble fully as shown in the diagram to the right.



2] Slide the SUPPORT BRACKET into the slots on the top of the chair.

The INTEGRATED HEADREST ASSEMBLY is now ready to adjust and use.

NOTE: The INTEGRATED HEADREST ASSEMBLY will work on all 2nd generation 18" wide Aqua Creek Products' chairs*. The 18" chair comes standard on all Aqua Creek Products' Scout™, Ranger™, Pro Pool™ and Patriot™ pool lifts.

*(The 2nd generation 18" wide chair has the slots for the INTEGRATED HEADREST, where the 1st generation 18" wide chair does not).