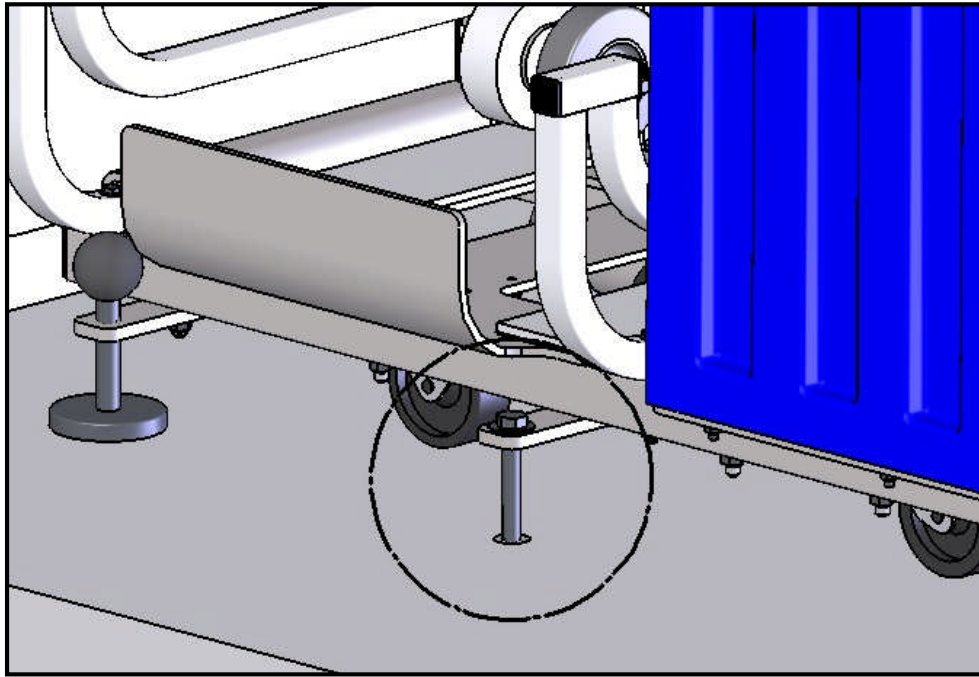


INSTALLATION INSTRUCTIONS



PATRIOT-AT™ FIXING KIT

PN: F-2PDS

MANDATORY – LEAVE THIS MANUAL WITH LIFT OWNER



The Total Solution for Pool and Spa Access

9889 GARRYMORE LANE
MISSOULA, MT 59808
1-888-687-3552
FAX: 406-549-2602

Inspected And Verified To Meet
Applicable Sections of ADA
Guidelines Section 1009.2 By

wyle
laboratories

A Registered ISO 9001
Laboratory



WARNING

IMPORTANT SAFETY INSTRUCTIONS

1. READ AND FOLLOW ALL INSTRUCTIONS. LIFT SAFETY CAN ONLY BE ENSURED IF THE LIFT IS INSTALLED AND OPERATED PROPERLY – AS PER INSTRUCTIONS.
2. WARNING- TO REDUCE RISK OF INJURY, DO NOT PERMIT CHILDREN TO USE THIS PRODUCT UNLESS THEY ARE CLOSELY SUPERVISED AT ALL TIMES.
3. WARNING- DO NOT PERMIT CHILDREN TO PLAY ON THIS PRODUCT.
4. WARNING- NEVER APPLY DIRECT WATER PRESSURE TO ELECTRONIC COMPONENTS.
5. WARNING – DO NOT OPERATE THIS LIFT IF THE DECK-TO-WATER DISTANCE IS OVER 12”.
6. WARNING – DO NOT OPERATE THIS LIFT UNDER LOAD IN A DRY POOL (NO WATER).
7. WARNING – DO NOT OPERATE THIS LIFT WITHOUT THE 10 WEIGHT-PLATES INSTALLED.
8. WARNING – FOR SAFETY REASONS YOU SHOULD NEVER SWIM ALONE!
9. SAVE A COPY OF THESE INSTRUCTIONS.

PATRIOT-AT™ FIXING KIT
TABLE OF CONTENTS

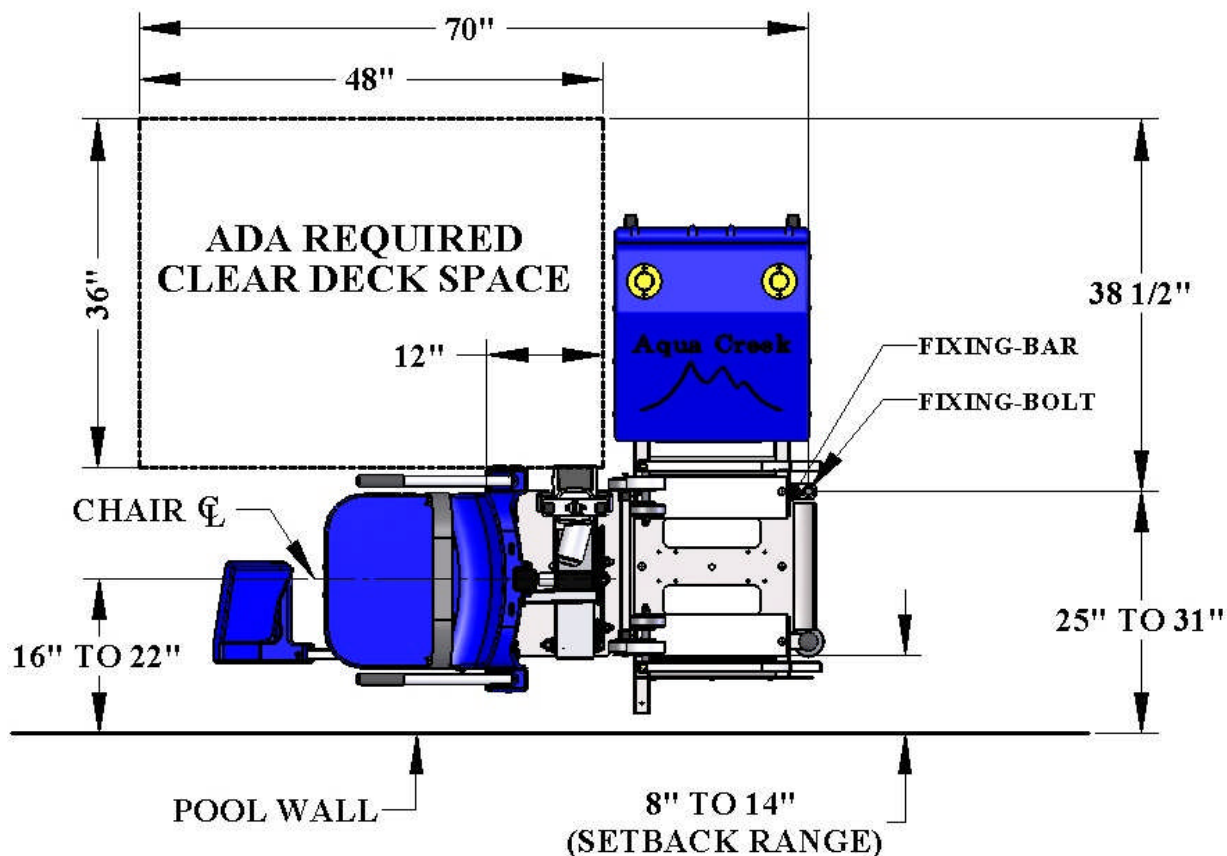
<u>PAGE</u>	<u>DESCRIPTION</u>
3	ADA INSTALLATION GUIDELINES
4	FIXING-ANCHOR INSTALLATION INSTRUCTIONS
5	INSTALLING THE FIXING BOLT
6	PARTS LIST

INSTALLATION: ADA GUIDELINES

ADA REQUIREMENTS:

The PATRIOT-AT™ portable lift is designed and manufactured to be 100% ADA compliant. But for the installed lift to be 100% compliant the installation must meet the requirement for CLEAR DECK SPACE as shown in the diagram to the left. To be compliant, install the lift at 16 inches [406mm] minimum from the pool edge to the centerline of the seat, and make sure the deck has the required CLEAR DECK SPACE as shown.

NOTE: As per ADA requirements the slope of the deck from the pool edge to the centerline of the seat and within the clear deck space must be no greater than 1:48.



NOTE: The FIXING BOLT is used to fix the portable lift in place, and to ensure that it remains in an ADA approved location. This makes the lift fully ADA compliant to the latest revision.

FIXING-ANCHOR INSTALLATION INSTRUCTIONS:

TOOLS REQUIRED:

CORE-DRILLING RIG
1-1/4" DIAMETER CORE-DRILL

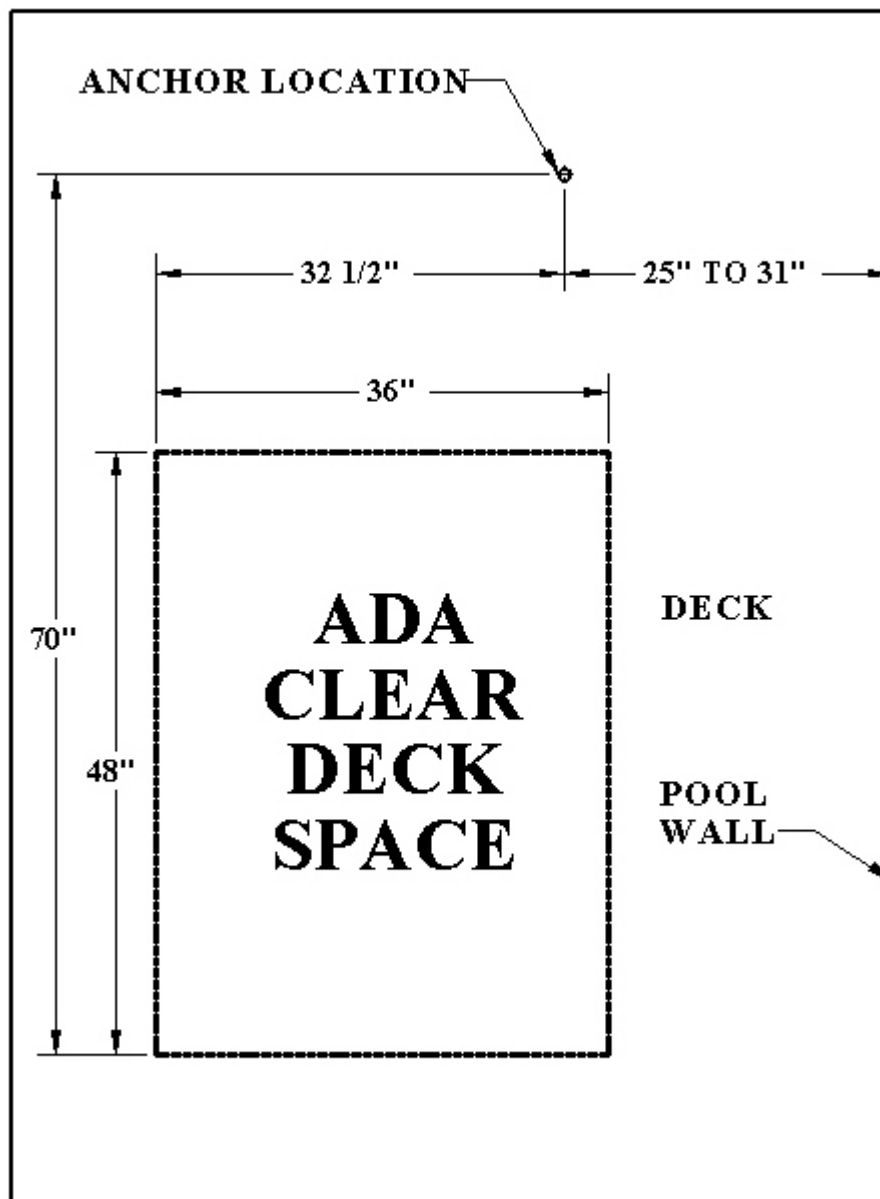
TAPE MEASURE
MARKING PEN

STEP 1] Use the diagram below to determine the location of the FIXING ANCHOR. Make sure to allow for the clear deck space as shown.

STEP 2] Mark the location for the 1-1/4" x 4" deep anchor hole. Drill a 1-1/4" diameter, 4" deep hole at the marked location.

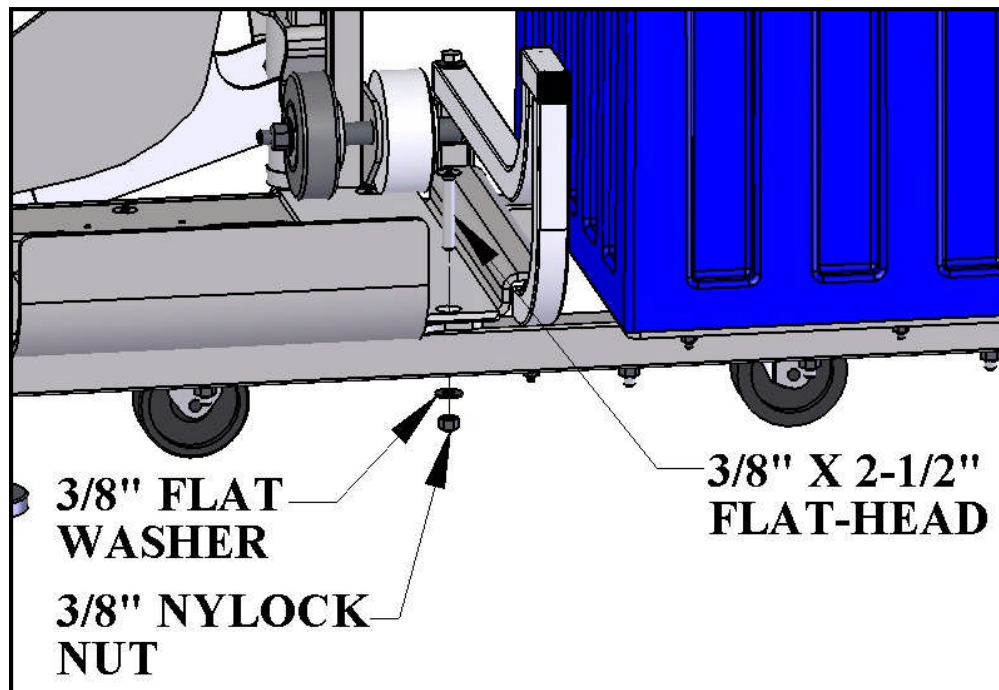
STEP 3] Dry-fit the anchor-insert to make sure it fits flush with the deck surface.

STEP 4] Fill the hole 1/2 full with epoxy. Install the anchor insert flush with the deck surface. Allow 24 hours for the epoxy to cure.

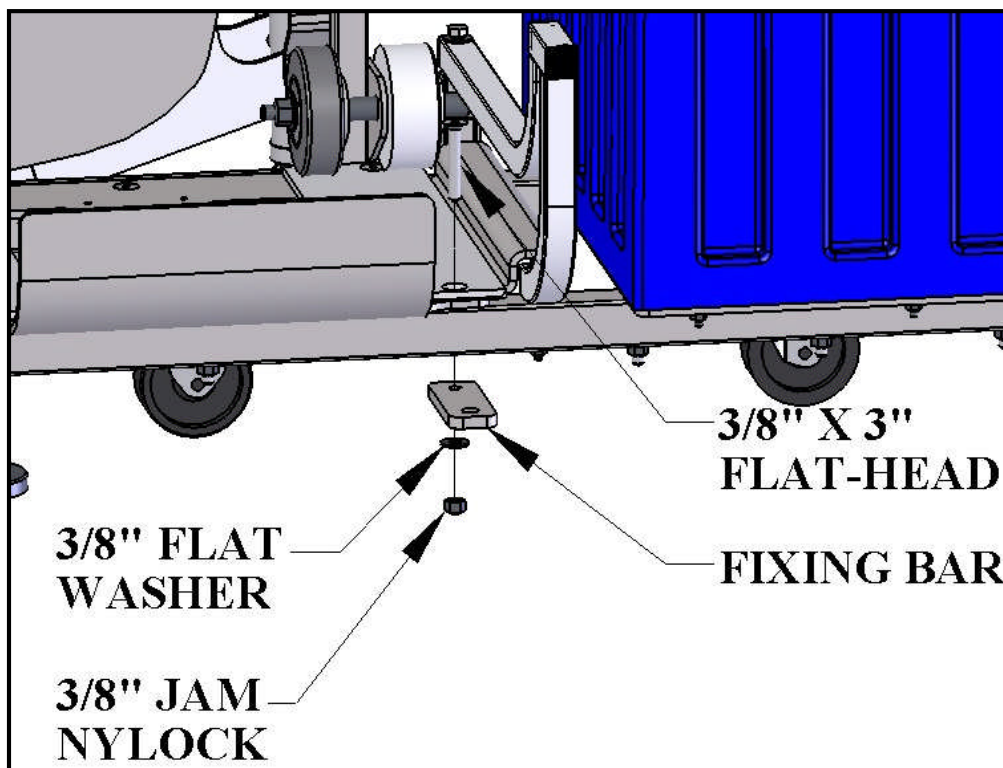


INSTALLING THE FIXING BOLT:

To connect the fixing kit to the lift you must first remove the 3/8" x 2-1/2" flat-head bolt, 3/8" flat washer and 3/8" nylock nut from the cart.



Then, using the supplied 3/8" x 3" flat-head bolt, 3/8" flat washer and 3/8" jam nylock, install the fixing bar to the lift.

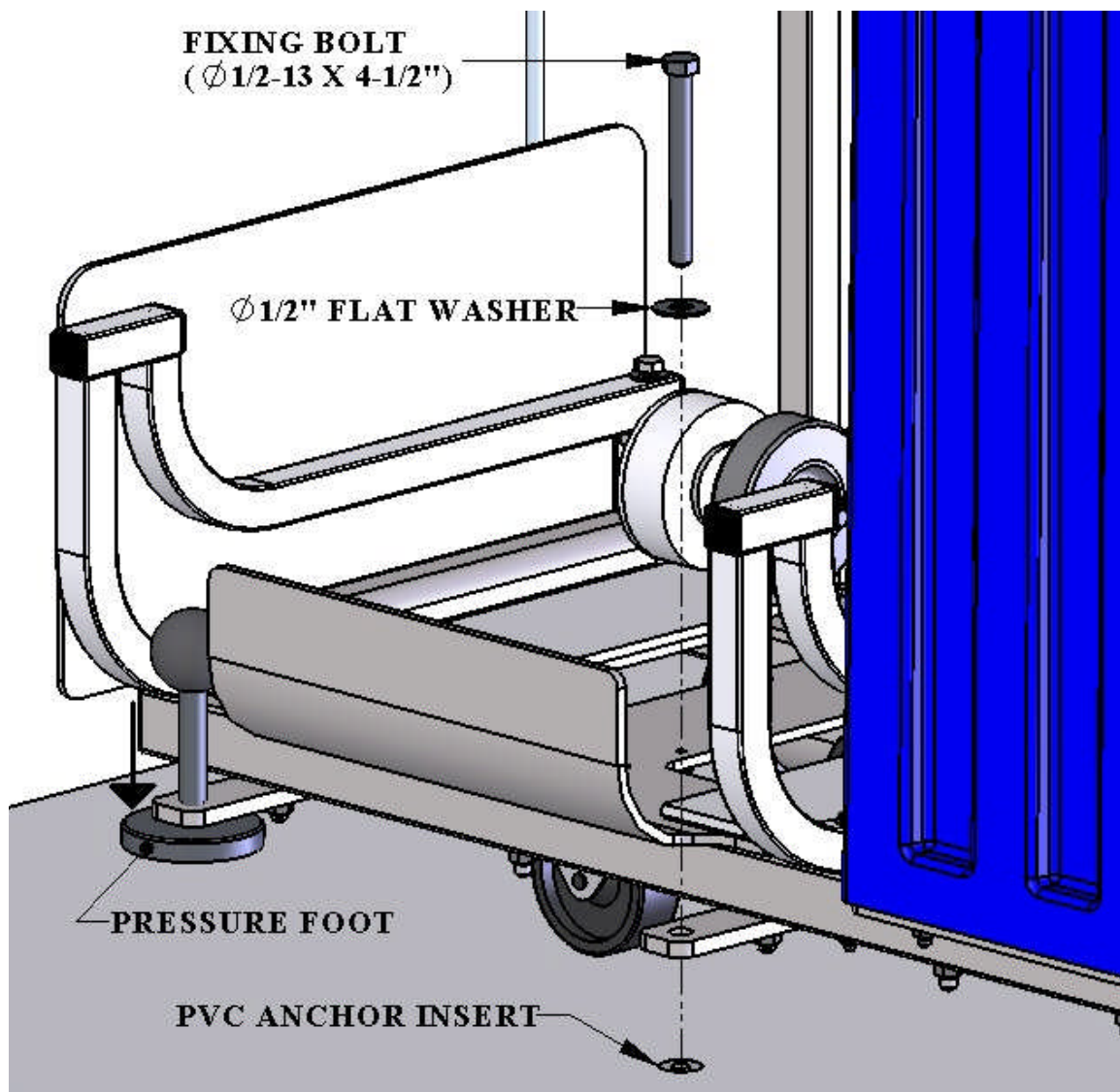


When the FIXING-BOLT is utilized to ensure proper placement of the portable lift the following procedure should be used when placing the unit in position on the deck.

STEP 1: Roll the portable cart over the installed anchor. Look straight down through the FIXING BAR to align the anchor with the FIXING BAR.

STEP 2: Drop the 1/2" x 4-1/2" FIXING BOLT into the FIXING BAR and start to thread the bolt into the anchor by hand. Adjust the alignment until the bolt threads in a couple of threads by hand. This is to ensure that the bolt is properly aligned before threading with a wrench.

STEP 3: Tighten the FIXING BOLT with a 3/4" wrench or socket. Tighten until the bolt is just touching the flat washer. **DO NOT OVERTIGHTEN.**



PARTS LIST

ITEM NO.	QTY.	PART NUMBER	DESCRIPTION
1	1	P-0138PCFB-REVA	PORTABLE CART PF BRACKET
2	1	FLAT WASHER, 3/8 SS	3/8" FLAT WASHER, SS
3	1	FLAT WASHER, 1/2 SS	1/2" FLAT WASHER, SS
4	1	BOLT, 1/2 X 4 1/2 HCS, SS	1/2"-13 X 4-1/2" HEX BOLT, SS
5	1	BOLT, 3/8 X 3 FHSCS, SS	3/8"-16 X 3" FLAT-HEAD CAP SCREW, SS
6	1	NYLOCK, 3/8-16 JAM	3/8"-16 JAM NYLOCK, SS
7	1	P-7205ANB	1" X 4" ANCHOR BOLT, PVC

