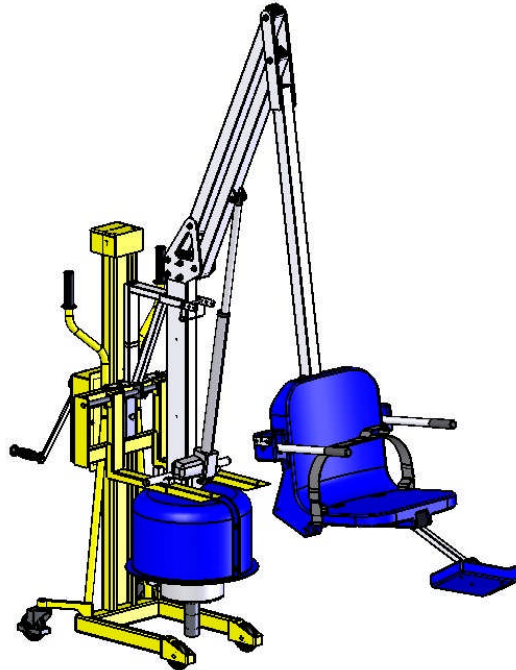




Aqua Creek Products

The Total Solution for Pool and Spa Access



OPERATING INSTRUCTIONS SCOUT TRANSPORT CART



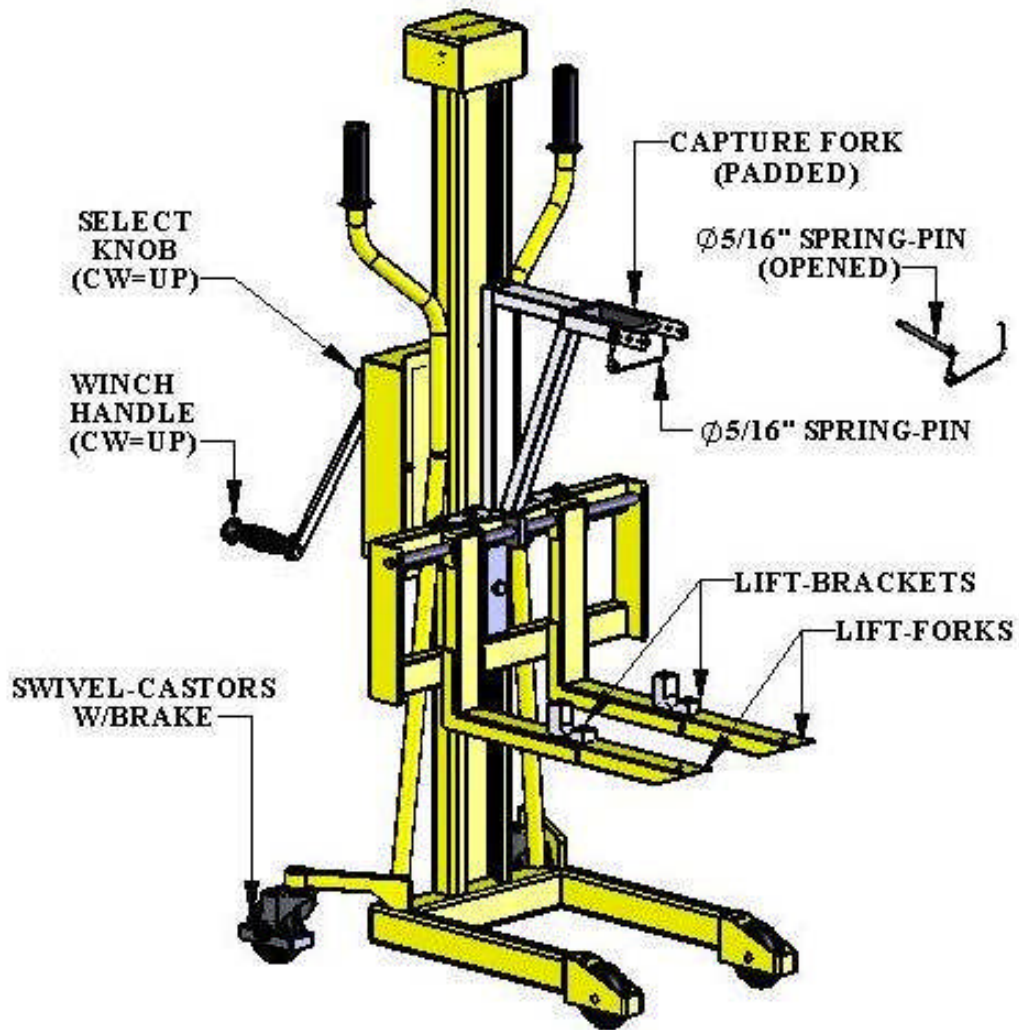
WARNING

IMPORTANT SAFETY INSTRUCTIONS

- 1. WARNING- TO REDUCE RISK OF INJURY, DO NOT PERMIT CHILDREN TO USE THIS PRODUCT UNLESS THEY ARE CLOSELY SUPERVISED AT ALL TIMES.**
- 2. WARNING- DO NOT PERMIT CHILDREN TO PLAY ON THIS PRODUCT.**
- 3. SAVE A COPY OF THESE INSTRUCTIONS.**

AQUA CREEK PRODUCTS
9889 GARRY MORE LANE
MISSOULA, MT 59808
1-888-687-3552
FAX: 406-549-2602

SCOUT TRANSPORT CART: MAIN FEATURES

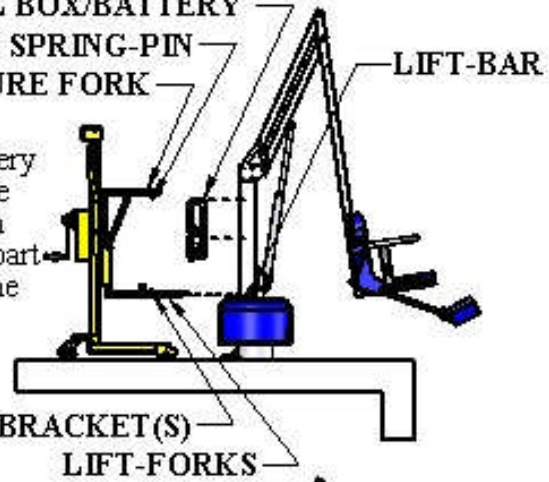


OPERATING INSTRUCTIONS:

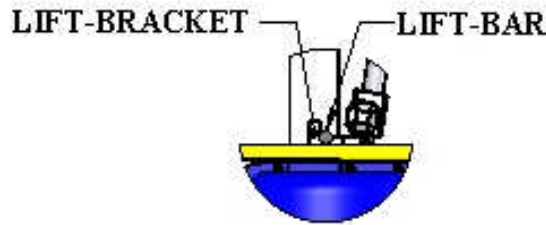
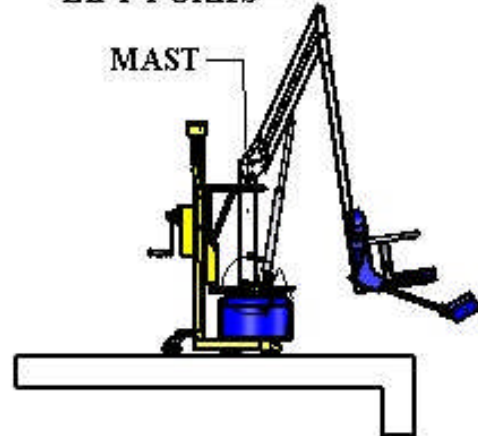
NOTE: BEFORE USING THE CART FOR THE FIRST TIME READ THIS SECTION COMPLETELY AND FAMILIARIZE YOURSELF WITH THE FEATURES OF THE TRANSPORT CART.

REMOVE CONTROL BOX/BATTERY
REMOVE SPRING-PIN
CAPTURE FORK

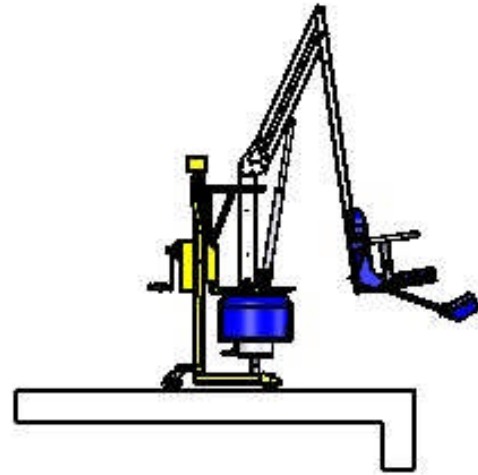
STEP 1: Raise the lift to its highest position. Carefully remove the Control Box/Battery from the mast. Rotate the lift so that the cart can roll up behind the lift as shown. The lift-forks should be about 1-foot apart and about 16" off the floor. Remove the spring-pin from the capture fork.



STEP 2: Roll the cart into position, until the capture-fork is around the mast and the lift-brackets are under the lift-bar as shown. Replace the spring-pin to hold the lift in place.



STEP 3: Turn the select-knob clockwise to put the cart in "lift" mode. Turn the winch-handle clockwise to raise the lift up and out of the anchor. If the lift won't move shake the mast to loosen it in the anchor and turn the handle until the lift comes out of the anchor. Raise the lift until free as shown. The lift is now ready for transportation.



Aqua Creek Products, LLC Limited One Year Product Warranty: **POOL & SPA LIFT TRANSPORT SYSTEMS**

Aqua Creek Products, LLC (a.k.a. Aqua Creek) warrants to the original end user purchaser that products manufactured by Aqua Creek, when properly installed in accordance with assembly and installation instructions and properly used and maintained, shall be free from defects in material and workmanship for a period of **one (1) year from the date of original purchase**, provided that Aqua Creek receives prompt notice in writing of any defect or failure and satisfactory proof thereof, with the following exceptions:

Exceptions:

- This warranty specifically excludes reimbursement for labor to remove, repair, or install the product and any freight charges.
- This warranty does not cover any damages due to accident, misuse, abuse, negligence or failure to properly maintain any products, or normal wear and tear from day to day operations.
- In the event that any products are altered, repaired, or improperly installed by anyone without the prior written approval by Aqua Creek, all warranties are void.

To initiate a warranty claim, the owner of an Aqua Creek product must provide the place of purchase, in writing, with a full description of the product, its serial number, the dates of purchase and installation, and the exact nature of the defect. Within thirty (30) days after receipt of a written warranty claim by Aqua Creek, and barring any unforeseen delays, the place of purchase will be notified of Aqua Creek's decision regarding the claim. All warranty calculations are from date of original purchase at manufacturer's suggested retail price.

If requested by Aqua Creek, any defective product must be returned, freight prepaid, to Aqua Creek's designated factory location or duly appointed distributor for inspection and/or repair. Aqua Creek will, at its option, repair or replace the failed or defective item, and deliver the repaired product or replacement to the seller of the product, freight prepaid to the destination provided for in the original order. Products returned to Aqua Creek for which Aqua Creek provides replacement under this limited warranty shall become the property of Aqua Creek.

A new warranty period shall NOT be established for the repaired or replaced products. Such products shall remain under warranty only for the remainder of the original warranty period on the original products purchased.

This written limited warranty constitutes the final, complete and exclusive statement of warranty terms. No person or organization is authorized to make any other specific or implied warranties or representations on behalf of Aqua Creek.

THE WARRANTIES SET FORTH HEREIN ARE IN LIEU OF ALL OTHER WARRANTIES, EXPRESSED OR IMPLIED, WHICH ARE HEREBY DISCLAIMED AND EXCLUDED, INCLUDING WITHOUT LIMITATION ANY WARRANTY OF MERCHANTABILITY OR FITNESS FOR A PARTICULAR PURPOSE OR USE.

THE SOLE AND EXCLUSIVE REMEDIES FOR BREACH OF ANY AND ALL WARRANTIES WITH RESPECT TO THE PRODUCTS SHALL BE LIMITED TO REPAIR OR REPLACEMENT AT AQUA CREEK'S DESIGNATED FACTORY LOCATION, OR DULY APPOINTED DISTRIBUTOR, OR IN PLACE AT AQUA CREEK'S OPTION. IN NO EVENT SHALL AQUA CREEK'S LIABILITY EXCEED THE ENTIRE AMOUNT PAID TO AQUA CREEK BY THE ORIGINAL PURCHASER FOR THE FAILED OR DEFECTIVE PRODUCT.

IN NO EVENT SHALL AQUA CREEK PRODUCTS, LLC BE LIABLE FOR ANY INCIDENTAL, CONSEQUENTIAL, SPECIAL, INDIRECT, PUNITIVE OR EXEMPLARY DAMAGES OR LOST PROFITS FROM ANY BREACH OF THIS LIMITED WARRANTY OR OTHERWISE.

Aqua Creek Products, LLC
9889 Garrymore Lane
Missoula, MT 59808
Toll Free: (888) 687-3552
Local/Intnl: (406) 549-0769
www.aquacreek.com