

THE SCOUT™ POOL LIFT

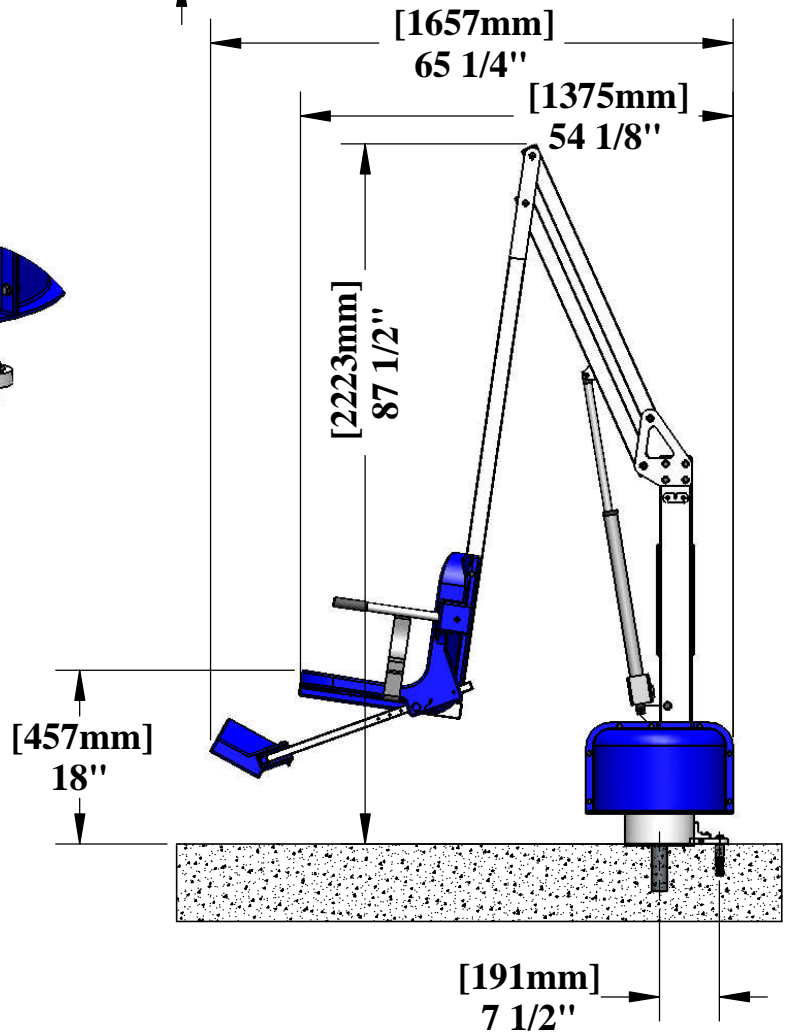
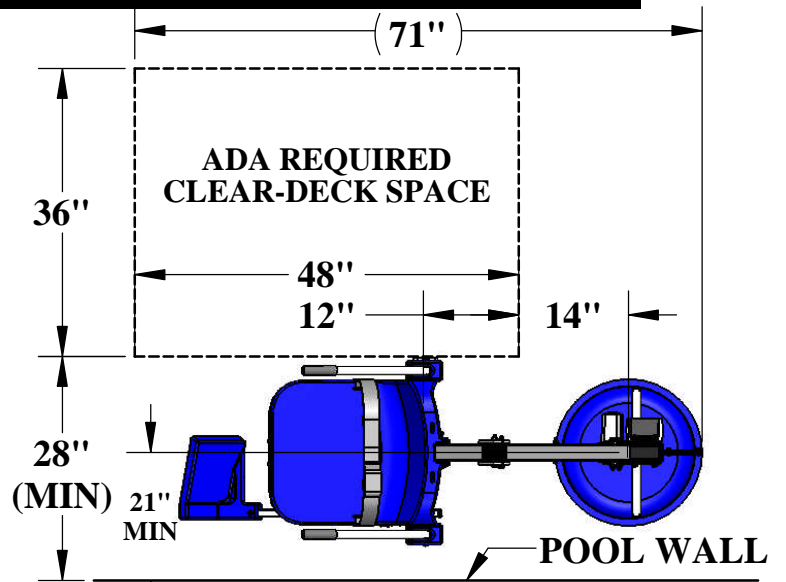
US PATENT NO. D507,769 S

FLIP-UP
ARMRESTS

SAFETY
BELT

FOOTREST

Ø 1.9" X 6" POST
FIXING ANCHOR



Inspected And Verified To Meet
Applicable Sections of ADA
Guidelines Section 1009.2 By

wyle
laboratories

A Registered ISO 9001
Laboratory

9889 GARRYMORE LANE
MISSOULA, MT 59808
(406) 549-0769
FAX (406) 549-2602

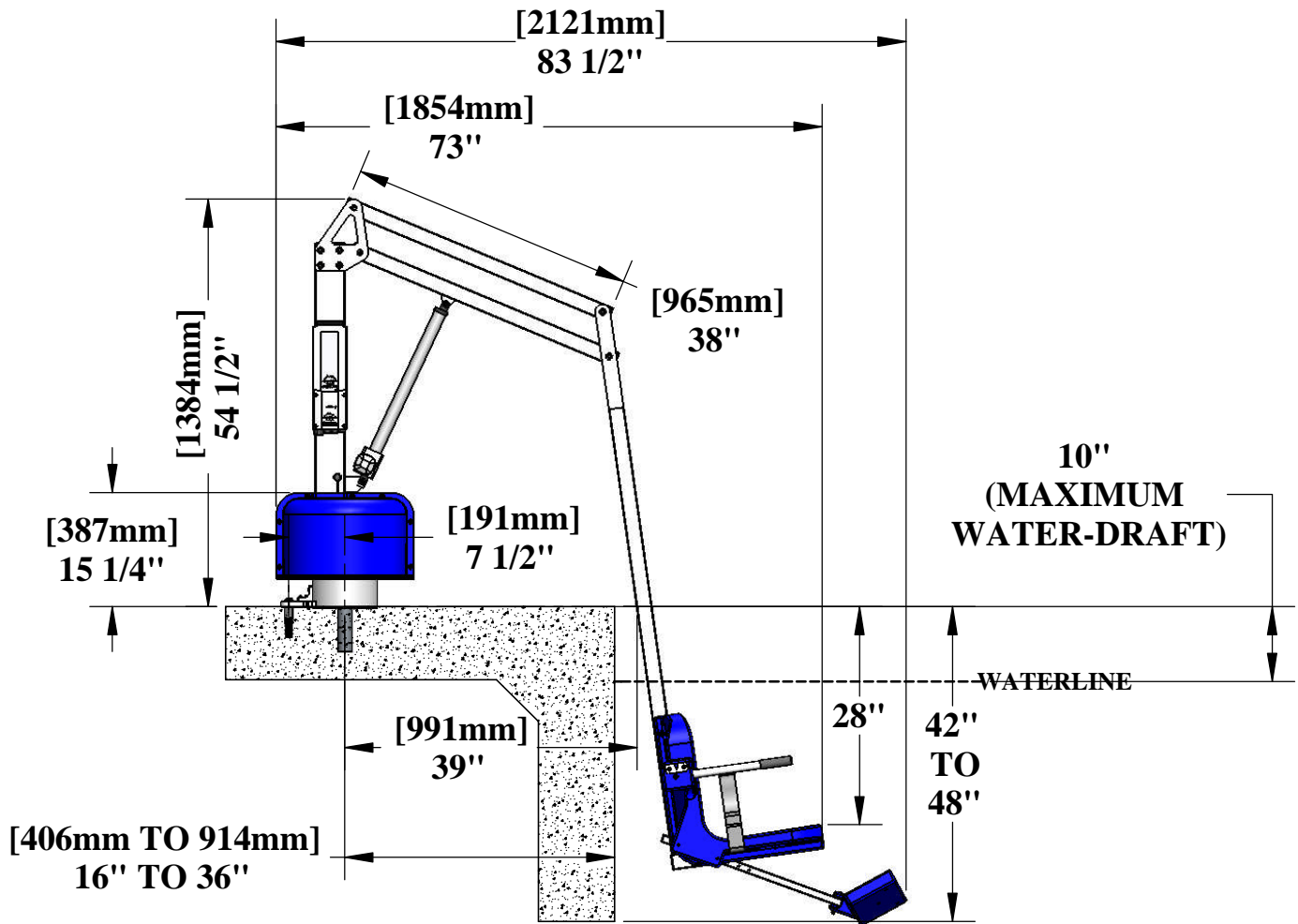
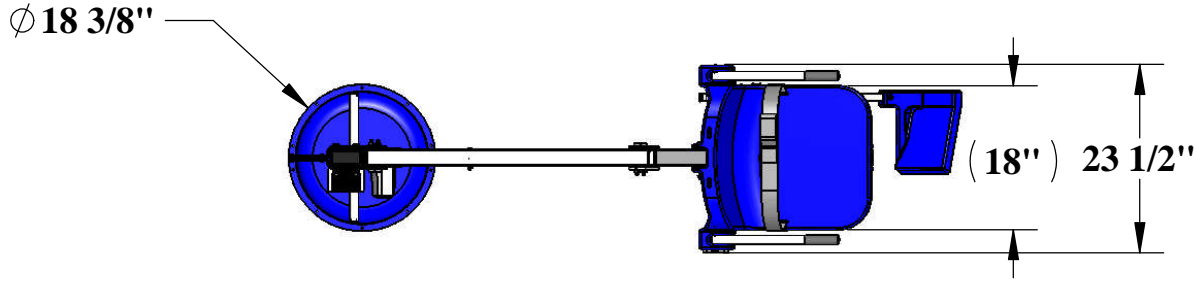
NOTE:
*SPECIFICATIONS ARE SUBJECT TO CHANGE WITHOUT NOTICE

| | | |
|-----------|-----------------|---------------|
| PRODUCT: | F-800SC-DER-D | |
| DWG #: | F-800SC-DER-D-1 | |
| SCALE: | 1:24 | DATE: 5/23/14 |
| DRAWN BY: | KR | REVISION: I |

Aqua Creek Products
The Total Solution for Pool and Spa Access

THE SCOUT™ POOL LIFT

US PATENT NO. D507,769 S



Aqua Creek Products
 The Total Solution for Pool and Spa Access

9889 GARRYMORE LANE
 MISSOULA, MT 59808
 (406) 549-0769
 FAX (406) 549-2602

NOTE:
 *SPECIFICATIONS ARE SUBJECT TO CHANGE WITHOUT NOTICE

| | | |
|-----------|-----------------|---------------|
| PRODUCT: | F-800SC-DER-D | |
| DWG #: | F-800SC-DER-D-2 | |
| SCALE: | 1:24 | DATE: 5/23/14 |
| DRAWN BY: | KR | REVISION: I |

THE SCOUT™ POOL LIFT

US PATENT NO. D507,769 S

SPECIFICATIONS:

*LIFTING CAPACITY: 350lbs [159kg]
STATIC LOAD CAPACITY: 525 lbs [238kg]

MAXIMUM WATER DRAFT (DECK TO WATER): 10" [254mm]
MAXIMUM SETBACK: 36" [914mm]

WEIGHT: 175 lbs [79 kg]

MATERIALS:

BASE: TYPE 304 STAINLESS STEEL, PVC, CONCRETE, RUBBER
MAST & ARMS: TYPE 304 STAINLESS STEEL
CHAIR & FOOTREST: LOW-DENSITY POLYETHYLENE
SAFETY BELT: HEAVY-DUTY POLYESTER STRAP, HOOK & LOOK FASTENER
POWDER COATING: OFF-WHITE POLYESTER [PN: 1PC-108-1912 BX50]
FIXING ANCHOR-TAB: HIGH-DENSITY POLYETHYLENE
FIXING BOLT: ϕ 1/2"-13 X 2", 316 SS

STANDARD EQUIPMENT:

DUAL FLIP-UP ARMRESTS
FLIP-UP FOOTREST
18" WIDE CHAIR

24V BATTERY & CHARGER
WATER RESISTANT HANDSET/REMOTE
SAFETY BELT

AVAILABLE OPTIONS:

ϕ 1.9" ID X 6" BRONZE ANCHOR, SCOUT
HEADREST ASSEMBLY
PULLOUT LEGREST
COVER (NON-LOCKABLE)
COVER (LOCKABLE)
TRANSPORT CART

PART NUMBER

F-808SA
F-722HRR
F-105LAR
F-450SC
F-450SC-AC
F-814SCTC

ANCHOR ADAPTERS:

| | | |
|-------------|-----------------|-------|
| "SPLASH" | (2-1/2" SQUARE) | F-820 |
| "LIFEGUARD" | (2-1/2" ID) | F-822 |
| "ELKHORN" | (2-3/8" ID) | F-824 |
| "HOYER" | (2-5/8" ID) | F-826 |

*NOTE: LIFTING CAPACITY IS 300lbs [136kg] WITH ANCHOR ADAPTERS

9889 GARRYMORE LANE
MISSOULA, MT 59808
(406) 549-0769
FAX (406) 549-2602

NOTE:
*SPECIFICATIONS ARE SUBJECT TO CHANGE WITHOUT NOTICE



Aqua Creek Products

The Total Solution for Pool and Spa Access

| | | | |
|-----------|-----------------|-----------|---------|
| PRODUCT: | F-800SC-DER-D | | |
| DWG #: | F-800SC-DER-D-3 | | |
| SCALE: | 1:1 | DATE: | 5/23/14 |
| DRAWN BY: | KR | REVISION: | I |