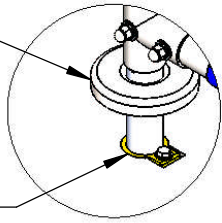


POOL ACCESS STEPS (3-STEP)

COVER
PLATE

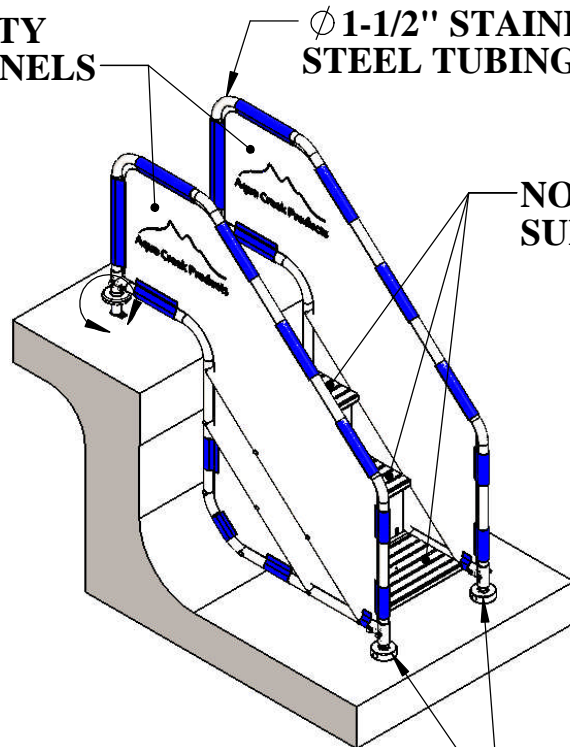


WEDGE
ANCHOR

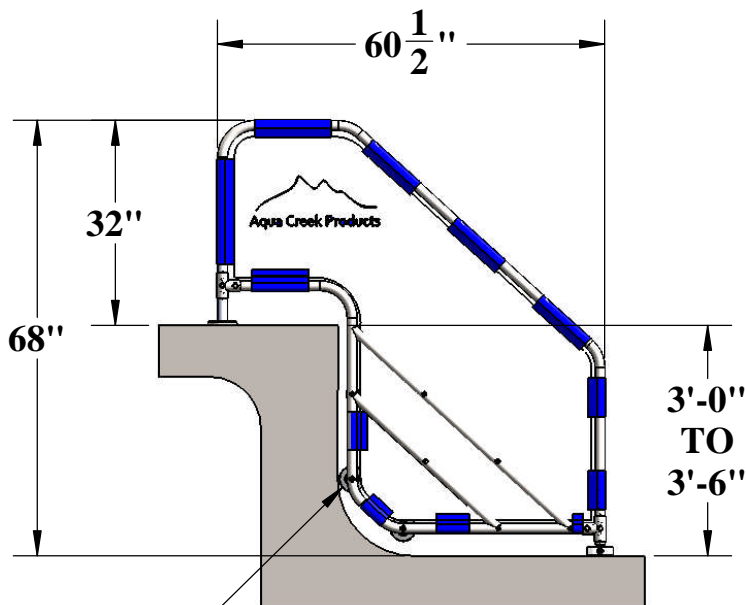
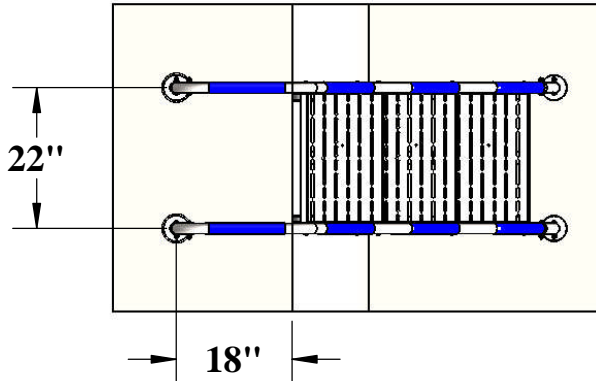
SAFETY
SIDE-PANELS

Ø 1-1/2" STAINLESS-
STEEL TUBING (304)

NON-SLIP
SURFACE

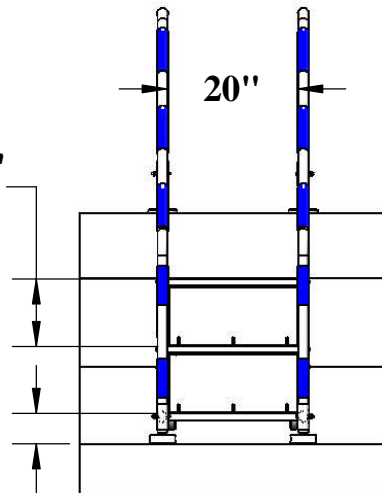


ADJUSTABLE
PLASTIC-FEET



Ø 4" WHEELS (4)
(FOR TRANSPORT)

10 1/2"
TYP



ADJUSTABLE

9889 GARRYMORE LANE
MISSOULA, MT 59808
(406) 549-0769
FAX (406) 549-2602

NOTE:
*SPECIFICATIONS ARE SUBJECT TO CHANGE WITHOUT NOTICE



Aqua Creek Products
The Total Solution for Pool and Spa Access

PRODUCT:	F-3T22	
DWG #:	F-3T22-1	
SCALE:	1:30	DATE: 7/12/13
DRAWN BY:	KR	REVISION: B

POOL ACCESS STEPS (3-STEP)

SPECIFICATIONS:

FRAME MATERIAL: TYPE 304 STAINLESS STEEL

FINISH: EPOXY POWDER COAT, OFF-WHITE

SAFETY SIDE-PANELS: HEAVY-DUTY POLYESTER FABRIC

HANDRAIL SIZE: ϕ 1-1/2" OD (OUTSIDE DIAMETER)

POOL DEPTH RANGE: 36" TO 42" [3'-0" TO 3'-6"]

RISER HEIGHT: 10-1/2" (TOP THREE STEPS EQUAL, LAST STEP ADJUSTABLE)

ANCHORS: BRONZE, ϕ 1.5" ID x 4" DEEP, WEDGE TYPE

ANCHOR SPACING: 20" APART, 18" FROM POOL WALL (SETBACK)

WHEELS: FOUR (4) 4" DIAMETER x 1-1/2" WHEELS, PLASTIC

STEP TREADS: POLYPROPYLENE, NON-SLIP SURFACE

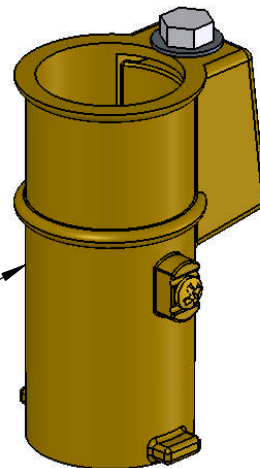
RISER PANELS & FEET: HIGH-DENSITY POLYETHYLENE (HDPE)

DIMENSIONS: 60-1/2" x 24" x 68" (L x W x H), RAIL HEIGHT 32"

WEIGHT: 115 LBS

WEIGHT CAPACITY: 400 LBS

**4" WEDGE ANCHOR
ASSEMBLY (2)
INCLUDED**



9889 GARRYMORE LANE
MISSOULA, MT 59808
(406) 549-0769
FAX (406) 549-2602

NOTE:
*SPECIFICATIONS ARE SUBJECT TO CHANGE WITHOUT NOTICE

PRODUCT:	F-3T22	
DWG #:	F-3T22-2	
SCALE:	1:2	DATE: 7/12/13
DRAWN BY:	KR	REVISION: B